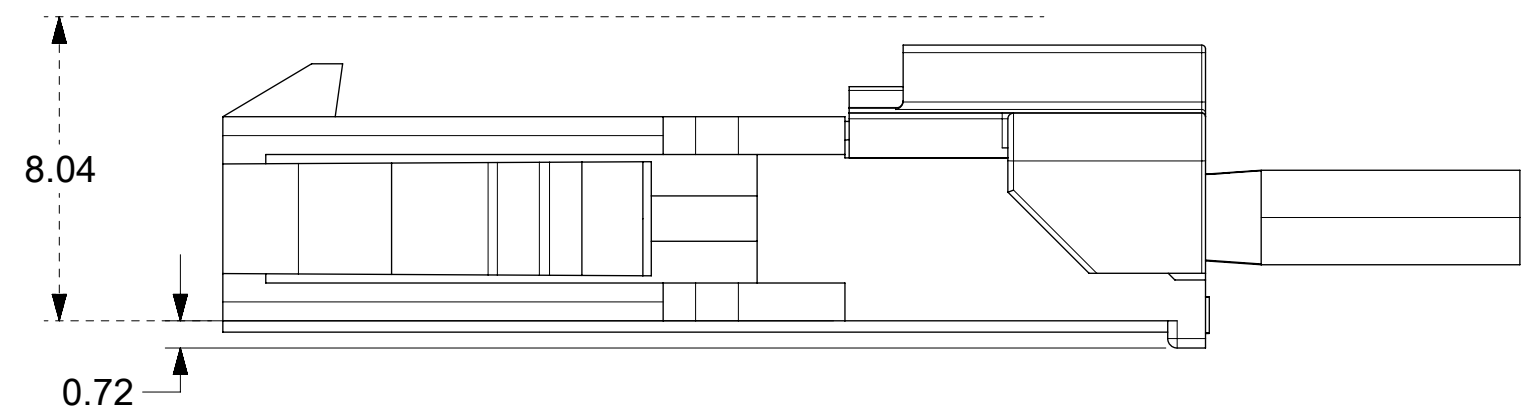
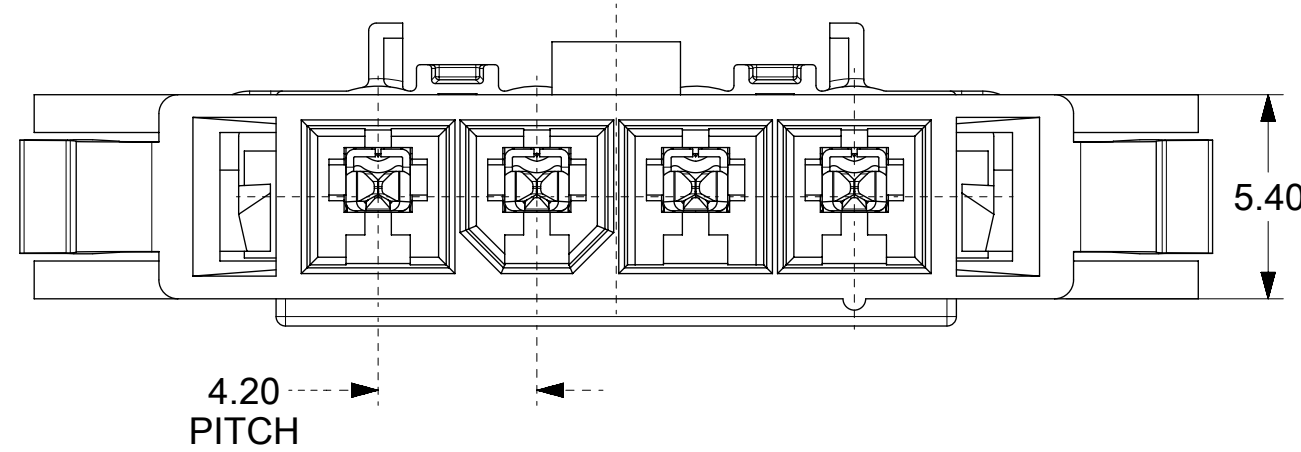
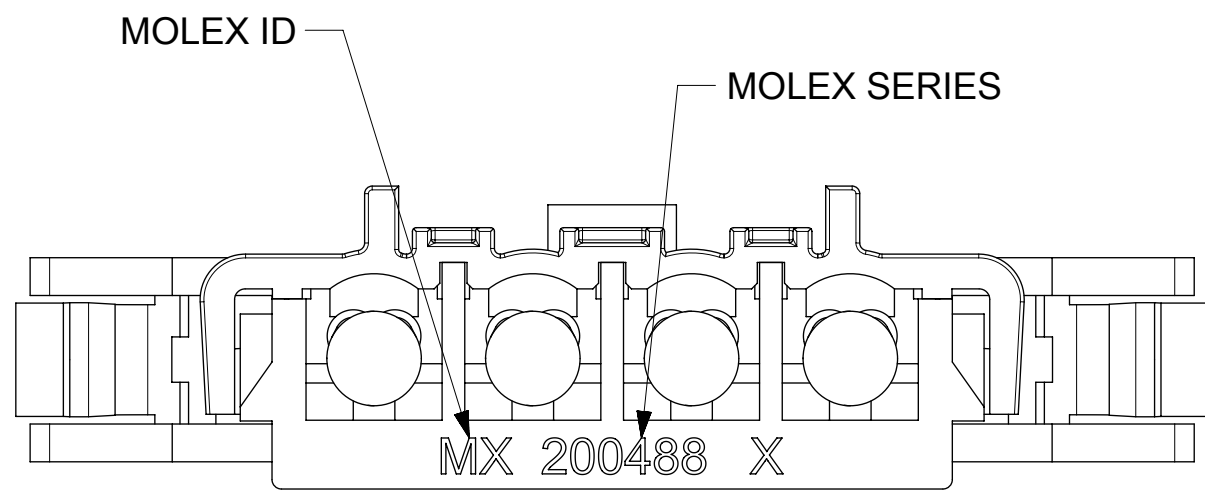
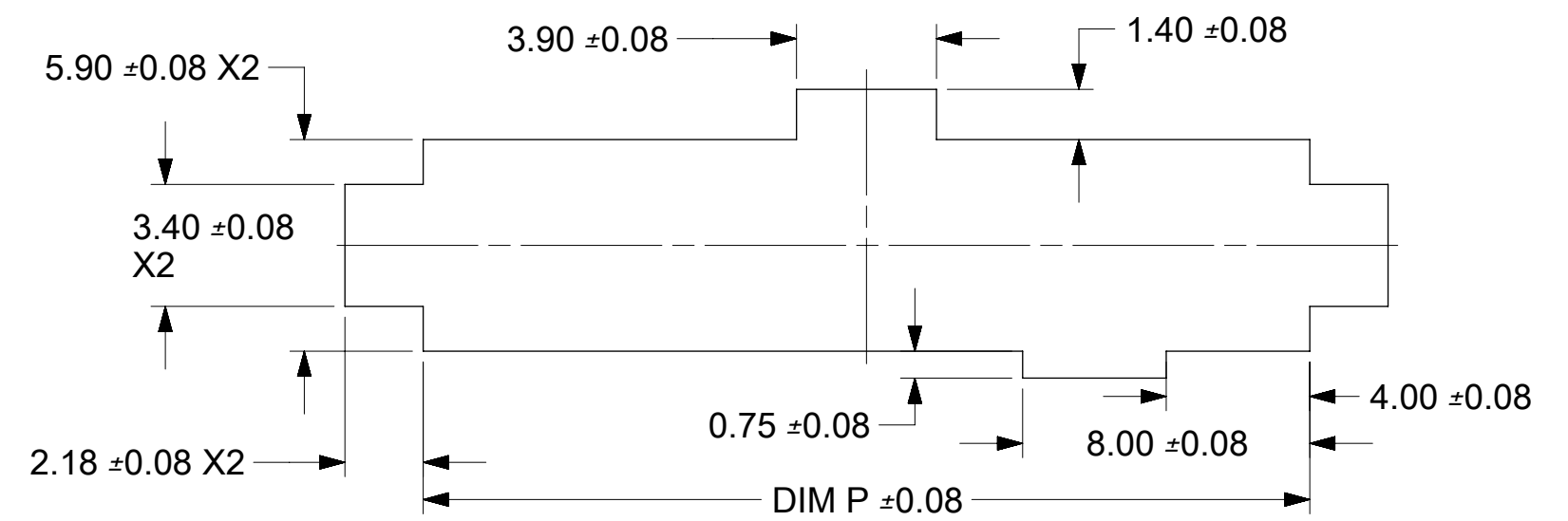
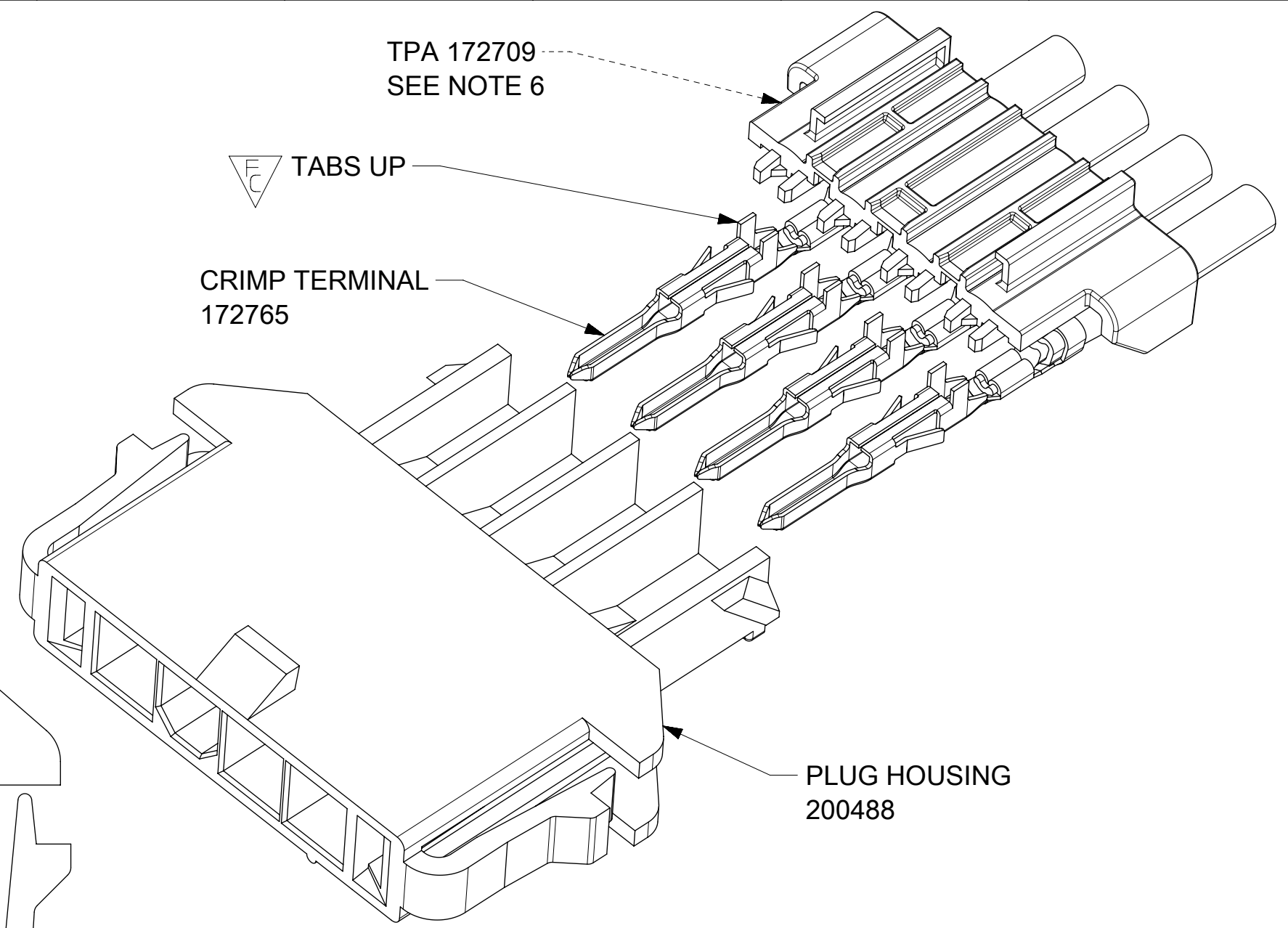
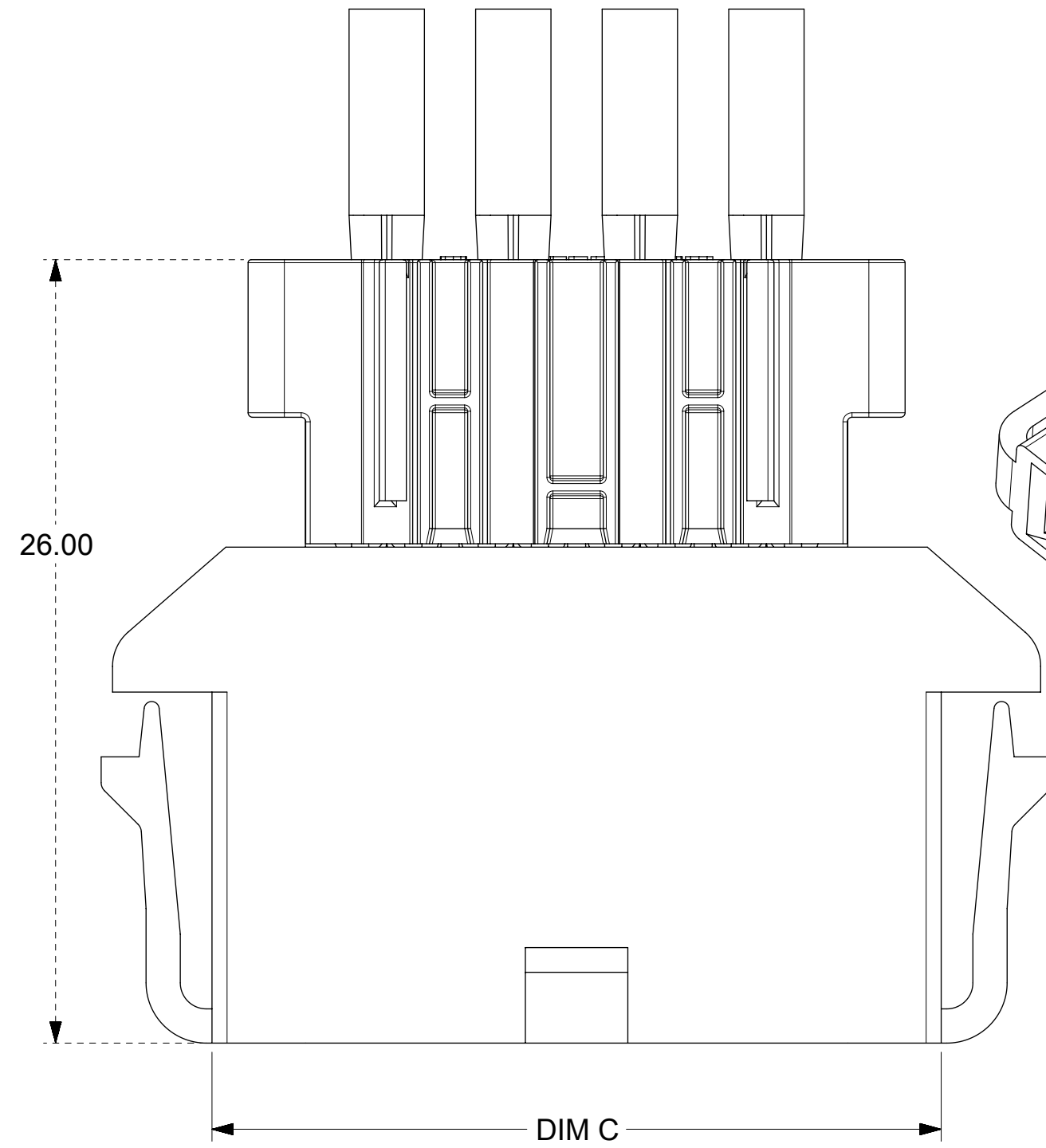


PART NUMBER	CKTS	DIM C	DIM P	MATERIAL
2004880002	2	15.80	16.30	A
2004880102	2	15.80	16.30	B
2004880202	2	15.80	16.30	C
2004880003	3	20.00	20.50	A
2004880103	3	20.00	20.50	B
2004880203	3	20.00	20.50	C
2004880004	4	24.20	24.70	A
2004880104	4	24.20	24.70	B
2004880204	4	24.20	24.70	C
2004880005	5	28.40	28.90	A
2004880105	5	28.40	28.90	B
2004880205	5	28.40	28.90	C
2004880006	6	32.60	33.10	A
2004880106	6	32.60	33.10	B
2004880206	6	32.6	33.10	C



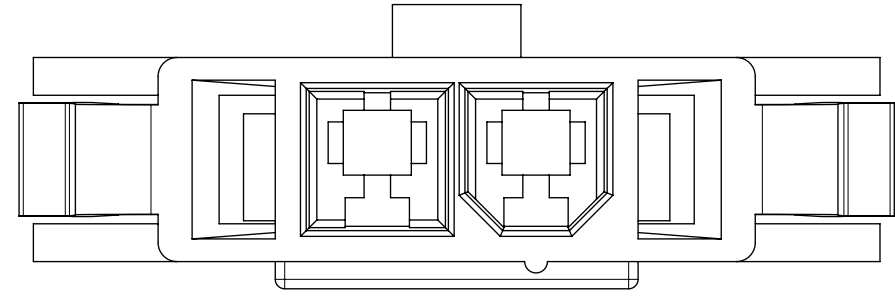
NOTES:

- MATERIAL:  
'A' = NYLON V-0, LOW HALOGEN, COLOR: BLACK  
'B' = NYLON V-2, GLOW WIRE CAPABLE, COLOR: BLACK  
'C' = NYLON V-2; COLOR: BLACK
- FINISH: NONE
- PRODUCT SPECIFICATION: PS-172718-0000  
APPLICATION SPECIFICATION: AS-172718-0000
- PACKAGING SPECIFICATION:  
2004880000-PK
- THIS HOUSING TO BE USED WITH MALE TERMINAL SERIES 172765 AND TPA SERIES 172709.
- THIS PRODUCT MUST BE USED WITH THE TPA INSTALLED.
- THIS PART MATES WITH SERIES 5557 & 200453.
- THIS PART CONFORMS TO CLASS 'B' REQUIREMENTS OF COSMETIC SPECIFICATION PS-45499-002.
- FOR BLACK 'B' MATERIAL USE CLASS C GATE BLIMISH SPEC.

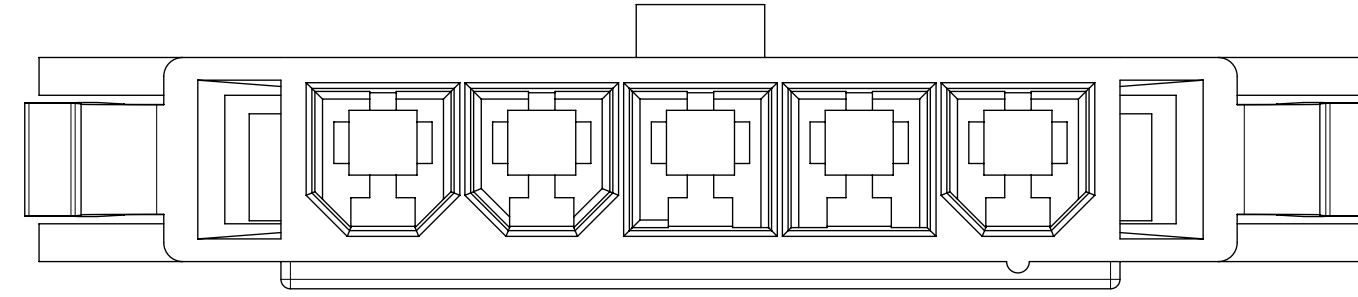
QUALITY SYMBOLS	THIS DRAWING CONTAINS INFORMATION THAT IS PROPRIETARY TO MOLEX ELECTRONIC TECHNOLOGIES, LLC AND SHOULD NOT BE USED WITHOUT WRITTEN PERMISSION			DIMENSION UNITS	SCALE	<b>molex</b>
▽ = 0	GENERAL TOLERANCES (UNLESS SPECIFIED)	mm	5:1	DRWN BY	DATE	
▽ = 2	ANGULAR TOL ± 0.5 °	4 PLACES ±	TGREGORI	2016/10/18	CHKD BY	DATE
▽ = 0		3 PLACES ±	TGREGORI	2016/10/18	APPR BY	DATE
▽ = 0		2 PLACES ± 0.13	RHODGE	2016/10/20	PRODUCT CUSTOMER DRAWING	
▽ = 0		1 PLACE ± 0.2	DRAWING SIZE			SERIES
⊠ = 0	DRAFT WHERE APPLICABLE MUST REMAIN WITHIN DIMENSIONS	0 PLACES ±	C	THIRD ANGLE PROJECTION	200488	MATERIAL NUMBER
■ = 0					SEE TABLE	CUSTOMER
▽ = 0					DOCUMENT NUMBER	GENERAL MARKET
					2004880000-SD	DOC TYPE
					PSD	DOC PART
					000	SHEET NUMBER
						1 OF 2

# POLARIZATION DETAIL

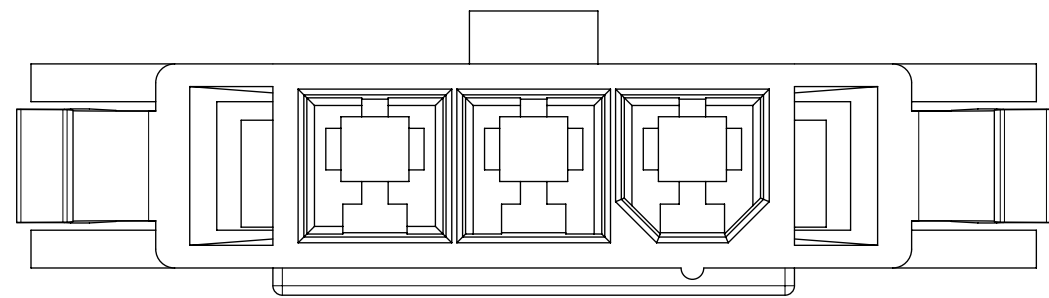
2 CKT



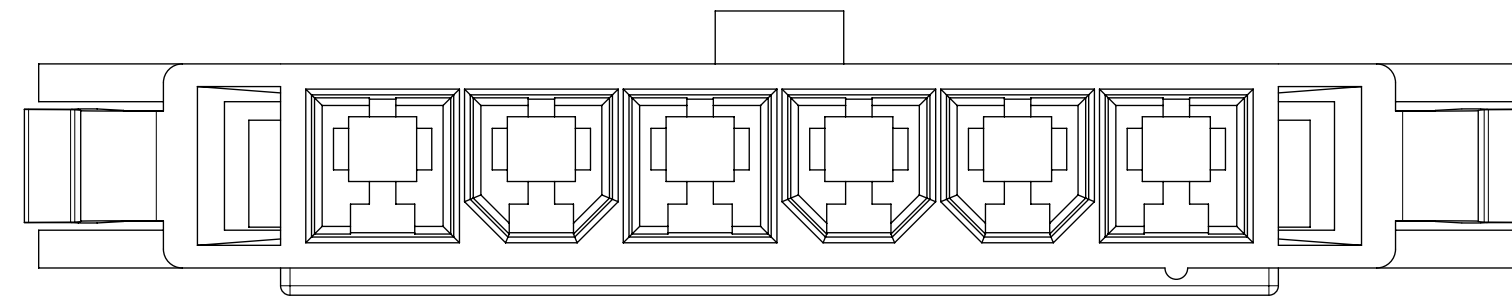
5 CKT



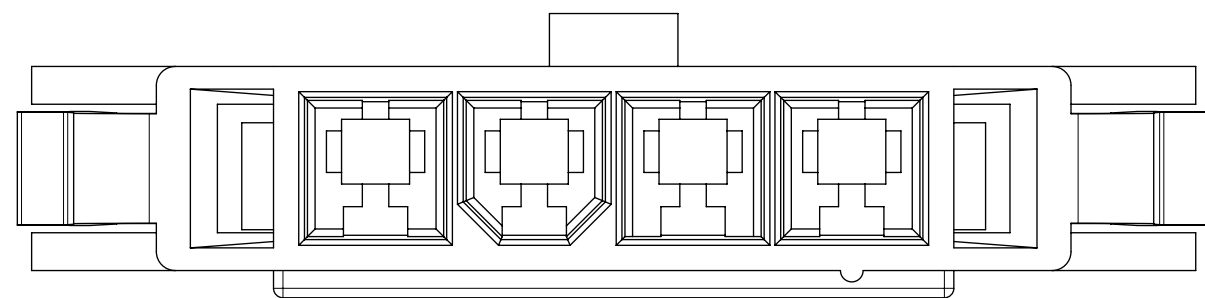
3 CKT



6 CKT



4 CKT



<b>QUALITY SYMBOLS</b> ▽ = 0 ▽ = 0 ▽ = 0 ▼ = 0 ▽ = 0 ⊠ = 0 ■ = 0 ▽ = 0		THIS DRAWING CONTAINS INFORMATION THAT IS PROPRIETARY TO MOLEX ELECTRONIC TECHNOLOGIES, LLC AND SHOULD NOT BE USED WITHOUT WRITTEN PERMISSION		DIMENSION UNITS <b>mm</b>		SCALE <b>5:1</b>					
EC NO: 167997 DRWN: AZAHIROVIC CHKD: JBELL REV / APPR: FSMITH		DATE: 2017/11/14 DATE: 2017/12/19 DATE: 2018/01/08		GENERAL TOLERANCES (UNLESS SPECIFIED) ANGULAR TOL ± 0.5 °		DRWN BY: TGREGORI DATE: 2016/10/18					HOUSING, SINGLE ROW PLUG PANEL MOUNT MINI-FIT TPA2
UPDATE NOTE 4		4 PLACES ± 3 PLACES ± 2 PLACES ± 0.13 1 PLACE ± 0.2 0 PLACES ±		DRWAHT WHERE APPLICABLE MUST REMAIN WITHIN DIMENSIONS		CHKD BY: TGREGORI DATE: 2016/10/18		PRODUCT CUSTOMER DRAWING			
A3		C		DRAWING SIZE: C		THIRD ANGLE PROJECTION		SERIES: 200488 MATERIAL NUMBER: SEE TABLE CUSTOMER: GENERAL MARKET			
RELEASE STATUS: P1		RELEASE DATE: 08.01.2018 22:26:31		DOCUMENT NUMBER: 2004880000-SD		DOC TYPE: PSD		DOC PART: 000		SHEET NUMBER: 2 OF 2	