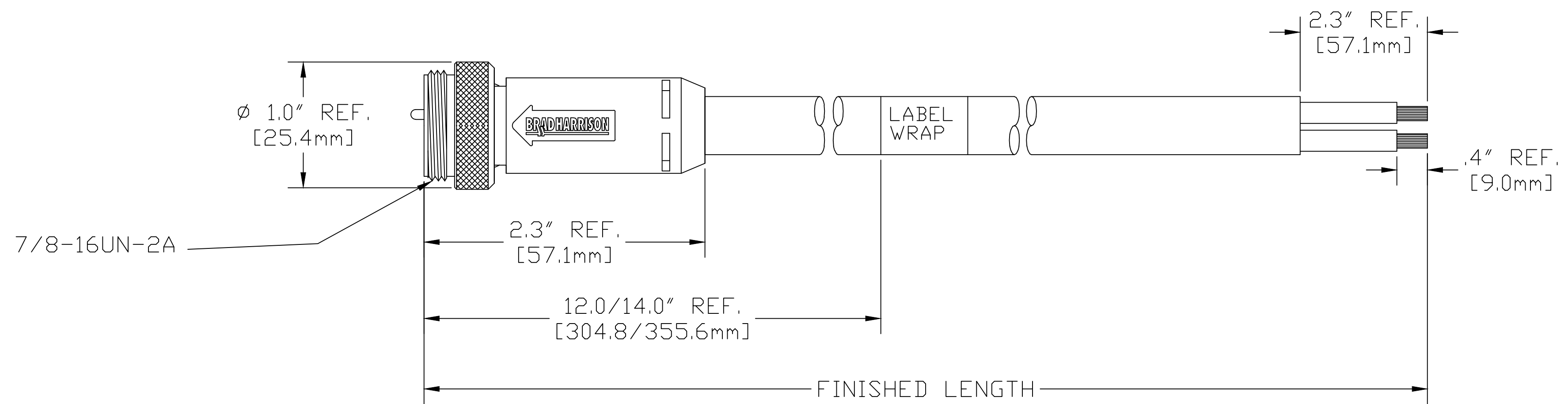


13	12	11	10	9	8	7	6	5	4	3	2	1
MATERIAL NUMBER	OLD PART NUMBER	FINISHED LENGTH										
1300240005	DNDF01A-M010	3.28' +3.50" -0 [1.0M +88.9mm -0]										



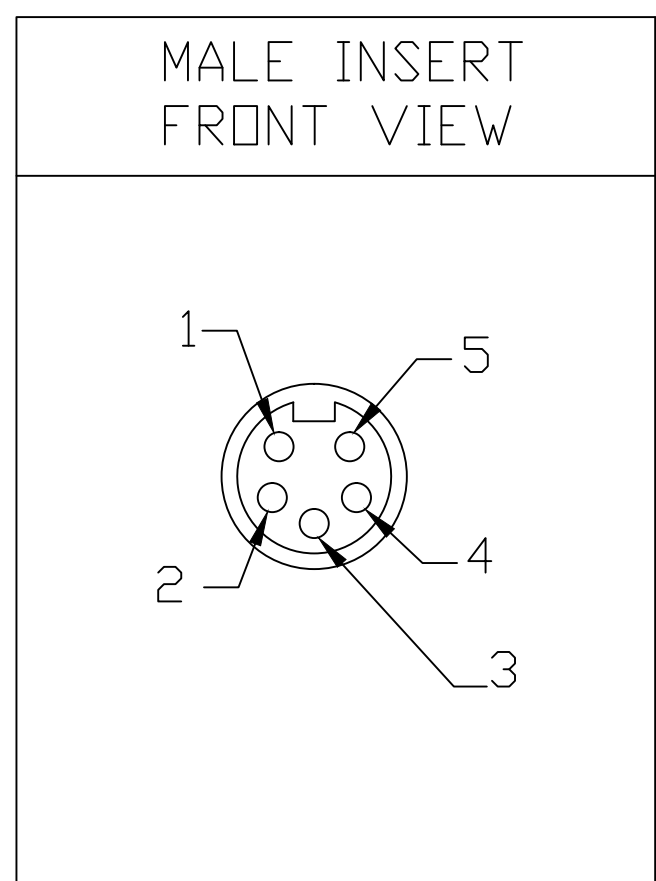
DNDF01A-M010

Cable type
DEVICENET
(FLEX DROP)

cable length
M010----1 Meter
M100----10 Meter

1	DRAIN
2	RED
3	BLACK
4	WHITE
5	BLUE

WIRING DIAGRAM



CONTACT:	GOLD/NICKEL OVER COPPER ALLOY
INSERT:	PVC, GRAY
COUPLING NUT:	ZINC DIE CAST, BLACK E-COATED
MOLDED BODY:	RITFLEX, GRAY
VOLTAGE RATING:	300 AC/DC
AMPERAGE RATING:	4 AMPS
PROTECTION:	IP67
OPERATING TEMPERATURE:	-20°C TO 80°C
CERTIFICATIONS:	UL RECOGNIZED FILE NO. E152210 CSA CERTIFIED FILE NO. LR6837

INITIAL RELEASE EC NO: IPG2014-0457 DRWN: GGUSTAFS 2013/08/29 CHKD: BARDEN APPR: BWOODMAN 2013/10/07	QUALITY SYMBOL ▽=0 C=0	GENERAL TOLERANCES (UNLESS SPECIFIED)		DIMENSION STYLE	SCALE	DESIGN UNITS	THIRD ANGLE PROJECTION	
		mm	INCH	IN/MM	NTS	INCH		
		4 PLACES	±---	±---	DRAWN BY	DATE	TITLE	MOLEX INCORPORATED
		3 PLACES	±---	±.005	EBRACKEN	2013/06/18	MINI-CHANGE DEVICENET 5 POLE 90D FEMALE 22/24 DROP CABLE GRY TPE	
2 PLACES	±0.13	±.010	CHECKED BY	DATE				
1 PLACE	±0.25	±.020	BARDEN	2013/09/12				
		ANGULAR ±.5°	APPROVED BY	DATE				
		DRAFT WHERE APPLICABLE MUST REMAIN WITHIN DIMENSIONS	BWOODMAN	2013/10/07				
			MATERIAL NO.		DOCUMENT NO.		SHEET NO.	
			SEE CHART		SD-130024-020		1 OF 1	
			SIZE C	THIS DRAWING CONTAINS INFORMATION THAT IS PROPRIETARY TO MOLEX INCORPORATED AND SHOULD NOT BE USED WITHOUT WRITTEN PERMISSION				