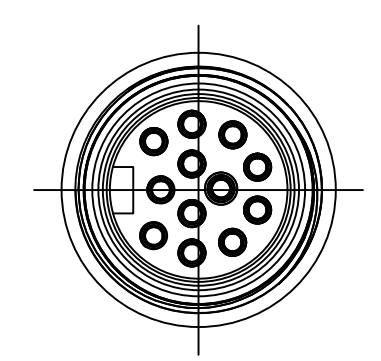
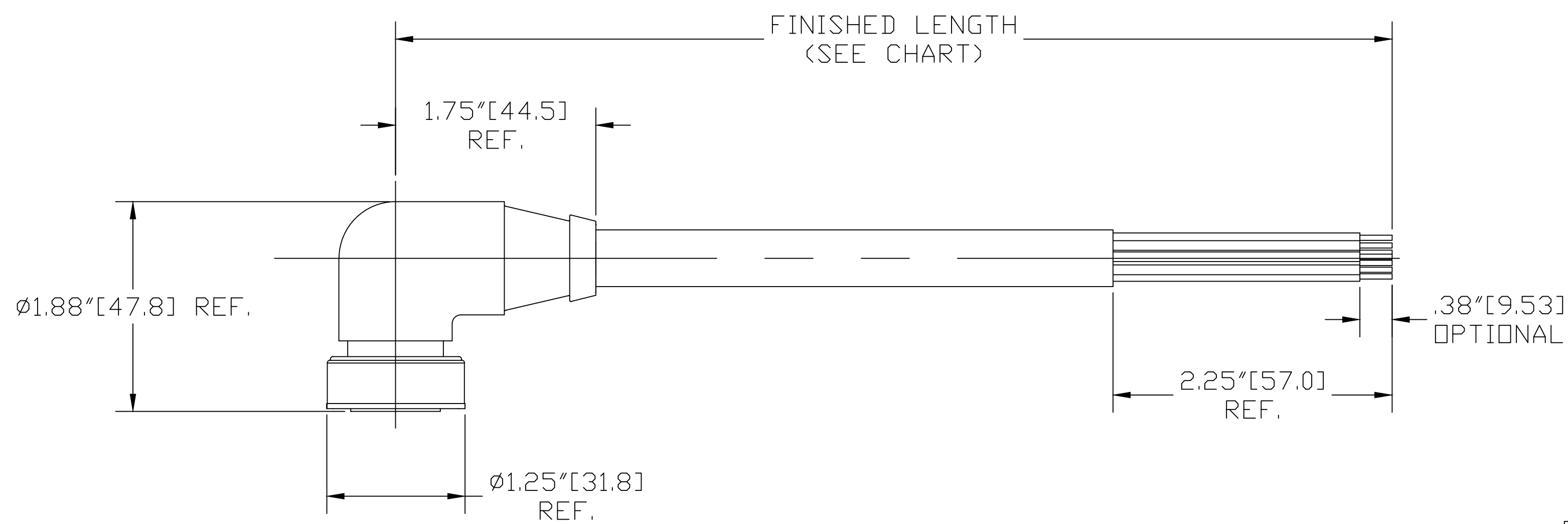


13	12	11	10	9	8	7	6	5	4	3	2	1
MATERIAL NUMBER		OLD PART NUMBER		FINISHED LENGTH								
130008-8006		302201P80M100		32.81' +12.50" -0 [10.0M +317.5mm -0]								



302201P80M100

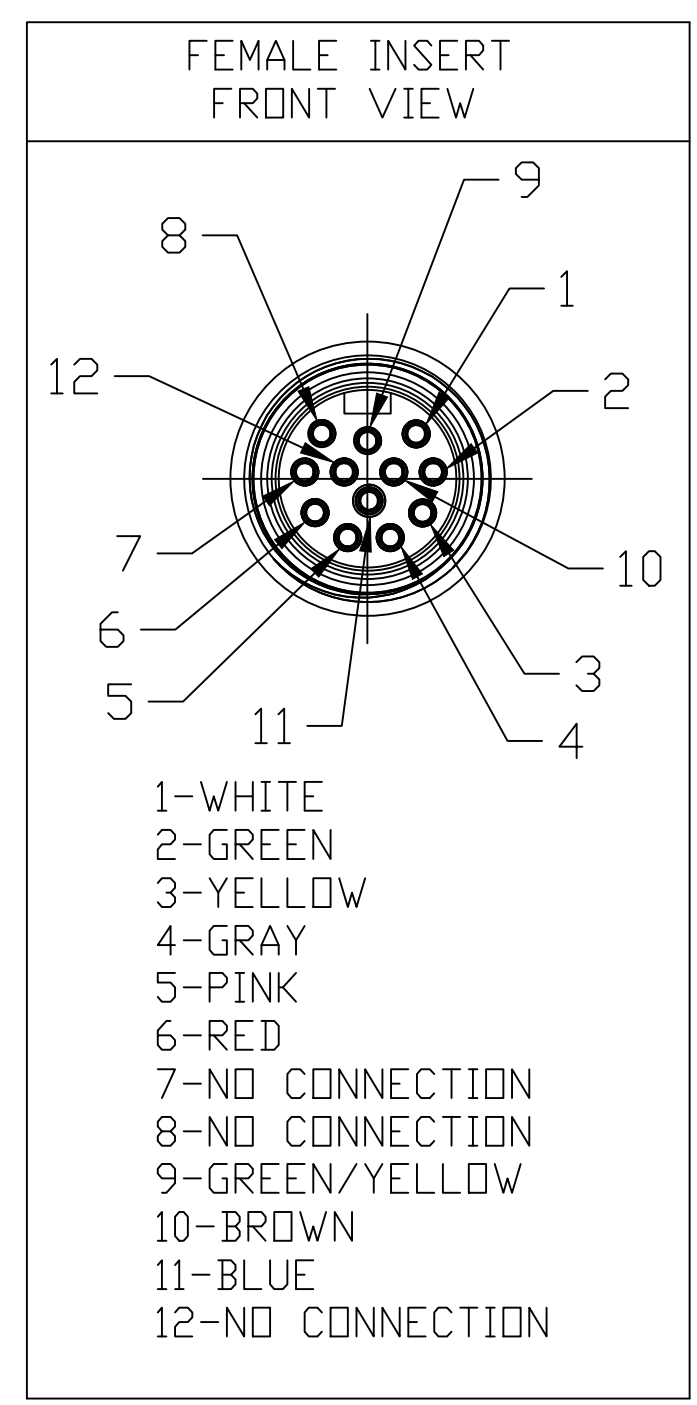
Wire type
18/22 AWG
Black PUR

cable length
M020----2 Meter
M100----10 Meter

CONTACT:	BRASS, GOLD PLATED
INSERT:	PVC, BLACK
COUPLING NUT:	ZINC DIE CAST, BLACK E-COATED
MOLDED BODY:	PVC, YELLOW
VOLTAGE RATING:	300 VAC/VDC
AMPERAGE RATING:	2 AMPS
PROTECTION:	IP67
OPERATING TEMPERATURE:	-20°C TO 105°C

P1	
1	WHITE
2	GREEN
3	YELLOW
4	GRAY
5	PINK
6	RED
7	NO CONNECTION
8	NO CONNECTION
9	GREEN/YELLOW
10	BROWN
11	BLUE
12	NO CONNECTION

WIRING DIAGRAM



INITIAL RELEASE EC NO: IPG2013-1910 DRWN: EBRACKEN 2013/06/19 CHKD: RSTONE APPR: BWOODMAN 2013/08/14	REV A	DESCRIPTION ! QUALITY SYMBOL ▽=0 ▽=0	GENERAL TOLERANCES (UNLESS SPECIFIED)		DIMENSION STYLE IN/MM		SCALE ---	DESIGN UNITS INCH	THIRD ANGLE PROJECTION			
				mm	INCH	DRAWN BY EBRACKEN	DATE 2013/06/18	TITLE MINI-CHANGE ASSEMBLY 12 POLE/9W, FEMALE 90D #18/#22 PUR, DC COLOR				
			4 PLACES	±---	±---	CHECKED BY RSTONE	DATE ----	MOLEX INCORPORATED				
			3 PLACES	±---	±.005	APPROVED BY BWOODMAN	DATE 2013/08/14	DOCUMENT NO. SD-130008-023				
2 PLACES	±0.13	±.010	MATERIAL NO. SEE CHART		SIZE C		SHEET NO. 1 OF 1					
1 PLACE	±0.25	±.020	ANGULAR ±.5°		THIS DRAWING CONTAINS INFORMATION THAT IS PROPRIETARY TO MOLEX INCORPORATED AND SHOULD NOT BE USED WITHOUT WRITTEN PERMISSION							
DRAFT WHERE APPLICABLE MUST REMAIN WITHIN DIMENSIONS												