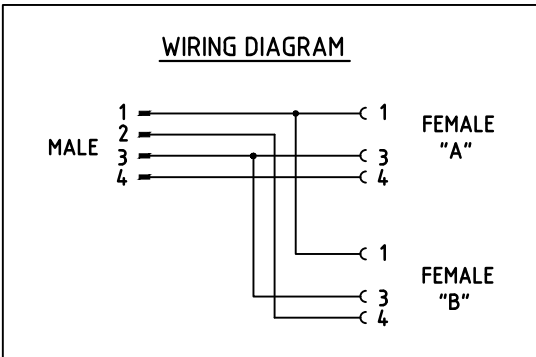


CONNECTOR SPECIFICATION: Steckverbinder-Eigenschaften:	
VOLTAGE RATING Bemessungsspannung	60V AC / 75V DC
AMPERAGE RATING Betriebsstrom	max. 3 AMPS
PROTECTION Schutzart	IP67
OPERATING TEMPERATURE Temperaturbereich	-25°C TO +90°C



(...) INFORMATION DIMENSION
(...) Informationsmaß

POS. Pos.	COMPONENT Einzelteil	MATERIAL Material	FINISH Oberfläche
1	INSERT Kontaktträger	PUR / BLACK PUR / schwarz	---
2	CONTACT SOCKET Kontakt	COPPER ALLOY Kupferlegierung	GOLD-PLATED vergoldet
3	COUPLING NUT MALE Schraubverschluß Stecker	BRASS Messing	NICKEL-PLATED vernickelt
4	COUPLING NUT FEMALE Schraubverschluß Buchse	BRASS Messing	NICKEL-PLATED vernickelt
5	OVERMOULDED Umspritzung	PUR / BLACK PUR / schwarz	---
6	O-RING (FEMALE) O-Ring (Buchse)	FPM / RED FPM / rot	---

ENG.-NO.: 0808-04LMF-00000

DESCRIPTION EC NO: IPG2013-1030 DRWN: BBRAUCH 2013/01/15 CHKD: REISSNER APPR: REISSNER 2013/01/16	QUALITY SYMBOLS ▽ = 0 ▽ = 0	GENERAL TOLERANCES (UNLESS SPECIFIED)	DIMENSION STYLE MM ONLY	SCALE 2:1	DESIGN UNITS METRIC	THIRD ANGLE PROJECTION																
		<table border="1"> <thead> <tr> <th></th> <th>mm</th> <th>INCH</th> </tr> </thead> <tbody> <tr> <td>4 PLACES</td> <td>±---</td> <td>±---</td> </tr> <tr> <td>3 PLACES</td> <td>±---</td> <td>±---</td> </tr> <tr> <td>2 PLACES</td> <td>±0.05</td> <td>±---</td> </tr> <tr> <td>1 PLACE</td> <td>±0.3</td> <td>±---</td> </tr> <tr> <td>0 PLACE</td> <td>±0.5</td> <td>±---</td> </tr> </tbody> </table>		mm	INCH	4 PLACES	±---	±---	3 PLACES	±---	±---	2 PLACES	±0.05	±---	1 PLACE	±0.3	±---	0 PLACE	±0.5	±---	DRAWN BY BBRAUCH	DATE 2013/01/15
	mm	INCH																				
4 PLACES	±---	±---																				
3 PLACES	±---	±---																				
2 PLACES	±0.05	±---																				
1 PLACE	±0.3	±---																				
0 PLACE	±0.5	±---																				
DRAFT WHERE APPLICABLE MUST REMAIN WITHIN DIMENSIONS		CHECKED BY	DATE	REISSNER	2013/01/16																	
A		SIZE A3	THIS DRAWING CONTAINS INFORMATION THAT IS PROPRIETARY TO MOLEX INCORPORATED AND SHOULD NOT BE USED WITHOUT WRITTEN PERMISSION		<p style="text-align: center;">molex</p>																	
REV		MATERIAL NO. 1200890033		DOCUMENT NO. SD-120089-015		SHEET NO. 1 OF 1																