

**PART NUMBER LEGEND**

WW5030F09M0108

POLES →

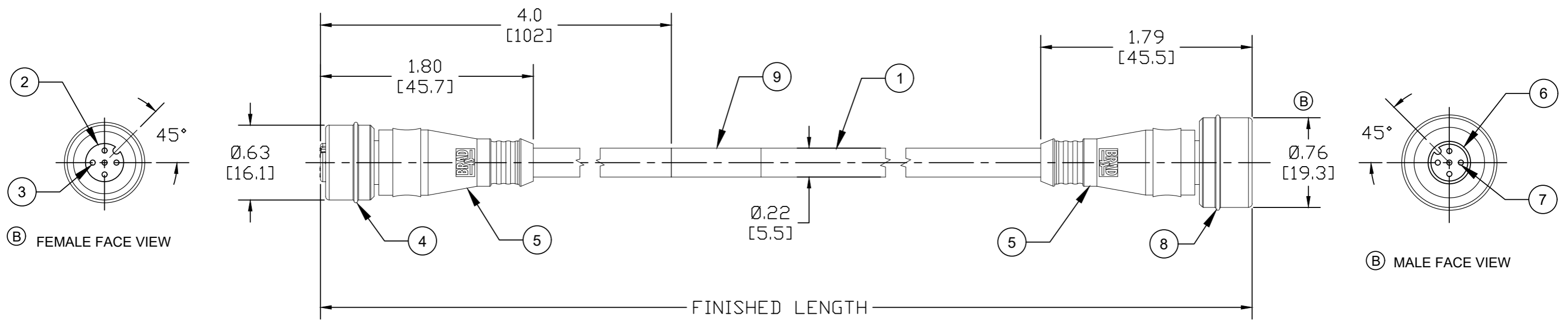
SS SHELL →

WIRE TYPE →  
22 AWG PVC

FINISHED LENGTH:  
M005= 0.5 METER  
M010= 1 METER  
M100= 10 METER

**CABLE LENGTH TOLERANCES**

<.3M [1FT]:	+19mm-0 [+ .75in-0]
.3 - .9M [1 - 3FT]:	+44.5mm-0 [+1.75in-0]
.9 - 1.8M [3 - 6FT]:	+55.6mm-0 [+2.19in-0]
1.8 - 3.7M [6 - 12FT]:	+88.9mm-0 [+3.50in-0]
3.7 - 7.3M [12 - 24FT]:	+165.1mm-0 [+6.50in-0]
7.3-14.6M [24 - 48FT]:	+317.5mm-0 [+12.50in-0]
14.6 - 30.5M [48-100FT]:	+622.3mm-0 [+24.50in-0]
OVER 30M [100FT]	+2% OF FINISHED LENGTH



ITEM	DESCRIPTION	MATERIAL	FINISH
9	WRAP LABEL	VINYL	BLACK/YELLOW
8	COUPLING SLEEVE, MALE	ST. STEEL	
7	CONTACT PIN	COPPER ALLOY	GOLD PLATED
6	MALE INSERT	NYLON	BLACK
5	OVERMOLDS	TPC	YELLOW
4	COUPLING SLEEVE, FEMALE	ST. STEEL	
3	CONTACT SOCKET	COPPER ALLOY	GOLD PLATED
2	FEMALE INSERT	NYLON	BLACK
1	CABLE, 22 AWG	PVC JACKET	YELLOW

**NOTES:**

- MATERIAL: AS NOTED
- FINISH: AS NOTED
- ELECTRICAL:  
VOLTAGE: 250V  
CURRENT: 4A
- TEMP RATING: -20° TO +105°C
- PROTECTION: IP67 (WHEN MATED)
- COUPLING TYPE: ULTRA-LOCK
- O-RING SEAL MATERIAL: EPDM
- CSA CERTIFIED PER FILE: LR6837
- ALL DIMS ARE FOR REFERENCE UNLESS NOTED OTHERWISE

PART NO.	ENGINEERING NO.	FINISHED LENGTH
1200800260	WW5030F09M0038	0.3M [11.8in]
1200800262	WW5030F09M0108	1.0M [3FT,3in]
1200800264	WW5030F09M0308	3.0M [9FT,10in]

<b>FUNCTIONAL SYMBOLS</b> $F=0$ $E=0$ $P=0$	THIS DRAWING CONTAINS INFORMATION THAT IS PROPRIETARY TO MOLEX ELECTRONIC TECHNOLOGIES, LLC AND SHOULD NOT BE USED WITHOUT WRITTEN PERMISSION		CURRENT REV DESC: CORRECT KEY ORIENTATION FOR FACE VIEWS, OVERMOLD WAS PVC, Ø.76 WAS .78, UPDATE BORDER		
	DIMENSION UNITS <b>INCH/MM</b>	SCALE <b>1:1</b>	<b>molex</b> ULTRA-LOCK CORD ASSY MALE/FEMALE, SINGLE KEY SS COUPLING		
	GENERAL TOLERANCES (UNLESS SPECIFIED)				
	DIVISIONAL SYMBOLS 4 PLACES ±--- ±--- 3 PLACES ±--- ±--- 2 PLACES ±--- ±--- 1 PLACE ±--- ±--- 0 PLACES ±--- ±---	mm INCH ±--- ±--- ±--- ±--- ±--- ±--- ±--- ±---	EC NO: 713985 DRWN: RSTONE 2022/07/12 CHK'D: MZIELINSKI 2022/07/20 APPR: BWOODMAN 2022/07/27	INITIAL REVISION: DRWN: RSTONE 2017/09/20 APPR: BWOODMAN 2017/10/04	PRODUCT CUSTOMER DRAWING DOCUMENT NUMBER: SD-120080-085 DOC TYPE: PSD DOC PART: 001 REVISION: B
DRAFT WHERE APPLICABLE MUST REMAIN WITHIN DIMENSIONS	THIRD ANGLE PROJECTION	DRAWING: B-SIZE	SERIES: 120080	MATERIAL NUMBER: GENERAL MARKET CUSTOMER: 1 OF 1 SHEET NUMBER:	