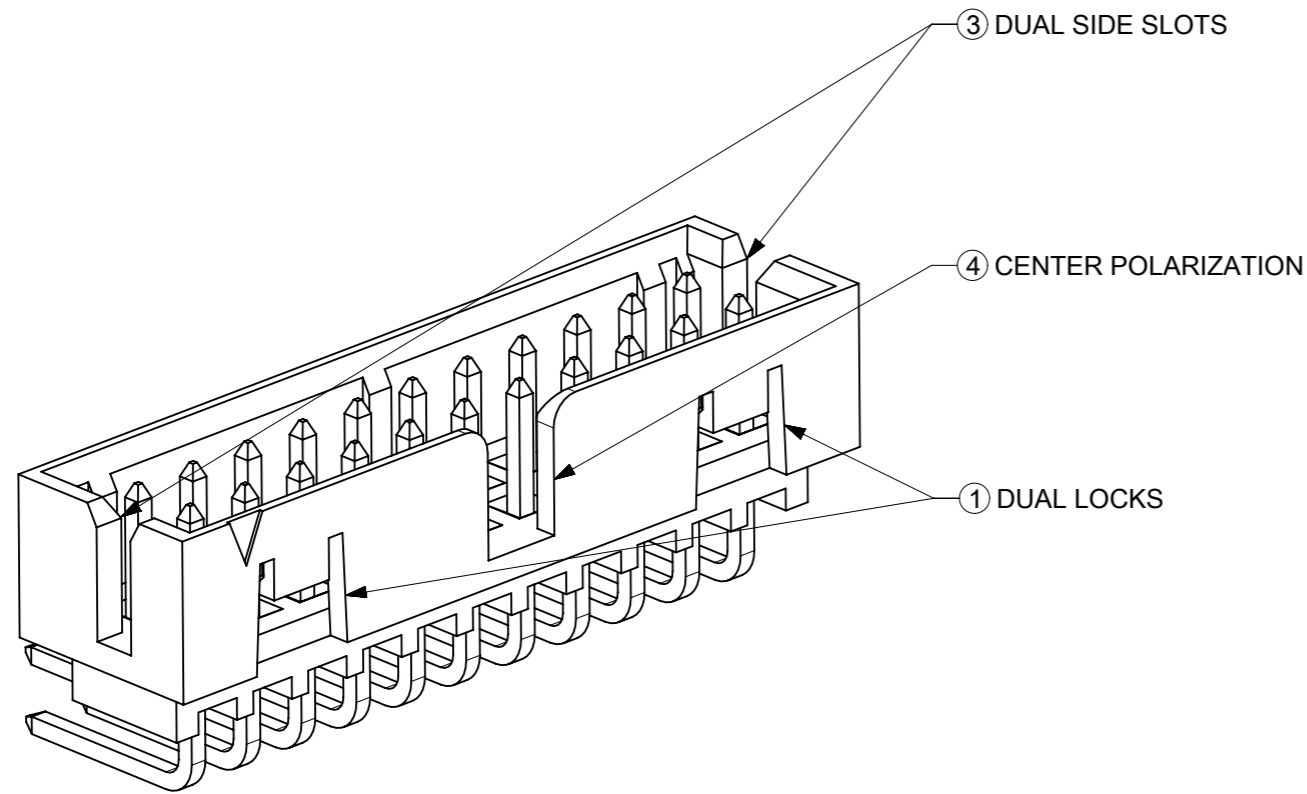
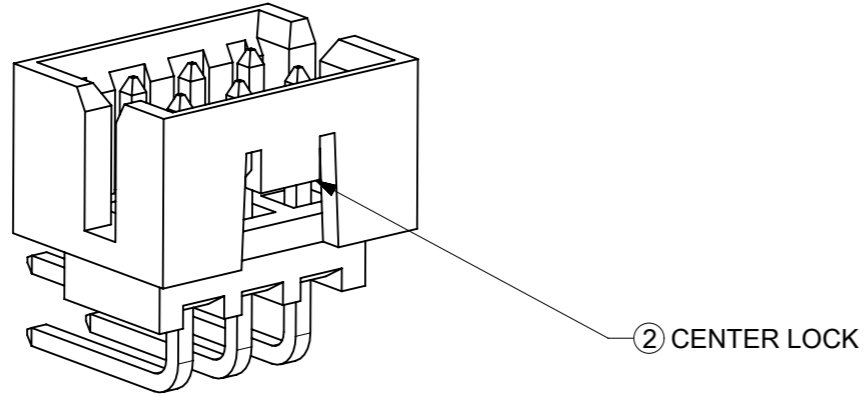


FEATURES SELECTION GUIDE

CIRCUIT SIZE	FEATURES				SHEET NO
	FRICTION LOCKS		③ DUAL SIDE SLOTS	④ CENTER POLARIZATION	
	① DUAL	② CENTER			
4 TO 6	N.A	N.A	YES	N.A	2 - 3
	N.A	YES	YES	N.A	
8 TO 12	N.A	N.A	YES	YES	4 - 5
	N.A	YES	YES	N.A	
14 TO 50	YES	N.A	YES	YES	6 - 9
	N.A	N.A	YES	YES	



PACKAGING SPECIFICATION TABLE

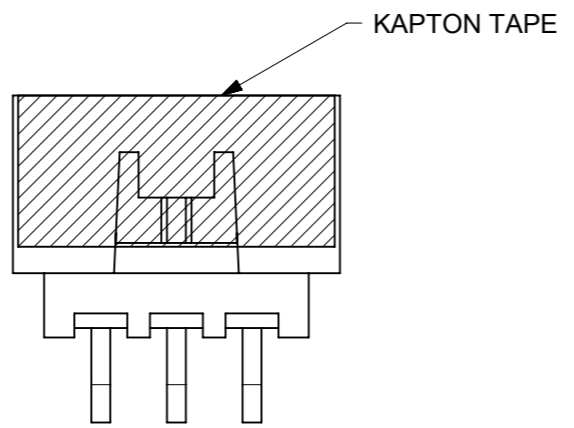
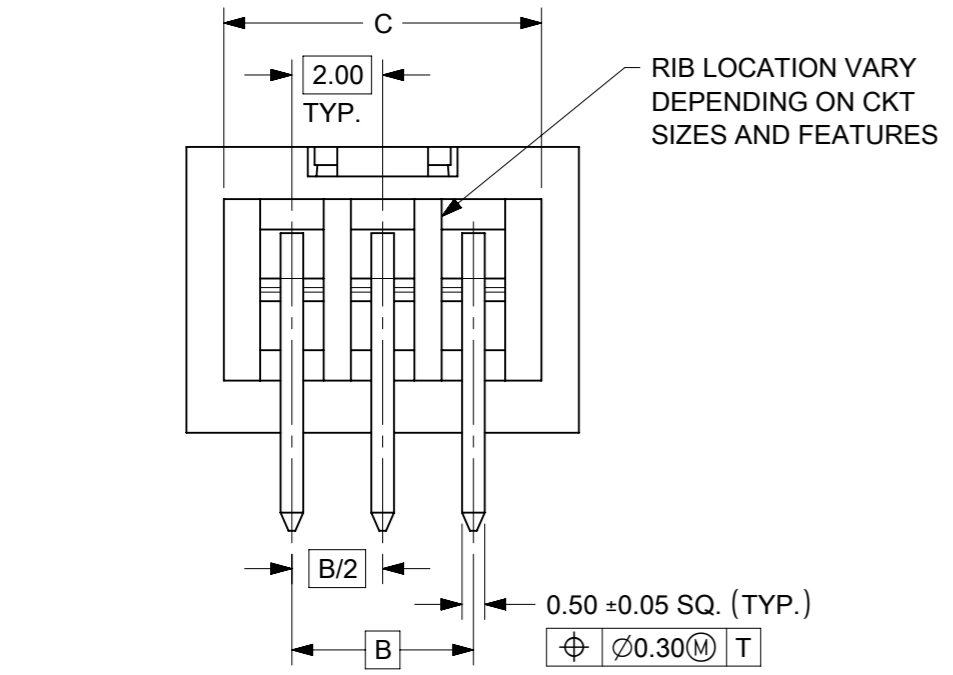
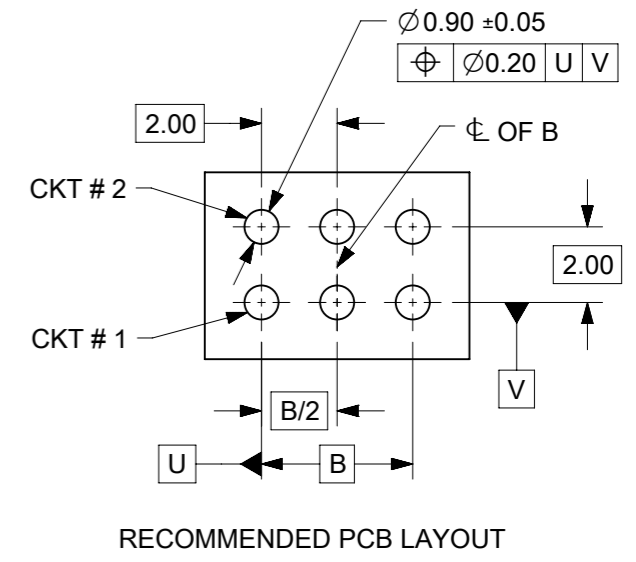
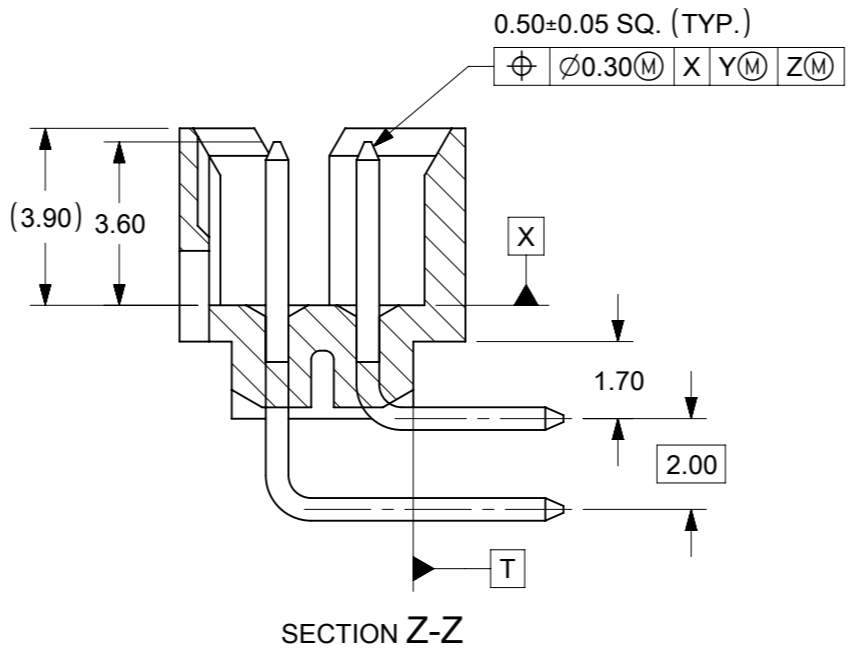
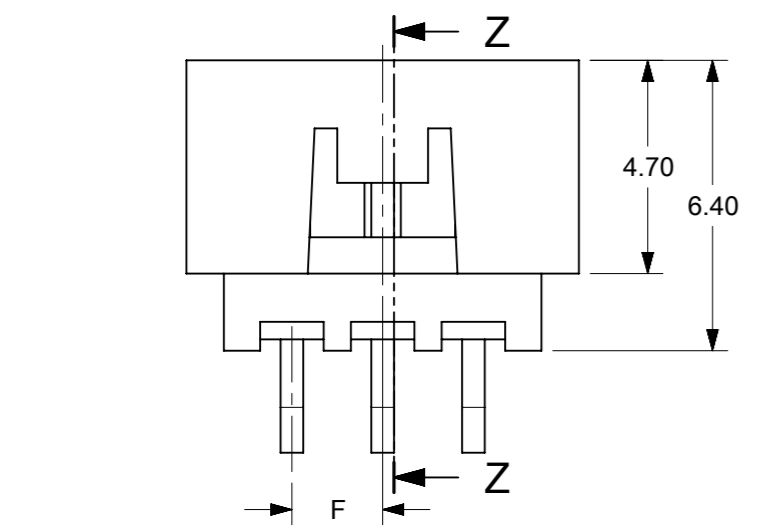
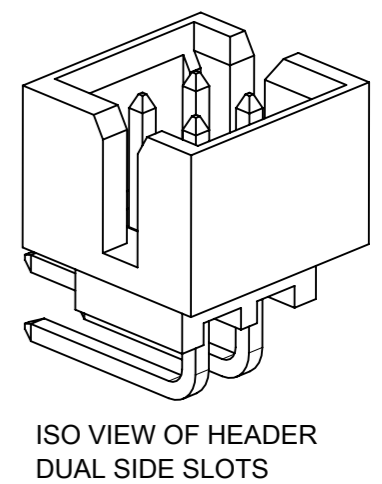
TAPE AND REEL PACKAGING	PK-87831-300
TUBE STANDARD PACKAGING	PK-87831-001
TUBE NON-STANDARD PACKAGING FOR: 87833-0861 87833-1420	PK-87831-002

THIS DRAWING CONTAINS INFORMATION THAT IS PROPRIETARY TO MOLEX ELECTRONIC TECHNOLOGIES, LLC AND SHOULD NOT BE USED WITHOUT WRITTEN PERMISSION

EC NO: 727481 DRWN: DANUSA CHK'D: DANUSA REV APPR: MIRAMAKRISHNA	2022/11/07	GENERAL TOLERANCES (UNLESS SPECIFIED)		DIMENSION UNITS		SCALE						
	2022/11/07	MM	INCH	MM	NTS	DRWN BY						DATE
	2022/11/07	4 PLACES	±	±	GMENARLY		2015/09/29		MILLIGRID, 2MM PITCH SHROUDED HEADER R/A, THROUGH HOLE			
		3 PLACES	±	±	CHK'D BY		DATE					
		2 PLACES	± 0.2	±	CGOH		2015/10/30					
	1 PLACES	±	±	APPR BY		DATE		PRODUCT CUSTOMER DRAWING				
	0 PLACES	±	±	KHLIM		2015/11/03						
	ANGULAR TOL = 3.0			DRAWING SIZE	THIRD ANGLE PROJECTION		SERIES	MATERIAL NUMBER	CUSTOMER			
	DRAFT WHERE APPLICABLE MUST REMAIN WITHIN DIMENSIONS			A3			87833	SEE TABLE	GENERAL MARKET			
							DOCUMENT NUMBER		DOC TYPE	DOC PART	SHEET NUMBER	
							SD-87833-0001		PSD	001	1 OF 9	



4 TO 6 CIRCUITS



- NOTES:
1. MATERIALS:
HOUSING: 30% GF, NYLON, UL94V-0, COLOR: BLACK.
PIN: 0.50mm SQ. PHOSPHOR BRONZE.
 2. FINISHES: REFER TO PLATING OPTIONS.
 3. PRODUCT SPECIFICATION: PS-87831-027
 4. PACKAGING SPECIFICATION: SEE PACKAGING SPECS TABLE ON SHEET 1
 5. MATES WITH: A. MOLEX CRIMP RECEPTACLE HOUSING: 51110 SERIES AND CRIMP TERMINAL: 50394 SERIES.
B. MOLEX 2MM MILLIGRID DUAL ROW IDT: 87568 SERIES.
C. MOLEX 2MM MILLIGRID DUAL ROW RECEPTACLE: 79107 (GOLD PLATED), 78787 (TIN PLATED)
 6. FOR ILLUSTRATION PURPOSE, 6 CIRCUITS HEADER IS SHOWN.

THIS DRAWING CONTAINS INFORMATION THAT IS PROPRIETARY TO MOLEX ELECTRONIC TECHNOLOGIES, LLC AND SHOULD NOT BE USED WITHOUT WRITTEN PERMISSION

EC NO: 727481 DRWN: DANUSA CHK'D: DANUSA REV APPR: MIRAMAKRISHNA	2022/11/07	GENERAL TOLERANCES (UNLESS SPECIFIED)		DIMENSION UNITS	SCALE				
	2022/11/07	MM	INCH	MM	NTS				
	2022/11/07	4 PLACES ±	±	DRWN BY	DATE	MILLIGRID, 2MM PITCH SHROUDED HEADER R/A, THROUGH HOLE PRODUCT CUSTOMER DRAWING SERIES: 87833 MATERIAL NUMBER: SEE TABLE CUSTOMER: GENERAL MARKET DOCUMENT NUMBER: SD-87833-0001 DOC TYPE: PSD DOC PART: 001 SHEET NUMBER: 2 OF 9			
		3 PLACES ±	±	GMENARLY	2015/09/29				
		2 PLACES ± 0.2	±	CHK'D BY	DATE				
		1 PLACES ±	±	CGOH	2015/10/30				
	0 PLACES ±	±	APPR BY	DATE					
			KHLIM	2015/11/03					
		ANGULAR TOL = 3.0	DRAWING SIZE	THIRD ANGLE PROJECTION					
		DRAFT WHERE APPLICABLE MUST REMAIN WITHIN DIMENSIONS	A3						

4 TO 6 CIRCUITS

CKT SIZE	ASSY. P/N WITHOUT KAPTON IN TUBE	ASSY. P/N WITH KAPTON IN TUBE	ASSY. P/N WITH KAPTON IN T&R	PLATING OPTIONS	FRICTION LOCKS		DUAL SIDE SLOTS	CENTER POLARIZATION	DIMENSION									
					DUAL	CENTER			A	B	C	D	E	F	G (SOLDER TAIL)			
4	87833-0419	N.A	N.A	1	N.A	N.A	YES	N.A	6.65	2.00	5.00	4.85	N.A	N.A	2.16			
	87833-0420	N.A	N.A	2														
	87833-0421	N.A	N.A	3														
	87833-5920	N.A	N.A	2	N.A	N.A	YES	N.A						N.A	N.A	N.A	1.00	2.16
	87833-0431	87833-0441	87833-0451	2	N.A	YES	YES	N.A						1.00	3.18			
	87833-0432	N.A	N.A	3	N.A	YES	YES	N.A						1.00	3.18			
	87833-0461	N.A	N.A	2	N.A	YES	YES	N.A						1.00	3.18			
6	87833-0619	N.A	N.A	1	N.A	N.A	YES	N.A	8.65	4.00	7.00	6.85	N.A	N.A	2.16			
	87833-0620	N.A	87833-0626	2														
	87833-0621	N.A	N.A	3														
	87833-6420	N.A	N.A	2	N.A	N.A	YES	N.A						N.A	3.18			
	87833-0631	87833-0641	87833-0651	2	N.A	YES	YES	N.A						2.00	2.16			
	87833-0632	N.A	N.A	3	N.A	YES	YES	N.A						2.00	3.18			
	87833-0661	N.A	N.A	2	N.A	YES	YES	N.A						2.00	3.18			
	87833-0624	N.A	N.A	2	N.A	N.A	YES	N.A						N.A	2.92			
	87833-0625	N.A	N.A	3	N.A	N.A	YES	N.A						N.A	2.92			

PLATING OPTIONS:

- 1 - 0.05-0.13µm/2-5µin GOLD IN CONTACT AREA AND
1.88µm/75µin MIN. MATTE TIN IN SOLDER TAIL AREA OVER
1.27µm/50µin MIN. NICKEL OVERALL.
- 2 - 0.38µm/15µin MIN. GOLD IN CONTACT AREA AND
1.88µm/75µin MIN. MATTE TIN IN SOLDER TAIL AREA OVER
1.27µm/50µin MIN. NICKEL OVERALL.
- 3 - 0.76µm/30µin MIN. GOLD IN CONTACT AREA AND
1.88µm/75µin MIN. MATTE TIN IN SOLDER TAIL AREA OVER
1.27µm/50µin MIN. NICKEL OVERALL.

THIS DRAWING CONTAINS INFORMATION THAT IS PROPRIETARY TO MOLEX ELECTRONIC TECHNOLOGIES, LLC AND SHOULD NOT BE USED WITHOUT WRITTEN PERMISSION

EC NO: 727481 DRWN: DANUSA CHK'D: DANUSA REV APPR: MIRAMAKRISHNA	2022/11/07	2022/11/07	2022/11/07	GENERAL TOLERANCES (UNLESS SPECIFIED)		DIMENSION UNITS		SCALE								
				MM	INCH	MM	NTS									
				4 PLACES	±	±	DRWN BY		DATE		MILLIGRID, 2MM PITCH SHROUDED HEADER R/A, THROUGH HOLE					
				3 PLACES	±	±	GMENARLY		2015/09/29							
				2 PLACES	± 0.2	±	CHK'D BY		DATE							
				1 PLACES	±	±	CGOH		2015/10/30		PRODUCT CUSTOMER DRAWING					
			0 PLACES	±	±	APPR BY		DATE								
						KHLIM		2015/11/03		SERIES	MATERIAL NUMBER	CUSTOMER				
						ANGULAR TOL = 3.0		DRAWING SIZE		THIRD ANGLE PROJECTION		87833	SEE TABLE	GENERAL MARKET		
						DRAFT WHERE APPLICABLE MUST REMAIN WITHIN DIMENSIONS		A3				DOCUMENT NUMBER		DOC TYPE	DOC PART	SHEET NUMBER
										SD-87833-0001		PSD	001	3 OF 9		

RELEASE STATUS	P1	RELEASE DATE	2022/11/07	17:03:16
----------------	----	--------------	------------	----------

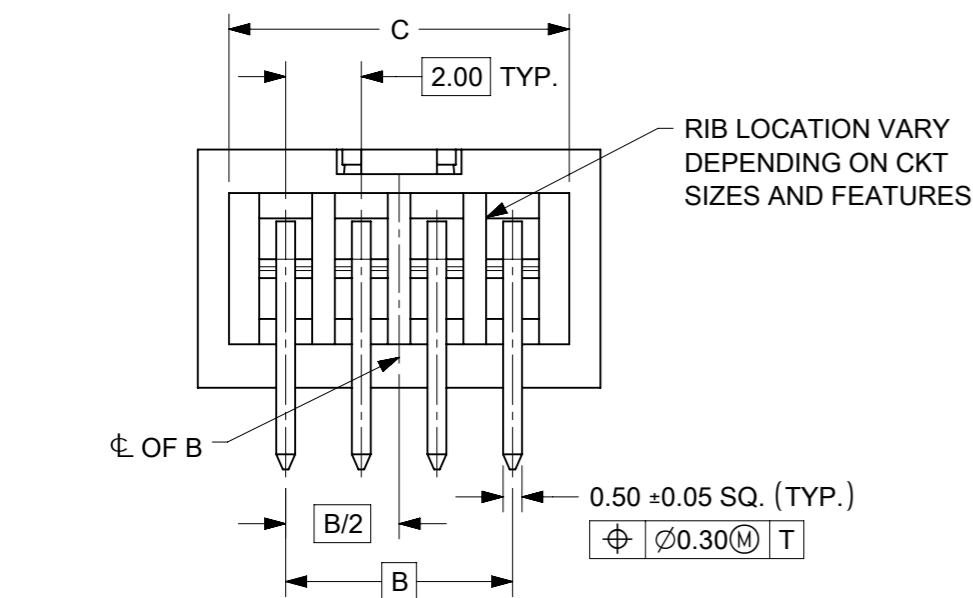
8 TO 12 CIRCUITS



ISO VIEW OF HEADER WITH CENTER POLARIZATION AND DUAL SIDE SLOTS



RECOMMENDED PCB LAYOUT



- NOTES:
- MATERIALS:
HOUSING: 30% GF, NYLON, UL94V-0, COLOR: BLACK
PIN: 0.50mm SQ. PHOSPHOR BRONZE.
 - FINISHES: REFER TO PLATING OPTIONS.
 - PRODUCT SPECIFICATION: PS-87831-027
 - PACKAGING SPECIFICATION: SEE PACKAGING SPECS TABLE ON SHEET 1
 - MATES WITH: A. MOLEX CRIMP RECEPTACLE HOUSING: 51110 SERIES AND CRIMP TERMINAL: 50394 SERIES.
B. MOLEX 2mm MILLIGRID DUAL ROW IDT: 87568 SERIES.
C. MOLEX 2mm MILLIGRID DUAL ROW RECEPTACLE: 79107 (GOLD PLATED), 78787 (TIN PLATED)
 - FOR ILLUSTRATION PURPOSE, 8 CIRCUIT HEADER IS SHOWN.

THIS DRAWING CONTAINS INFORMATION THAT IS PROPRIETARY TO MOLEX ELECTRONIC TECHNOLOGIES, LLC AND SHOULD NOT BE USED WITHOUT WRITTEN PERMISSION

EC NO: 727481 DRWN: DANUSA CHK'D: DANUSA REV APPR: MIRAMAKRISHNA	2022/11/07	GENERAL TOLERANCES (UNLESS SPECIFIED)		DIMENSION UNITS		SCALE					
	2022/11/07	MM	INCH	MM	NTS						
	2022/11/07	4 PLACES	±	±	DRWN BY	DATE		MILLIGRID, 2MM PITCH SHROUDED HEADER R/A, THROUGH HOLE			
		3 PLACES	±	±	GMENARLY	2015/09/29					
		2 PLACES	± 0.2	±	CHK'D BY	DATE		PRODUCT CUSTOMER DRAWING			
	1 PLACES	±	±	CGOH	2015/10/30						
	0 PLACES	±	±	APPR BY	DATE		SERIES: 87833 MATERIAL NUMBER: SEE TABLE CUSTOMER: GENERAL MARKET				
				KHLIM	2015/11/03						
		ANGULAR TOL = 3.0		DRAWING SIZE	THIRD ANGLE PROJECTION		DOCUMENT NUMBER: SD-87833-0001 DOC TYPE: PSD DOC PART: 001 SHEET NUMBER: 4 OF 9				
		DRAFT WHERE APPLICABLE MUST REMAIN WITHIN DIMENSIONS		A3							

8 TO 12 CIRCUITS

CKT SIZE	ASSY. P/N WITHOUT KAPTON IN TUBE	ASSY. P/N WITH KAPTON IN TUBE	ASSY. P/N WITH KAPTON IN T&R	PLATING OPTIONS	FRICTION LOCKS		DUAL SIDE SLOTS	CENTER POLARIZATION	DIMENSION							
					DUAL	CENTER			A	B	C	D	E	F	G (SOLDER TAIL)	
8	87833-0819	N.A	N.A	1	N.A	N.A	YES	YES	10.65	6.00	9.00	8.85	N.A	N.A	2.16	
	87833-0820	N.A	N.A	2												
	87833-0821	N.A	87833-7621	3												
	87833-6320	N.A	N.A	2	N.A	N.A	YES	YES						N.A	3.00	2.16
	87833-6321	N.A	N.A	3												
	87833-0831	87833-0841	87833-0851	2	N.A	YES	YES	N.A						3.00	3.18	
	87833-0832	N.A	N.A	3												
	87833-0861	N.A	N.A	2	N.A	N.A	YES	YES						N.A	2.92	
	87833-0824	N.A	N.A	2												
	87833-0825	N.A	N.A	3												
10	87833-1019	N.A	N.A	1	N.A	N.A	YES	YES	12.65	8.00	11.00	10.85	N.A	N.A	2.16	
	87833-1020	N.A	87833-1026	2												
	87833-1021	N.A	N.A	3												
	87833-1031	N.A	87833-1027	2	N.A	YES	YES	N.A						4.00	2.16	
	87833-1032	N.A	N.A	3												
	N.A	87833-1041	87833-1051	2	N.A	N.A	YES	YES						N.A	1.70	
	87833-1024	N.A	N.A	2												
	87833-1025	N.A	N.A	3												
12	87833-1219	N.A	N.A	1	N.A	N.A	YES	YES	14.65	10.00	13.00	12.85	N.A	N.A	2.16	
	87833-1220	N.A	87833-1240	2												
	87833-1221	N.A	N.A	3												
	87833-6020	N.A	N.A	2	N.A	N.A	YES	YES						N.A	3.18	
	87833-1231	N.A	N.A	2												
	87833-1232	N.A	N.A	3	N.A	YES	YES	N.A						5.00	2.16	
	87833-1224	N.A	N.A	2												
	87833-1225	N.A	N.A	3												

PLATING OPTIONS:

- 1 - 0.05-0.13µm/2-5µin GOLD IN CONTACT AREA AND 1.88µm/75µin MIN. MATTE TIN IN SOLDER TAIL AREA OVER 1.27µm/50µin MIN. NICKEL OVERALL.
- 2 - 0.38µm/15µin MIN. GOLD IN CONTACT AREA AND 1.88µm/75µin MIN. MATTE TIN IN SOLDER TAIL AREA OVER 1.27µm/50µin MIN. NICKEL OVERALL.
- 3 - 0.76µm/30µin MIN. GOLD IN CONTACT AREA AND 1.88µm/75µin MIN. MATTE TIN IN SOLDER TAIL AREA OVER 1.27µm/50µin MIN. NICKEL OVERALL.

THIS DRAWING CONTAINS INFORMATION THAT IS PROPRIETARY TO MOLEX ELECTRONIC TECHNOLOGIES, LLC AND SHOULD NOT BE USED WITHOUT WRITTEN PERMISSION

EC NO: 727481 DRWN: DANUSA CHKD: DANUSA REV APPR: MIRAMAKRISHNA	2022/11/07	2022/11/07	2022/11/07	GENERAL TOLERANCES (UNLESS SPECIFIED)		DIMENSION UNITS		SCALE		 <p>MILLIGRID, 2MM PITCH SHROUDED HEADER R/A, THROUGH HOLE</p>			
	4 PLACES	±	±	MM	INCH	MM	NTS	DRWN BY	DATE				
				3 PLACES ± 0.2 ±		GMENARLY		2015/09/29		PRODUCT CUSTOMER DRAWING			
				2 PLACES ± 0.2 ±		CHK'D BY		DATE					
				1 PLACES ± ±		CGOH		2015/10/30		SERIES: 87833 MATERIAL NUMBER: SEE TABLE CUSTOMER: GENERAL MARKET			
				0 PLACES ± ±		APPR BY		DATE					
				ANGULAR TOL = 3.0		KHLIM		2015/11/03		DOCUMENT NUMBER: SD-87833-0001 DOC TYPE: PSD DOC PART: 001 SHEET NUMBER: 5 OF 9			
				DRAFT WHERE APPLICABLE MUST REMAIN WITHIN DIMENSIONS		DRAWING SIZE: A3		THIRD ANGLE PROJECTION					

RELEASE STATUS	P1	RELEASE DATE	2022/11/07	17:03:16
----------------	----	--------------	------------	----------

14 TO 50 CIRCUITS



ISO VIEW OF HEADER WITH CENTER POLARIZATION AND DUAL SIDE SLOTS



- NOTES:**
- MATERIALS:**
HOUSING: 30% GF, NYLON, UL94V-0, COLOR: BLACK.
PIN: 0.50mm SQ PHOSPHOR BRONZE.
 - FINISHES:** REFER TO PLATING OPTIONS.
 - PRODUCT SPECIFICATION:** PS-87831-027
 - PACKAGING SPECIFICATION:** SEE PACKAGING SPECS TABLE ON SHEET 1
 - MATES WITH:** A. MOLEX CRIMP RECEPTACLE HOUSING: 51110 SERIES AND CRIMP TERMINAL: 50394 SERIES.
B. MOLEX 2mm MILLIGRID DUAL ROW IDT: 87568 SERIES.
C. MOLEX 2mm MILLIGRID DUAL ROW RECEPTACLE: 79107 (GOLD PLATED), 78787 (TIN PLATED)
 - FOR ILLUSTRATION PURPOSE, 22 CIRCUITS HEADER IS SHOWN.**

THIS DRAWING CONTAINS INFORMATION THAT IS PROPRIETARY TO MOLEX ELECTRONIC TECHNOLOGIES, LLC AND SHOULD NOT BE USED WITHOUT WRITTEN PERMISSION

EC NO: 727481 DRWN: DANUSA CHK'D: DANUSA REV APPR: MIRAMAKRISHNA	2022/11/07	GENERAL TOLERANCES (UNLESS SPECIFIED)		DIMENSION UNITS	SCALE				
	2022/11/07	MM	INCH	MM	NTS				
	2022/11/07	4 PLACES ±	±	DRWN BY	DATE		MILLIGRID, 2MM PITCH SHROUDED HEADER R/A, THROUGH HOLE		
		3 PLACES ±	±	GMENARLY	2015/09/29				
		2 PLACES ± 0.2	±	CHK'D BY	DATE				
		1 PLACES ±	±	CGOH	2015/10/30		PRODUCT CUSTOMER DRAWING		
	0 PLACES ±	±	APPR BY	DATE					
			KHLIM	2015/11/03	SERIES	MATERIAL NUMBER	CUSTOMER		
			ANGULAR TOL = 3.0	DRAWING SIZE	THIRD ANGLE PROJECTION	87833	SEE TABLE	GENERAL MARKET	
			DRAFT WHERE APPLICABLE MUST REMAIN WITHIN DIMENSIONS	A3		DOCUMENT NUMBER	DOC TYPE	DOC PART	SHEET NUMBER
						SD-87833-0001	PSD	001	6 OF 9

14 TO 24 CIRCUITS

CKT SIZE	ASSY. P/N WITHOUT KAPTON IN TUBE	ASSY. P/N WITH KAPTON IN TUBE	ASSY. P/N WITH KAPTON IN T&R	ASSY. P/N WITHOUT KAPTON IN T&R	PLATING OPTIONS	FRICTION LOCKS		DUAL SIDE SLOTS	CENTER POLARIZATION	DIMENSION																
						DUAL	CENTER			A	B	C	D	E	F	G (SOLDER TAIL)										
14	87833-1419	N.A	N.A	N.A	1	YES	N.A	YES	YES	16.65	12.00	15.00	14.85	8.00	N.A	2.16										
	87833-1420	N.A	N.A	N.A	2																					
	87833-1421	N.A	N.A	N.A	3																					
	87833-5320	N.A	N.A	N.A	2	YES	N.A	YES	YES							16.65	12.00	15.00	14.85	8.00	N.A	3.18				
	87833-5321	N.A	N.A	N.A	3																					
	87833-1436	N.A	N.A	N.A	3																					
	N.A	N.A	87833-7420	N.A	2																					
16	87833-1619	N.A	N.A	N.A	1	YES	N.A	YES	YES	18.65	14.00	17.00	16.85	10.00	N.A							2.16				
	87833-1620	N.A	N.A	N.A	2																					
	87833-1621	N.A	87833-7821	N.A	3																					
	87833-6120	N.A	87833-7120	N.A	2																					
18	87833-1819	N.A	N.A	N.A	1	YES	N.A	YES	YES	20.65	16.00	19.00	18.85	12.00	N.A	2.16										
	87833-1820	N.A	N.A	N.A	2																					
	87833-1821	N.A	N.A	N.A	3																					
	87833-6220	N.A	N.A	N.A	2																					
20	87833-2019	N.A	N.A	N.A	1	YES	N.A	YES	YES	22.65	18.00	21.00	20.85	14.00	N.A	2.16										
	87833-2020	N.A	87833-7220	N.A	2																					
	87833-2021	N.A	N.A	N.A	3																					
	87833-6520	N.A	N.A	N.A	2	YES	N.A	YES	YES							22.65	18.00	21.00	20.85	14.00	N.A	3.18				
	87833-6521	N.A	N.A	(A14) 87833-2037	3																					
	87833-2036	N.A	N.A	N.A	3																					
87833-2219	N.A	N.A	N.A	1																						
22	87833-2220	N.A	N.A	N.A	2	YES	N.A	YES	YES	24.65	20.00	23.00	22.85	16.00	N.A							2.16				
	87833-2221	N.A	N.A	N.A	3																					
	87833-2419	N.A	N.A	N.A	1																					
24	87833-2420	N.A	87833-7020	N.A	2	YES	N.A	YES	YES	26.65	22.00	25.00	24.85	18.00	N.A	2.16										
	87833-2421	N.A	N.A	N.A	3																					
	87833-7320	N.A	N.A	N.A	2											YES	N.A	YES	YES	26.65	22.00	25.00	24.85	18.00	N.A	2.00
	87833-2436	N.A	N.A	N.A	3																					
	87833-6920	N.A	N.A	N.A	2																					
	87833-6920	N.A	N.A	N.A	2																					

PLATING OPTIONS:

- 1 - 0.05-0.13µm/2-5µin GOLD IN CONTACT AREA AND 1.88µm/75µin MIN. MATTE TIN IN SOLDER TAIL AREA OVER 1.27µm/50µin MIN. NICKEL OVERALL.
- 2 - 0.38µm/15µin MIN. GOLD IN CONTACT AREA AND 1.88µm/75µin MIN. MATTE TIN IN SOLDER TAIL AREA OVER 1.27µm/50µin MIN. NICKEL OVERALL.
- 3 - 0.76µm/30µin MIN. GOLD IN CONTACT AREA AND 1.88µm/75µin MIN. MATTE TIN IN SOLDER TAIL AREA OVER 1.27µm/50µin MIN. NICKEL OVERALL.

THIS DRAWING CONTAINS INFORMATION THAT IS PROPRIETARY TO MOLEX ELECTRONIC TECHNOLOGIES, LLC AND SHOULD NOT BE USED WITHOUT WRITTEN PERMISSION

EC NO: 727481 DRWN: DANUSA CHK'D: DANUSA REV APPR: MIRAMAKRISHNA 2022/11/07 2022/11/07 2022/11/07	GENERAL TOLERANCES (UNLESS SPECIFIED)		DIMENSION UNITS		SCALE								
			MM	INCH	MM	NTS							
	4 PLACES	±		±	DRWN BY	DATE		MILLIGRID, 2MM PITCH SHROUDED HEADER R/A, THROUGH HOLE					
	3 PLACES	±		±	GMENARLY	2015/09/29							
	2 PLACES	±	0.2	±	CHK'D BY	DATE							
	1 PLACES	±		±	CGOH	2015/10/30		PRODUCT CUSTOMER DRAWING					
0 PLACES	±		±	APPR BY	DATE								
ANGULAR TOL = 3.0			DRAWING SIZE	THIRD ANGLE PROJECTION		KHLIM		2015/11/03		SERIES	MATERIAL NUMBER	CUSTOMER	
DRAFT WHERE APPLICABLE MUST REMAIN WITHIN DIMENSIONS			A3			87833	SEE TABLE	GENERAL MARKET		DOCUMENT NUMBER	DOC TYPE	DOC PART	SHEET NUMBER
						SD-87833-0001		PSD	001	7 OF 9			


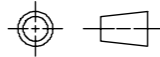
26 TO 38 CIRCUITS

CKT SIZE	ASSY. P/N WITHOUT KAPTON IN TUBE	ASSY. P/N WITH KAPTON IN TUBE	ASSY. P/N WITH KAPTON IN T&R	PLATING OPTIONS	FRICTION LOCKS		DUAL SIDE SLOTS	CENTER POLARIZATION	DIMENSION						
					DUAL	CENTER			A	B	C	D	E	F	G (SOLDER TAIL)
26	87833-2619	N.A	N.A	1					28.65	24.00	27.00	26.85	20.00	N.A	2.16
	87833-2620	N.A	N.A	2	YES	N.A	YES	YES							
	87833-2621	N.A	N.A	3											
	87833-2636	N.A	N.A	3	YES	N.A	YES	YES							3.50
28	87833-2819	N.A	N.A	1					30.65	26.00	29.00	28.85	22.00	N.A	2.16
	87833-2820	N.A	N.A	2	YES	N.A	YES	YES							
	87833-2821	N.A	N.A	3											
	87833-6620	N.A	N.A	2	YES	N.A	YES	YES							3.18
30	87833-3019	N.A	N.A	1					32.65	28.00	31.00	30.85	24.00	N.A	2.16
	87833-3020	N.A	N.A	2	YES	N.A	YES	YES							
	87833-3021	N.A	N.A	3											
	87833-6720	N.A	N.A	2	YES	N.A	YES	YES							3.18
	87833-6721	N.A	N.A	3											
	87833-3036	N.A	N.A	3	YES	N.A	YES	YES							3.50
32	87833-3219	N.A	N.A	1					34.65	30.00	33.00	32.85	26.00	N.A	2.16
	87833-3220	N.A	N.A	2	YES	N.A	YES	YES							
	87833-3221	N.A	N.A	3											
34	87833-3419	N.A	N.A	1					36.65	32.00	35.00	34.85	28.00	N.A	2.16
	87833-3420	N.A	N.A	2	YES	N.A	YES	YES							
	87833-3421	N.A	N.A	3											
	87833-5420	N.A	N.A	2	YES	N.A	YES	YES							3.18
	87833-3424	N.A	N.A	2	N.A	N.A	YES	YES							2.92
36	87833-3619	N.A	N.A	1					38.65	34.00	37.00	36.85	30.00	N.A	2.16
	87833-3620	N.A	N.A	2	YES	N.A	YES	YES							
	87833-3621	N.A	N.A	3											
38	87833-3819	N.A	N.A	1					40.65	36.00	39.00	38.85	32.00	N.A	2.16
	87833-3820	N.A	N.A	2	YES	N.A	YES	YES							
	87833-3821	N.A	N.A	3											

PLATING OPTIONS:

- 1 - 0.05-0.13µm/2-5µin GOLD IN CONTACT AREA AND 1.88µm/75µin MIN. MATTE TIN IN SOLDER TAIL AREA OVER 1.27µm/50µin MIN. NICKEL OVERALL.
- 2 - 0.38µm/15µin MIN. GOLD IN CONTACT AREA AND 1.88µm/75µin MIN. MATTE TIN IN SOLDER TAIL AREA OVER 1.27µm/50µin MIN. NICKEL OVERALL.
- 3 - 0.76µm/30µin MIN. GOLD IN CONTACT AREA AND 1.88µm/75µin MIN. MATTE TIN IN SOLDER TAIL AREA OVER 1.27µm/50µin MIN. NICKEL OVERALL.

THIS DRAWING CONTAINS INFORMATION THAT IS PROPRIETARY TO MOLEX ELECTRONIC TECHNOLOGIES, LLC AND SHOULD NOT BE USED WITHOUT WRITTEN PERMISSION

EC NO: 727481 DRWN: DANUSA CHKD: DANUSA REV APPR: MIRAMAKRISHNA	2022/11/07	GENERAL TOLERANCES (UNLESS SPECIFIED)		DIMENSION UNITS		SCALE					
	2022/11/07	MM	INCH	MM	NTS						
	2022/11/07	4 PLACES ±	±	DRWN BY	DATE	MILLIGRID, 2MM PITCH SHROUDED HEADER R/A, THROUGH HOLE					
		3 PLACES ±	±	GMENARLY	2015/09/29						
		2 PLACES ± 0.2	±	CHK'D BY	DATE						
	1 PLACES ±	±	CGOH	2015/10/30	PRODUCT CUSTOMER DRAWING						
	0 PLACES ±	±	APPR BY	DATE							
	ANGULAR TOL = 3.0		KHLIM	2015/11/03	SERIES	MATERIAL NUMBER	CUSTOMER				
	DRAFT WHERE APPLICABLE MUST REMAIN WITHIN DIMENSIONS		DRAWING SIZE	THIRD ANGLE PROJECTION	87833	SEE TABLE	GENERAL MARKET				
			A3		DOCUMENT NUMBER		DOC TYPE	DOC PART	SHEET NUMBER		
					SD-87833-0001		PSD	001	8 OF 9		

40 TO 50 CIRCUITS

CKT SIZE	ASSY. P/N WITHOUT KAPTON IN TUBE	ASSY. P/N WITH KAPTON IN TUBE	ASSY. P/N WITH KAPTON IN T&R	ASSY. P/N WITHOUT KAPTON IN T&R	PLATING OPTIONS	FRICTION LOCKS		DUAL SIDE SLOTS	CENTER POLARIZATION	DIMENSION						
						DUAL	CENTER			A	B	C	D	E	F	G (SOLDER TAIL)
40	87833-4019	N.A	N.A	N.A	1											
	87833-4020	N.A	N.A	N.A	2	YES	N.A	YES	YES	42.65	38.00	41.00	40.85	34.00	N.A	2.16
	87833-4021	N.A	N.A	N.A	3											
42	87833-4219	N.A	N.A	N.A	1											
	87833-4220	N.A	N.A	N.A	2	YES	N.A	YES	YES	44.65	40.00	43.00	42.85	36.00	N.A	2.16
	87833-4221	N.A	N.A	N.A	3											
	87833-4222	N.A	87833-4322	87833-4223	3	YES	N.A	YES	YES							3.50
44	87833-4419	N.A	N.A	N.A	1											
	87833-4420	N.A	N.A	N.A	2					44.65	40.00	43.00	42.85	38.00	N.A	2.16
	87833-4421	N.A	N.A	N.A	3											
	87833-4424	N.A	N.A	N.A	2	N.A	N.A	YES	YES	2.16	42.00	45.00	44.85			
	87833-4425	N.A	N.A	N.A	3											2.92
46	87833-4619	N.A	N.A	N.A	1											
	87833-4620	N.A	N.A	N.A	2	YES	N.A	YES	YES	48.65	44.00	47.00	46.85	40.00	N.A	2.16
	87833-4621	N.A	N.A	N.A	3											
48	87833-4819	N.A	N.A	N.A	1											
	87833-4820	N.A	N.A	N.A	2	YES	N.A	YES	YES	50.65	46.00	49.00	48.85	42.00	N.A	2.16
	87833-4821	N.A	N.A	N.A	3											
50	87833-5019	N.A	N.A	N.A	1											
	87833-5020	N.A	N.A	N.A	2	YES	N.A	YES	YES	52.65	48.00	51.00	50.85	44.00	N.A	2.16
	87833-5021	N.A	N.A	N.A	3											

PLATING OPTIONS:

- 1 - 0.05-0.13µm/2-5µin GOLD IN CONTACT AREA AND 1.88µm/75µin MIN. MATTE TIN IN SOLDER TAIL AREA OVER 1.27µm/50µin MIN. NICKEL OVERALL.
- 2 - 0.38µm/15µin MIN. GOLD IN CONTACT AREA AND 1.88µm/75µin MIN. MATTE TIN IN SOLDER TAIL AREA OVER 1.27µm/50µin MIN. NICKEL OVERALL.
- 3 - 0.76µm/30µin MIN. GOLD IN CONTACT AREA AND 1.88µm/75µin MIN. MATTE TIN IN SOLDER TAIL AREA OVER 1.27µm/50µin MIN. NICKEL OVERALL.

THIS DRAWING CONTAINS INFORMATION THAT IS PROPRIETARY TO MOLEX ELECTRONIC TECHNOLOGIES, LLC AND SHOULD NOT BE USED WITHOUT WRITTEN PERMISSION

EC NO: 727481 DRWN: DANUSA CHK'D: DANUSA REV APPR: MIRAMAKRISHNA	GENERAL TOLERANCES (UNLESS SPECIFIED)		DIMENSION UNITS		SCALE		molex MILLIGRID, 2MM PITCH SHROUDED HEADER R/A, THROUGH HOLE			
			MM	INCH	MM	NTS				
	4 PLACES	±			DRWN BY	DATE	PRODUCT CUSTOMER DRAWING			
	3 PLACES	±			GMENARLY	2015/09/29				
	2 PLACES	± 0.2			CHK'D BY	DATE				
	1 PLACES	±			CGOH	2015/10/30	SERIES: 87833 MATERIAL NUMBER: SEE TABLE CUSTOMER: GENERAL MARKET			
0 PLACES	±			APPR BY	DATE					
ANGULAR TOL = 3.0		DRAWING SIZE		THIRD ANGLE PROJECTION		DOCUMENT NUMBER: SD-87833-0001 DOC TYPE: PSD DOC PART: 001 SHEET NUMBER: 9 OF 9				
DRAFT WHERE APPLICABLE MUST REMAIN WITHIN DIMENSIONS		A3								