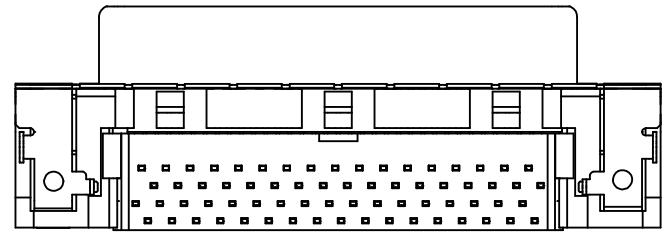
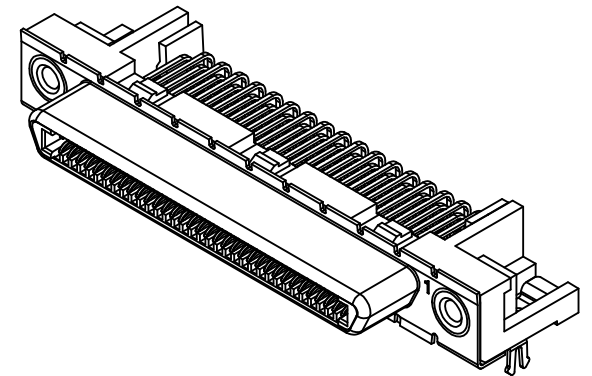
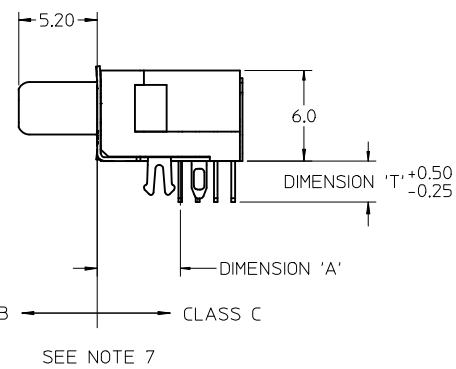
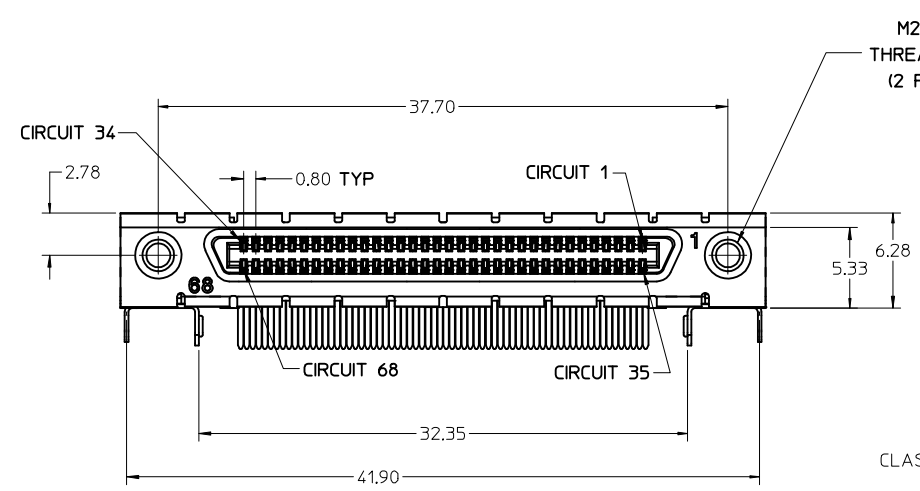
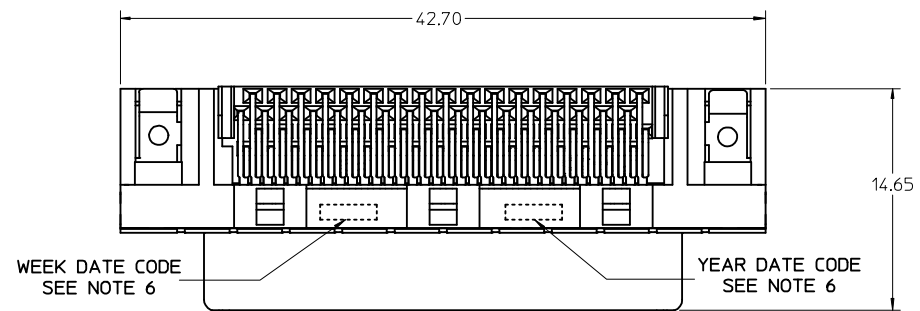


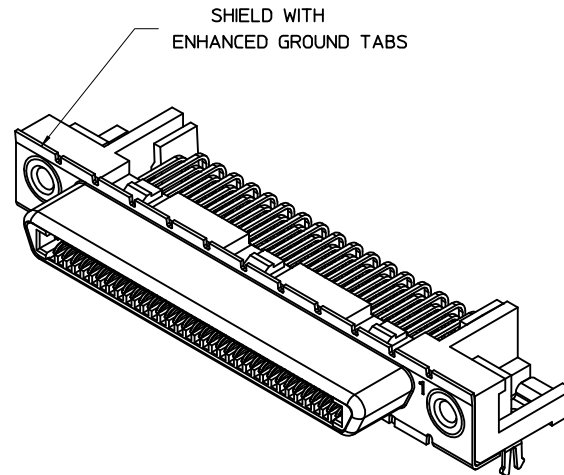
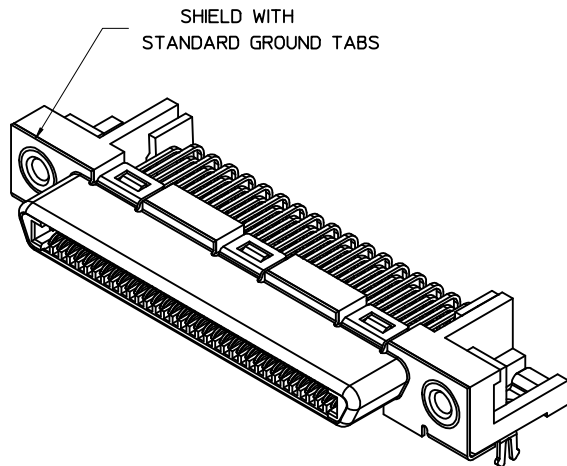
**NOTES:**

1. MATERIALS:  
 HOUSING: GLASS-FILLED LIQUID CRYSTAL POLYMER (LCP), UL94 V-0, COLOR: BLACK  
 TAIL ALIGNER: GLASS-FILLED LIQUID CRYSTAL POLYMER (LCP),  
 TERMINAL: PHOSPHOR BRONZE  
 BRACKET: BRASS  
 SHELL: STEEL  
 INSERT: BRASS
2. FINISHES:  
 TERMINAL: 0.05-0.25 MICROMETERS GOLD FLASH IN CRITICAL AREA  
 OVER 0.75 MICROMETERS MINIMUM PALLADIUM NICKEL IN  
 CRITICAL AREA. 1.87 MICROMETERS MINIMUM TIN IN  
 SOLDER TAIL AREA OVER A NICKEL UNDERPLATE.  
 SHIELD: 3.8 MICROMETERS MINIMUM BRIGHT TIN OVER NICKEL.  
 INSERT: 2.54 MICROMETERS MINIMUM NICKEL.
3. PART CONFORMS TO MOLEX PRODUCT SPECIFICATION PS-71425-9999.
4. PACKAGED PER PK-71430-0101.
5. APPLICABLE STANDARDS: EIA-3652 AND SFF-8441.
6. DATE CODE: YR/WK PER EIA-476-A.
7. PRODUCT COMPLIES WITH COSMETIC SPECIFICATION PS-45499-002.  
 SEE SIDE VIEW FOR SURFACE CLASSIFICATIONS.
8. TORQUE TO INSTALL SCREWLOCKS INTO THREADED INSERTS:  
 0.34 Nm MAXIMUM.



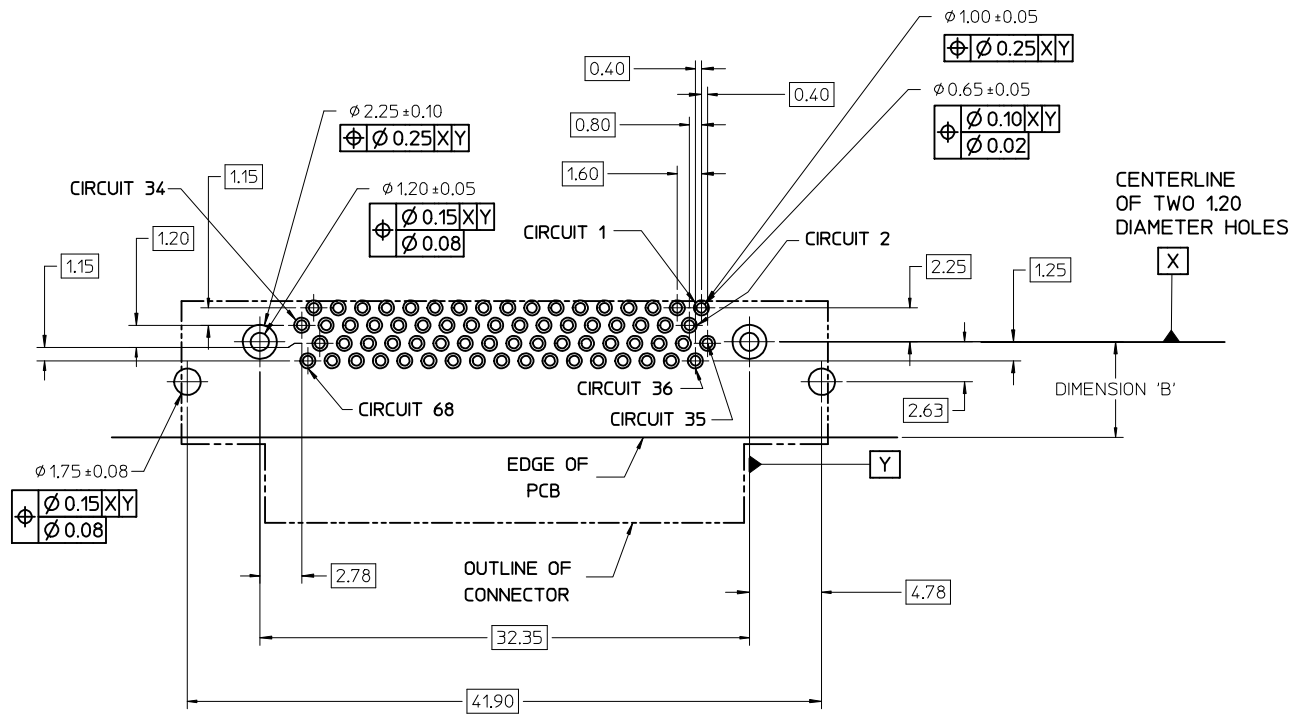
<b>FIX TAIL TOLERANCE</b> EC NO: UCP2012-3896 DRWN:BBARKER 2012/05/29 CHKD:MMOLFE APPR:SMILLER 2012/08/31	QUALITY SYMBOLS ∇=0 ∇=0 ∇=0	GENERAL TOLERANCES (UNLESS SPECIFIED)		DIMENSION STYLE <b>MM ONLY</b>		SCALE 4:1	DESIGN UNITS METRIC	THIRD ANGLE PROJECTION	
		4 PLACES ± --- ± ---	DRAWN BY KSTILES	DATE 11/14/2002	TITLE VHDCI RIGHT ANGLE ASSEMBLY				
		3 PLACES ± --- ± ---	CHECKED BY KSTILES	DATE 11/15/2002	DOCUMENT NO. SD-71430-015				
		2 PLACES ± 0.13 ± ---	APPROVED BY MBNAKIS	DATE 11/22/2002	SHEET NO. 1 OF 3				
1 PLACE ± 0.25 ± ---	MATERIAL NO. SEE SHEET 2		THIS DRAWING CONTAINS INFORMATION THAT IS PROPRIETARY TO MOLEX INCORPORATED AND SHOULD NOT BE USED WITHOUT WRITTEN PERMISSION						
0 PLACE ± ±	ANGULAR ±1/2°		DRAFT WHERE APPLICABLE MUST REMAIN WITHIN DIMENSIONS						

PCB THICKNESS	PART NUMBER	TAIL LENGTH *T* (SEE FIGURE FOR TOLERANCE)	ENHANCED GROUND TABS	SCREWLOCKS	TAIL LOC. *A*	HOLE LOCATION *B*
1.60	71430-0101	2.08	NO	NONE	5.5	6.50 MAXIMUM
1.60	71430-0007	2.08	NO	LOOSE IN BAGS		
1.60	71430-0005	2.08	YES	NONE		
1.60	71430-0008	2.08	YES	LOOSE IN BAGS		
2.36	71430-0268	2.71	NO	NONE		
2.36	71430-0006	2.71	NO	INSTALLED		
2.36	71430-0004	2.71	YES	NONE		
2.36	71430-0009	2.71	YES	INSTALLED		
2.36	71430-0016	2.71	NO	LOOSE IN BAGS		
2.36	71430-0019	2.71	YES	LOOSE IN BAGS		
2.36	71430-0012	2.71	YES	NONE	5.3	6.30 MAXIMUM
1.60	71430-0013	2.08	YES	NONE		



OPTIONAL SCREWLOCK  
PART NUMBER 71433-0002

SEE SHEET 1 EC NO: UCP2012-3896 DRWN:BBARKER 2012/05/29 CHKD:MMOLFE APPR:SMILLER 2012/08/31	QUALITY SYMBOLS	GENERAL TOLERANCES (UNLESS SPECIFIED)	DIMENSION STYLE	SCALE	DESIGN UNITS	THIRD ANGLE PROJECTION
	▽=0	mm INCH	MM ONLY	4:1	METRIC	
	▽=0	4 PLACES ± --- ± ---	DRAWN BY DATE	TITLE		
	▽=0	3 PLACES ± --- ± ---	CHECKED BY DATE	VHDCI RIGHT ANGLE ASSEMBLY		
	2 PLACES ± 0.13 ± ---	APPROVED BY DATE	molex			
	1 PLACE ± 0.25 ± ---	MATERIAL NO.	DOCUMENT NO.			
	0 PLACE ± ±	SEE TABLE	SD-71430-015			
	ANGULAR ±1/2°	DRAFT WHERE APPLICABLE MUST REMAIN WITHIN DIMENSIONS	SHEET NO. 2 OF 3			
			THIS DRAWING CONTAINS INFORMATION THAT IS PROPRIETARY TO MOLEX INCORPORATED AND SHOULD NOT BE USED WITHOUT WRITTEN PERMISSION			



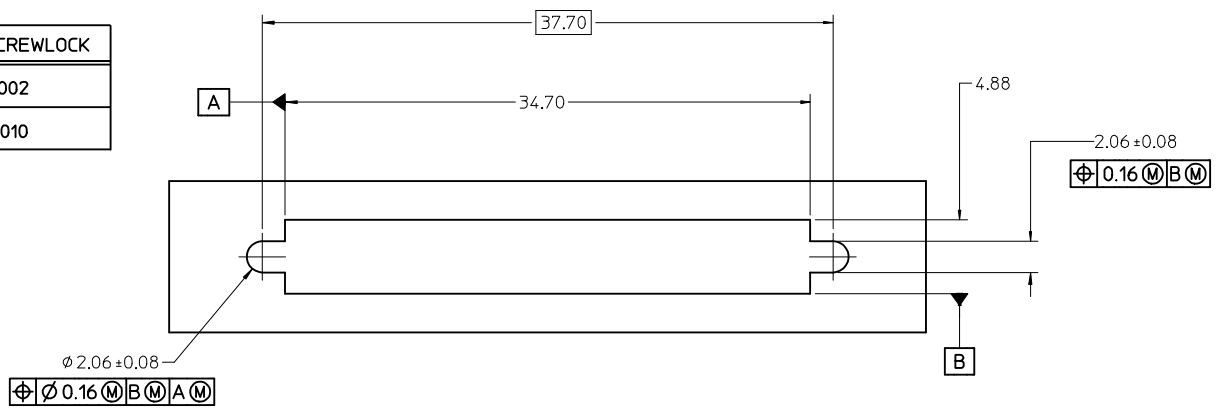
NOTES:

1. FOR FULL MATE WITH PLUG, PANEL THICKNESS SHOULD NOT EXCEED 1.0mm.

FUNCTIONAL MATING WITH MOLEX PLUG CAN STILL BE MAINTAINED WITH PANELS AS THICK AS 2.5mm (BUT PLUG AND RECEPTACLE WILL NOT BE FULLY MATED).

2. GUIDELINES FOR CHOOSING A MOLEX SCREWLOCK:

PANEL THICKNESS	RECOMMENDED SCREWLOCK
LESS THAN OR EQUAL TO 1.00 MM	71433-0002
1.01 TO 2.15 MM	71433-0010



SEE SHEET 1 EC NO: UCP2012-3896 DRWN:BBARKER 2012/05/29 CHKD:HWOLFE APPR:SMILLER 2012/08/31	QUALITY SYMBOLS	GENERAL TOLERANCES (UNLESS SPECIFIED)	DIMENSION STYLE MM ONLY	SCALE 4:1	DESIGN UNITS METRIC	THIRD ANGLE PROJECTION
	▽=0	mm INCH	DRAWN BY DATE KSTILES 11/14/2002	TITLE VHCI RIGHT ANGLE ASSEMBLY	<b>molex</b> SD-71430-015 SHEET NO. 3 OF 3	
	▽=0	4 PLACES ± --- ± ---	CHECKED BY DATE KSTILES 11/15/2002			
	▽=0	3 PLACES ± --- ± ---	APPROVED BY DATE MBNAKIS 11/22/2002			
		2 PLACES ± 0.13 ± ---	MATERIAL NO.	DOCUMENT NO.		
	1 PLACE ± 0.25 ± ---	SEE SHEET 2				
	0 PLACE ± ±	DRAFT WHERE APPLICABLE MUST REMAIN WITHIN DIMENSIONS	SIZE C	THIS DRAWING CONTAINS INFORMATION THAT IS PROPRIETARY TO MOLEX INCORPORATED AND SHOULD NOT BE USED WITHOUT WRITTEN PERMISSION		

**NOTES:**

**1. MATERIALS:**

HOUSING: GLASS-FILLED LIQUID CRYSTAL POLYMER (LCP), UL94 V-0, COLOR: BLACK  
 TAIL ALIGNER: GLASS-FILLED LIQUID CRYSTAL POLYMER (LCP),  
 TERMINAL: PHOSPHOR BRONZE  
 BRACKET: BRASS  
 SHELL: STEEL  
 INSERT: BRASS

**2. FINISHES:**

TERMINAL: 0.05-0.25 MICROMETERS GOLD FLASH IN CRITICAL AREA  
 OVER 0.75 MICROMETERS MINIMUM PALLADIUM NICKEL IN  
 CRITICAL AREA. 1.87 MICROMETERS MINIMUM TIN IN  
 SOLDER TAIL AREA OVER A NICKEL UNDERPLATE.  
 SHIELD: 3.8 MICROMETERS MINIMUM BRIGHT TIN OVER NICKEL.  
 INSERT: 2.54 MICROMETERS MINIMUM NICKEL.

**3. PART CONFORMS TO MOLEX PRODUCT SPECIFICATION PS-71425-9999.**

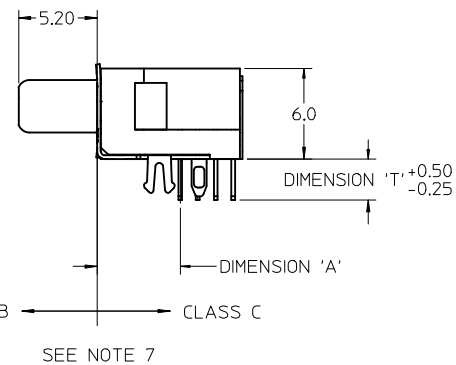
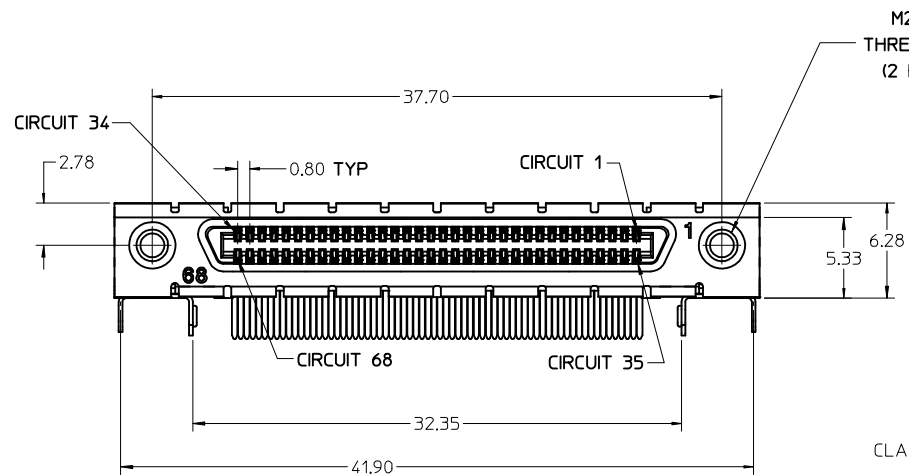
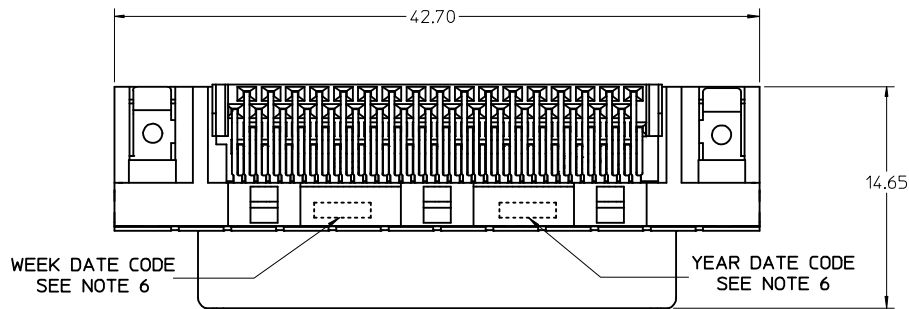
**4. PACKAGED PER PK-71430-0101.**

**5. APPLICABLE STANDARDS: EIA-3652 AND SFF-8441.**

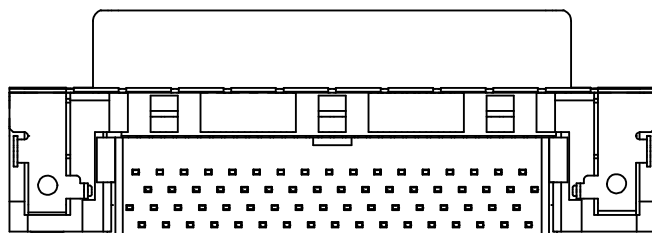
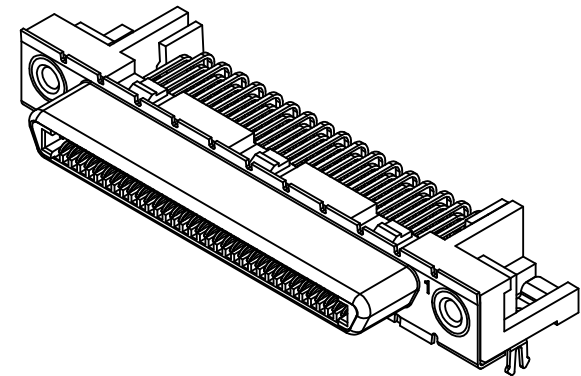
**6. DATE CODE: YR/WK PER EIA-476-A.**

**7. PRODUCT COMPLIES WITH COSMETIC SPECIFICATION PS-45499-002.  
 SEE SIDE VIEW FOR SURFACE CLASSIFICATIONS.**

**8. TORQUE TO INSTALL SCREWLOCKS INTO THREADED INSERTS:  
 0.34 Nm MAXIMUM.**

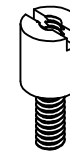
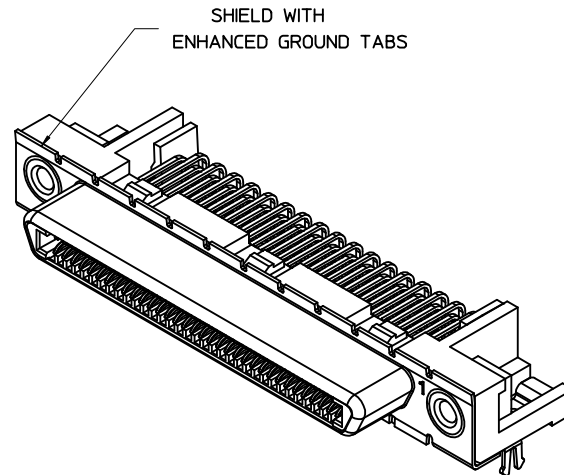
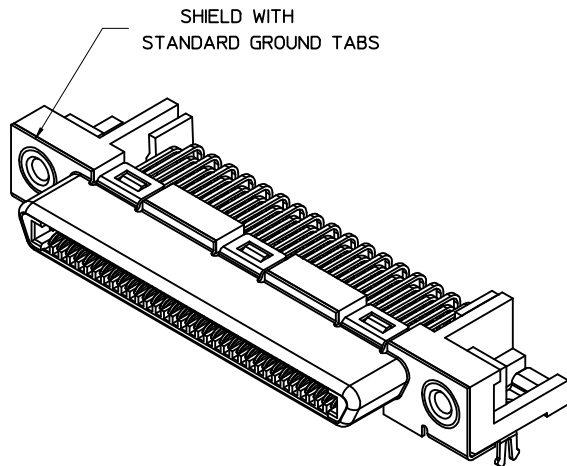


SEE NOTE 7



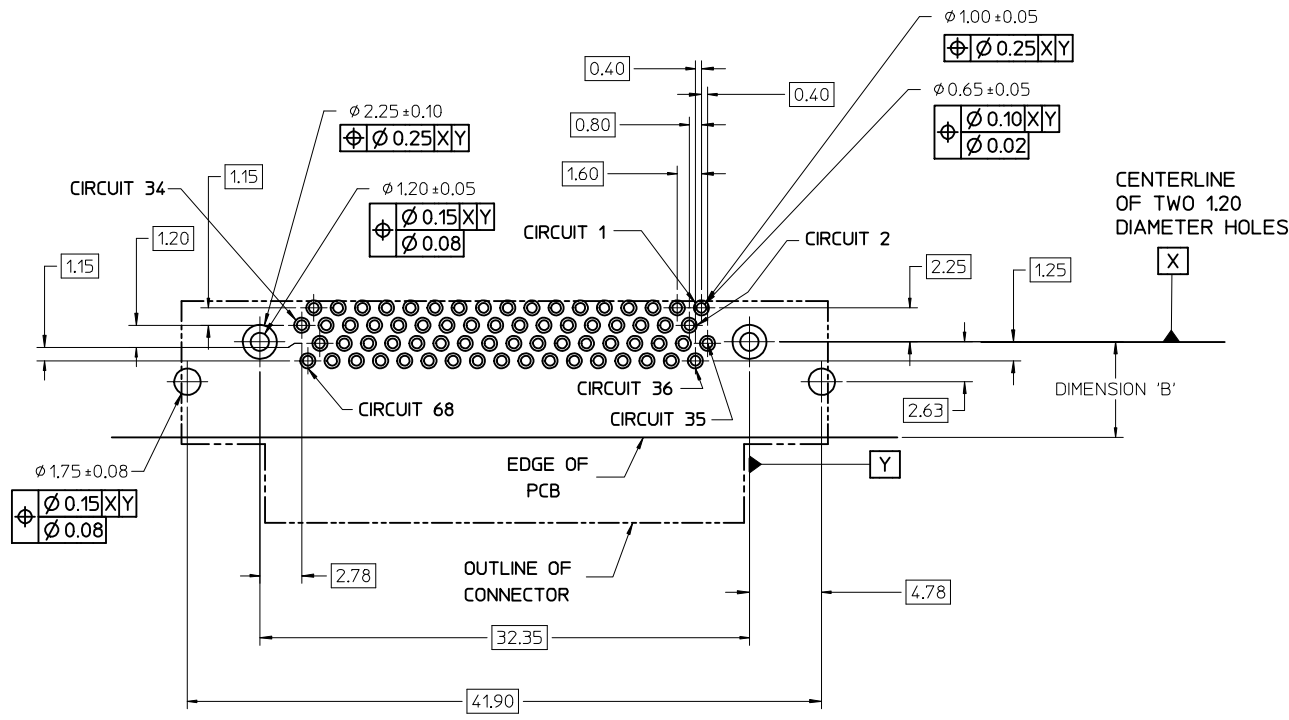
<b>FIX TAIL TOLERANCE</b> EC NO: UCP2012-3896 DRW: BARKER 2012/05/29 CHKD: MWLF APPR: SMILLER 2012/08/31	QUALITY SYMBOLS ∇=0 ∇=0 ∇=0	GENERAL TOLERANCES (UNLESS SPECIFIED)		DIMENSION STYLE <b>MM ONLY</b>		SCALE 4:1	DESIGN UNITS METRIC	THIRD ANGLE PROJECTION	
		4 PLACES ± --- ± ---	DRAWN BY KSTILES	DATE 11/14/2002	TITLE VHDCI RIGHT ANGLE ASSEMBLY			DOCUMENT NO. SD-71430-015	SHEET NO. 1 OF 3
		3 PLACES ± --- ± ---	CHECKED BY KSTILES	DATE 11/15/2002	APPROVED BY MBNAKIS				
		2 PLACES ± 0.13 ± ---	MATERIAL NO. SEE SHEET 2		DRAFT WHERE APPLICABLE MUST REMAIN WITHIN DIMENSIONS				
1 PLACE ± 0.25 ± ---	SIZE C		THIS DRAWING CONTAINS INFORMATION THAT IS PROPRIETARY TO MOLEX INCORPORATED AND SHOULD NOT BE USED WITHOUT WRITTEN PERMISSION						
0 PLACE ± ±	ANGULAR ±1/2°								

PCB THICKNESS	PART NUMBER	TAIL LENGTH *T* (SEE FIGURE FOR TOLERANCE)	ENHANCED GROUND TABS	SCREWLOCKS	TAIL LOC. *A*	HOLE LOCATION *B*
1.60	71430-0101	2.08	NO	NONE	5.5	6.50 MAXIMUM
1.60	71430-0007	2.08	NO	LOOSE IN BAGS		
1.60	71430-0005	2.08	YES	NONE		
1.60	71430-0008	2.08	YES	LOOSE IN BAGS		
2.36	71430-0268	2.71	NO	NONE		
2.36	71430-0006	2.71	NO	INSTALLED		
2.36	71430-0004	2.71	YES	NONE		
2.36	71430-0009	2.71	YES	INSTALLED		
2.36	71430-0016	2.71	NO	LOOSE IN BAGS		
2.36	71430-0019	2.71	YES	LOOSE IN BAGS		
2.36	71430-0012	2.71	YES	NONE	5.3	6.30 MAXIMUM
1.60	71430-0013	2.08	YES	NONE		



OPTIONAL SCREWLOCK  
PART NUMBER 71433-0002

SEE SHEET 1 EC NO: UCP2012-3896 DRWN:BBARKER 2012/05/29 CHKD:MMOLFE APPR:SMILLER 2012/08/31	QUALITY SYMBOLS	GENERAL TOLERANCES (UNLESS SPECIFIED)		DIMENSION STYLE <b>MM ONLY</b>		SCALE 4:1	DESIGN UNITS METRIC	THIRD ANGLE PROJECTION	
	▽=0	mm	INCH	DRAWN BY	DATE	TITLE <b>VHDCI RIGHT ANGLE ASSEMBLY</b>			
	▽=0	4 PLACES ± ---	± ---	KSTILES	11/14/2002				
	▽=0	3 PLACES ± ---	± ---	CHECKED BY	DATE	<b>molex</b>			
▽=0	2 PLACES ± 0.13	± ---	KSTILES	11/15/2002					
	1 PLACE ± 0.25	± ---	APPROVED BY	DATE	DOCUMENT NO. <b>SD-71430-015</b>				
	0 PLACE ±	±	MBNAKIS	11/22/2002					
		ANGULAR ±1/2°		MATERIAL NO.		SHEET NO. 2 OF 3			
		DRAFT WHERE APPLICABLE MUST REMAIN WITHIN DIMENSIONS		SEE TABLE		THIS DRAWING CONTAINS INFORMATION THAT IS PROPRIETARY TO MOLEX INCORPORATED AND SHOULD NOT BE USED WITHOUT WRITTEN PERMISSION			



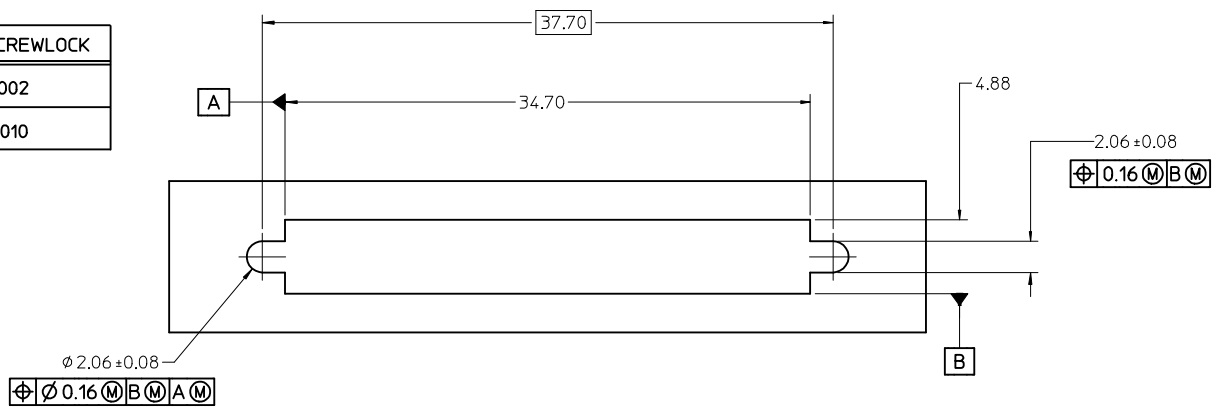
NOTES:

1. FOR FULL MATE WITH PLUG, PANEL THICKNESS SHOULD NOT EXCEED 1.0mm.

FUNCTIONAL MATING WITH MOLEX PLUG CAN STILL BE MAINTAINED WITH PANELS AS THICK AS 2.5mm (BUT PLUG AND RECEPTACLE WILL NOT BE FULLY MATED).

2. GUIDELINES FOR CHOOSING A MOLEX SCREWLOCK:

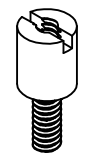
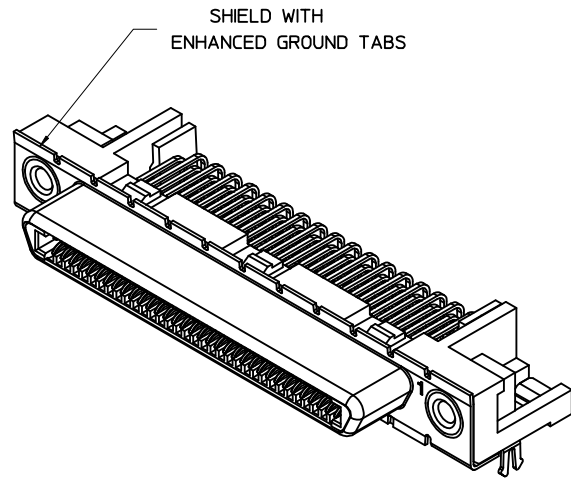
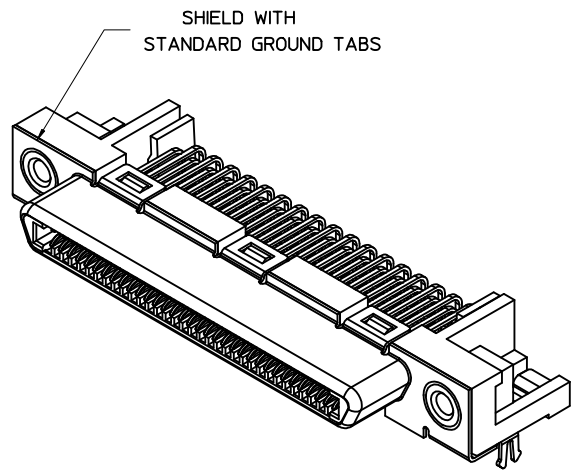
PANEL THICKNESS	RECOMMENDED SCREWLOCK
LESS THAN OR EQUAL TO 1.00 MM	71433-0002
1.01 TO 2.15 MM	71433-0010



SEE SHEET 1 EC NO: UCP2012-3896 DRWN:BBARKER 2012/05/29 CHKD:HWOLFE APPR:SMILLER 2012/08/31	QUALITY SYMBOLS	GENERAL TOLERANCES (UNLESS SPECIFIED)	DIMENSION STYLE <b>MM ONLY</b>	SCALE <b>4:1</b>	DESIGN UNITS <b>METRIC</b>	THIRD ANGLE PROJECTION
	▽=0	mm INCH	DRAWN BY DATE KSTILES 11/14/2002	TITLE <b>VHCI RIGHT ANGLE ASSEMBLY</b>		SHEET NO. <b>3 OF 3</b>
	▽=0	4 PLACES ± --- ± ---	CHECKED BY DATE KSTILES 11/15/2002			
	▽=0	3 PLACES ± --- ± ---	APPROVED BY DATE MBNAKIS 11/22/2002			
	2 PLACES ± 0.13 ± ---	MATERIAL NO. <b>SEE SHEET 2</b>	DOCUMENT NO. <b>SD-71430-015</b>			
	1 PLACE ± 0.25 ± ---	ANGULAR ±1/2°	DRAFT WHERE APPLICABLE MUST REMAIN WITHIN DIMENSIONS		THIS DRAWING CONTAINS INFORMATION THAT IS PROPRIETARY TO MOLEX INCORPORATED AND SHOULD NOT BE USED WITHOUT WRITTEN PERMISSION	
	0 PLACE ± ±					



PCB THICKNESS	PART NUMBER	TAIL LENGTH "T" +0.50/-0.25	ENHANCED GROUND TABS	SCREWLOCKS (SEE GUIDELINE FOR CHOOSING A SCREWLOCK ON SHEET 3)	TAIL LOCATION "A"	PCB HOLE LOCATION "B"
1.60		2.08	NO	NONE	5.50	6.50 MAXIMUM
1.60		2.08	NO	71433-2002 LOOSE IN BAGS		
1.60		2.08	YES	NONE		
1.60		2.08	YES	71433-2002 LOOSE IN BAGS		
2.36		2.71	NO	NONE		
2.36		2.71	NO	71433-2002 INSTALLED		
2.36		2.71	YES	NONE		
2.36		2.71	YES	71433-2002 INSTALLED		
2.36		2.71	NO	71433-2002 LOOSE IN BAGS		
2.36	71430-3019	2.71	YES	71433-2002 LOOSE IN BAGS		
2.79	71430-3020	3.62	YES	71433-2002 LOOSE IN BAGS	5.30	6.30 MAXIMUM
2.36		2.71	YES	NONE		
1.60		2.08	YES	NONE		



OPTIONAL SCREWLOCK  
PART NUMBER 71433-2002 SHOWN  
(SEE GUIDELINE FOR CHOOSING  
A SCREWLOCK ON SHEET 3)

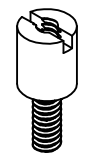
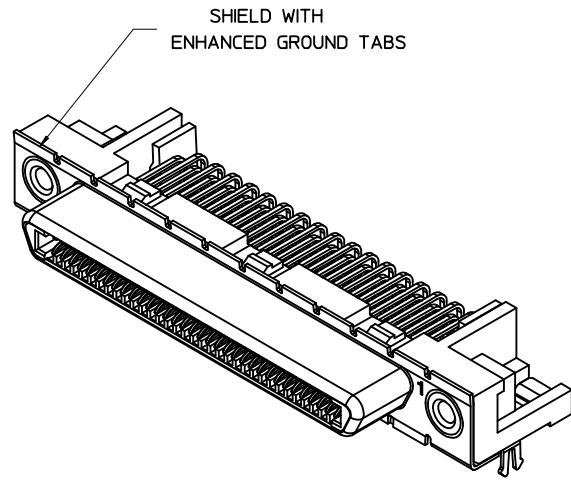
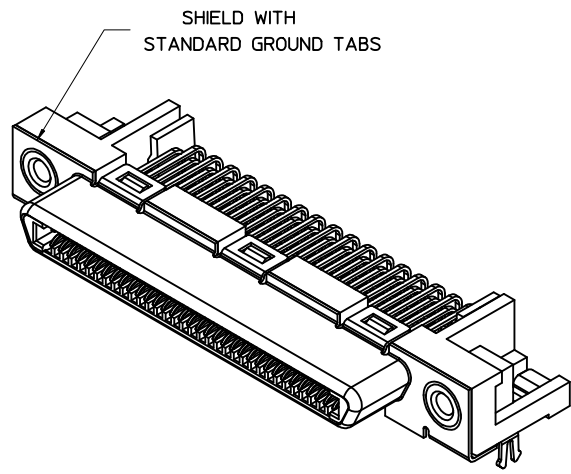
<b>SEE SHEET 1</b> EC NO: UCP2015-5280 DRWNT:IBARRA 2015/06/12 CHKD:BBARKER 2015/06/30 APPR:SMILLER 2015/07/20	QUALITY SYMBOLS 	GENERAL TOLERANCES (UNLESS SPECIFIED)		DIMENSION STYLE <b>MM ONLY</b>	SCALE <b>4:1</b>	DESIGN UNITS <b>METRIC</b>	THIRD ANGLE PROJECTION
		4 PLACES ± --- ± ---	DRAWN BY BBARKER	DATE 2011/02/17	TITLE <b>VHDCI RIGHT ANGLE ASSEMBLY</b>		
		3 PLACES ± --- ± ---	CHECKED BY BSMART	DATE 2011/02/17			
		2 PLACES ± 0.13 ± ---	APPROVED BY SMILLER	DATE 2011/02/25	MATERIAL NO. <b>SEE TABLE</b>	DOCUMENT NO. <b>SD-71430-3000</b>	SHEET NO. <b>2 OF 3</b>
1 PLACE ± 0.25 ± ---	DRAFT WHERE APPLICABLE MUST REMAIN WITHIN DIMENSIONS		SIZE 	THIS DRAWING CONTAINS INFORMATION THAT IS PROPRIETARY TO MOLEX INCORPORATED AND SHOULD NOT BE USED WITHOUT WRITTEN PERMISSION			
0 PLACE ± ±							







PCB THICKNESS	PART NUMBER	TAIL LENGTH "T" +0.50/-0.25	ENHANCED GROUND TABS	SCREWLOCKS (SEE GUIDELINE FOR CHOOSING A SCREWLOCK ON SHEET 3)	TAIL LOCATION "A"	PCB HOLE LOCATION "B"
1.60		2.08	NO	NONE	5.50	6.50 MAXIMUM
1.60		2.08	NO	71433-2002 LOOSE IN BAGS		
1.60		2.08	YES	NONE		
1.60		2.08	YES	71433-2002 LOOSE IN BAGS		
2.36		2.71	NO	NONE		
2.36		2.71	NO	71433-2002 INSTALLED		
2.36		2.71	YES	NONE		
2.36		2.71	YES	71433-2002 INSTALLED		
2.36		2.71	NO	71433-2002 LOOSE IN BAGS		
2.36	71430-3019	2.71	YES	71433-2002 LOOSE IN BAGS		
2.79	71430-3020	3.62	YES	71433-2002 LOOSE IN BAGS	5.30	6.30 MAXIMUM
2.36		2.71	YES	NONE		
1.60		2.08	YES	NONE		



OPTIONAL SCREWLOCK  
PART NUMBER 71433-2002 SHOWN  
(SEE GUIDELINE FOR CHOOSING  
A SCREWLOCK ON SHEET 3)

SEE SHEET 1 EC NO: UCP2015-5280 DRWNT:IBARRA 2015/06/12 CHKD:BBARKER 2015/06/30 APPR:SMILLER 2015/07/20	QUALITY SYMBOLS ▽=0 ▽=0 ▽=0	GENERAL TOLERANCES (UNLESS SPECIFIED)		DIMENSION STYLE MM ONLY		SCALE 4:1	DESIGN UNITS METRIC	THIRD ANGLE PROJECTION		
		4 PLACES ± ---	± ---	mm	INCH	DRAWN BY DATE BBARKER 2011/02/17		VHDCI RIGHT ANGLE ASSEMBLY		
		3 PLACES ± ---	± ---			CHECKED BY DATE BSMART 2011/02/17				
		2 PLACES ± 0.13	± ---			APPROVED BY DATE SMILLER 2011/02/25		molex DOCUMENT NO. SD-71430-3000 SHEET NO. 2 OF 3		
		1 PLACE ± 0.25	± ---			MATERIAL NO.				
0 PLACE ±	±			ANGULAR ±1/2° DRAFT WHERE APPLICABLE MUST REMAIN WITHIN DIMENSIONS		SIZE THIS DRAWING CONTAINS INFORMATION THAT IS PROPRIETARY TO MOLEX INCORPORATED AND SHOULD NOT BE USED WITHOUT WRITTEN PERMISSION				

