



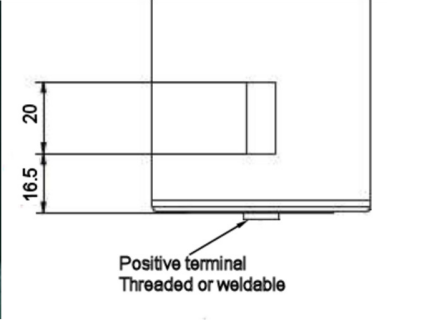
Product Change Notice

PCN#: EE-PCN21022
10/21/2021

CLASSIFICATION OF CHANGE: Mechanical

DESCRIPTION OF CHANGE:

Removing the re-closable overpressure release VALVE in the terminal. ADD one-time notch vent on side of cell.

		
<p>Existing valve design. Pressure relief is in the center of the terminal.</p>	<p>New design: notch in sidewall of can.</p>	

REASON FOR CHANGE:

Valve design releases some gas during normal operation. This can be mistaken interpreted as a defective cell. The design eliminates this possibility.

EXPECTED INFLUENCE ON QUALITY, RELIABILITY, AND PERFORMANCE:

There will be no effect on the quality, reliability, or performance. Changes to form and fit as noted above.

PARTS FAMILIES AFFECTED:

XL60-2R7308T-R
XL60-2R7308W-R
XL60-2R9348T-R
XL60-2R9348W-R

Note: These cells are also used in module products in the XLR and XLM product lines.

TIME SCHEDULE:

Start Shipment Date: 12/1/2021
Last Time Buy Date: N/A
Last Time Shipment Date: N/A

SAMPLE AVAILABILITY:

QUALIFICATION DATA: Upon request

ISSUED BY:

Global Product Manager:

CONTACT INFORMATION:

For questions or comments, please contact your local <https://www.eaton.com/us/en-us/products/electronic-components/contact-us.html>.