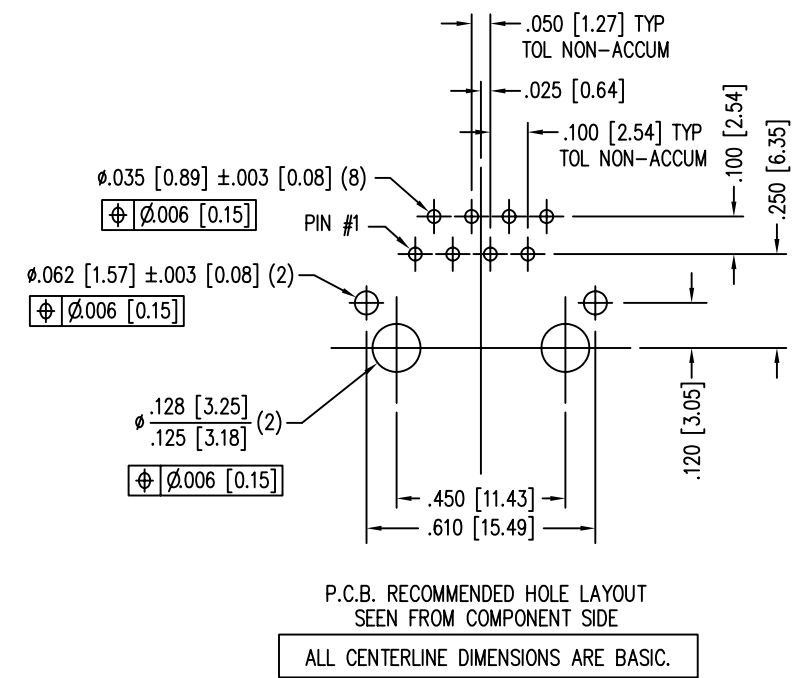
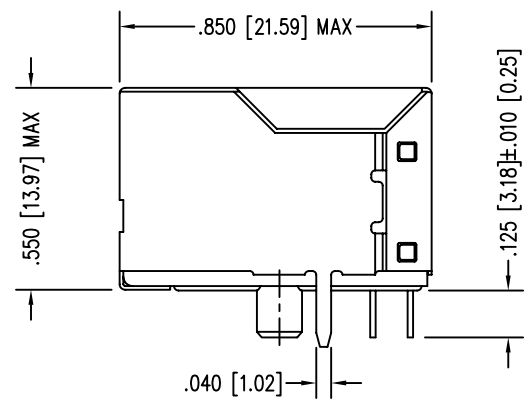
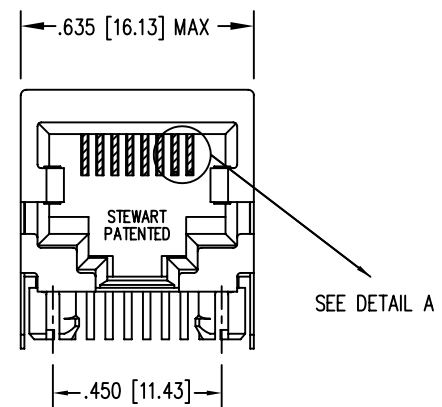


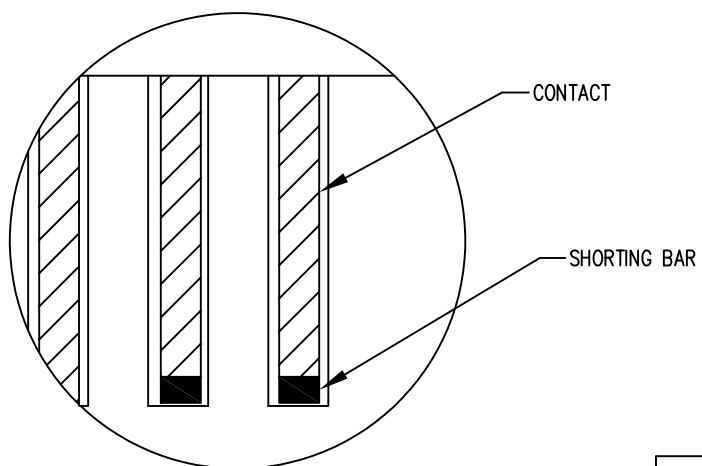
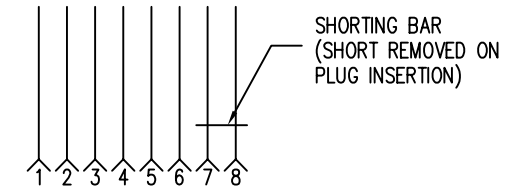
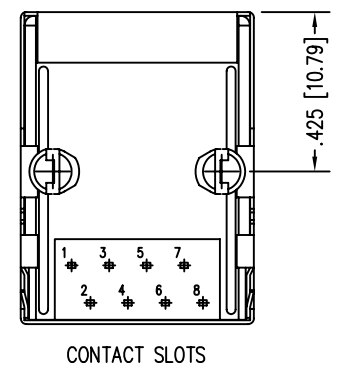
DATE	REV	ECN	APP'D. BY
11-3-04	B5	6593	BS
11-11-05	B6	7375	TRM



P.C.B. RECOMMENDED HOLE LAYOUT
SEEN FROM COMPONENT SIDE
ALL CENTERLINE DIMENSIONS ARE BASIC.

B

B



DETAIL A

NOTES:
CONNECTOR MATERIALS:
HOUSING: HIGH TEMPERATURE THERMOPLASTIC UL94 V-0
CONTACTS: COPPER ALLOY
CONTACT PLATING: SELECTIVE GOLD IN CONTACT AREA
SEE CHART FOR PART NUMBER
FOR PRODUCT SPECIFICATION SEE PR022-01
TOLERANCES COMPLY WITH F.C.C. DIMENSION REQUIREMENTS.

50 MICRO-INCHES [0.76um]	SS-6488S-A-NF-SB02
CONTACT PLATING IN MATING AREA	PART NUMBER

A

A

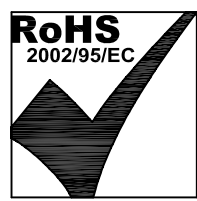
THIRD ANGLE PROJECTION

DO NOT SCALE DRAWING
DRAWING IS SUBJECT TO
CHANGE WITHOUT NOTICE

DIMENSIONS: INCHES [METRIC]

UNLESS OTHERWISE SPECIFIED
TOLERANCES ARE ±.005 [0.13]
ANGLES ARE ± 1°

SHEET NO. 1 OF 1



Bel Stewart Connector

11118 Susquehanna Trail South
Glen Rock, PA 17327-9199
(717) 235-7512 Fax: (717) 235-7954 <http://www.stewartconnector.com>

TITLE: EIGHT CONTACT, EIGHT POSITION, SHORTING BAR JACK
WITH SHORTING CONTACTS 7 TO 8

DRN BY: JAF	DATE: 11-3-04
APPD BY: BS	DATE: 11-3-04
DWG NO. CT640054	REV. B6