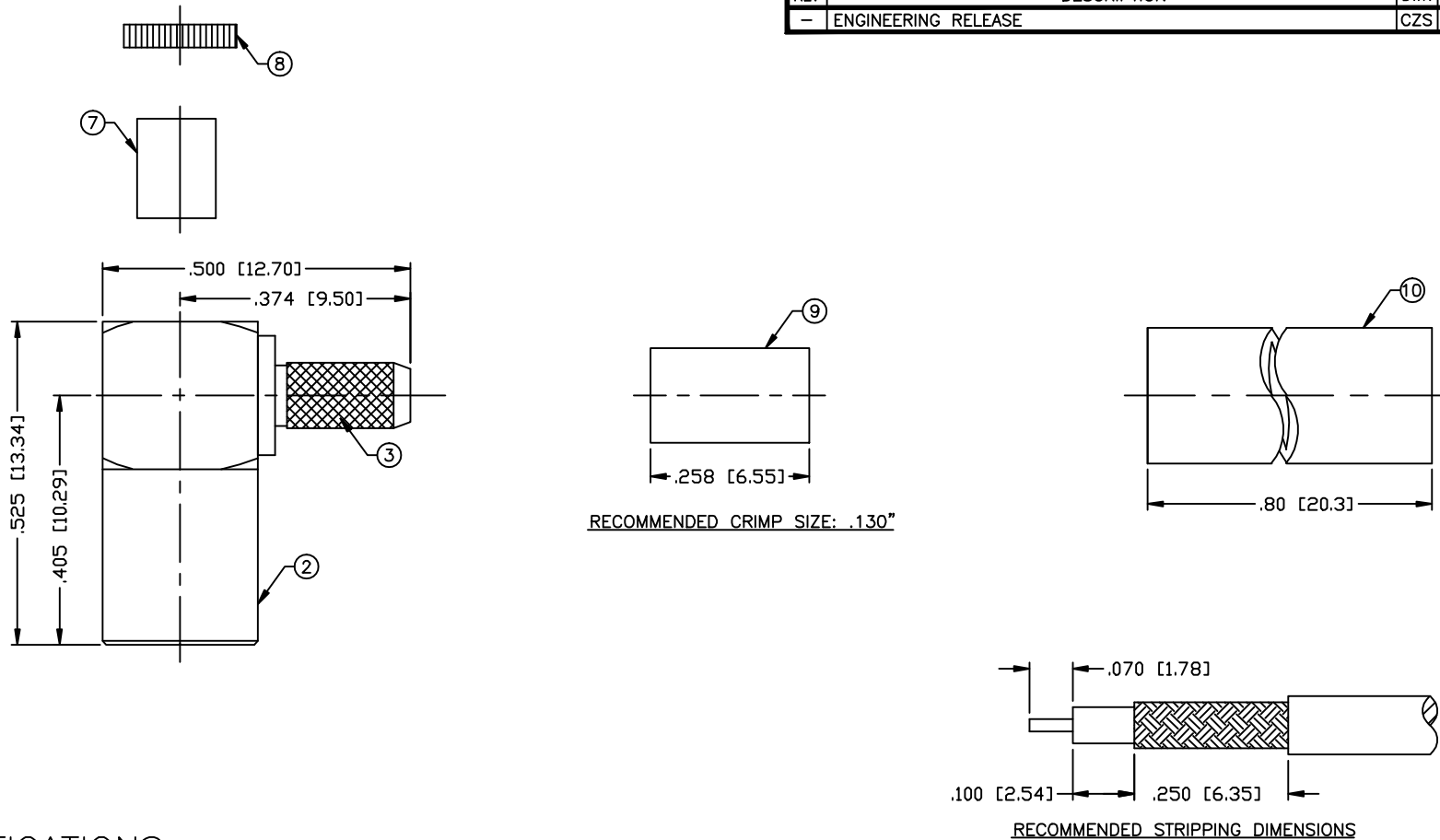


PART NO.

**RSB-4010-1B-03**

REV	DESCRIPTION	DWN	DATE	APPROVED
-	ENGINEERING RELEASE	CZS	06/16/11	JDMc

**SPECIFICATIONS:**

IMPEDANCE: 50 Ohms  
 FREQUENCY RANGE: 0-4 GHz  
 WORKING VOLTAGE: 335 V rms Max. @ Sea Level  
 CONTACT RESISTANCE:  $\leq 6$  m Ohm  
 INSULATION RESISTANCE: 1k M Ohms min.  
 TEMPERATURE RANGE: -65°C TO 165°C  
 FOR RG-174, 188, 188A, 316/U, ALPHA 9174, 9316,  
 BELDEN 8216, 83269, 83284, 84316 & TIMES LMR-100A CABLE

NOTE: ATTACH CABLE TO CONNECTOR BY SOLDERING THE CABLE INNER CONDUCTOR TO THE CONTACT SLOT INSIDE THE CONNECTOR

1	COUPLING NUT	1	BRASS	GOLD, $3\mu$ "
2	PRESS BODY	1	BRASS	GOLD, $3\mu$ "
3	BODY	1	BRASS	GOLD, $3\mu$ "
4	INSULATOR	1	PTFE	---
5	CONTACT	1	Be. Cu.	GOLD, $30\mu$ "
6	RETAINING RING	1	Be. Cu.	---
7	INSULATOR	1	PTFE	---
8	PRESS CAP	1	BRASS	GOLD, $3\mu$ "
9	FERRULE	1	BRASS	GOLD, $3\mu$ "
10	TUBING	1	HEAT SHRINK	---

#	DESCRIPTION	QTY	MATERIAL	FINISH (IN)
---	-------------	-----	----------	-------------

CUSTOMER  
OUTLINE DRAWINGALL DIMENSIONS  
ARE REFERENCE ONLYUNLESS OTHERWISE SPECIFIED:  
DIMENSIONS ARE IN INCHES  
AND [MILLIMETERS]DRAWN  
C. ZUNIGA 06/16/11

CHECKED

ORJ DRAWN  
C. ZUNIGA 06/16/11**RoHS  
COMPLIANT**

PROPRIETARY AND CONFIDENTIAL  
THIS DRAWING CONTAINS  
INFORMATION PROPRIETARY TO  
RF INDUSTRIES. ANY  
UNAUTHORIZED USE OF THIS  
DRAWING IS EXPRESSLY  
PROHIBITED WITHOUT WRITTEN  
PERMISSION FROM RF  
INDUSTRIES. ANY VIOLATION IS  
PUNISHABLE UNDER U.S.  
COPYRIGHT LAWS.

**RFconnectors**7610 MIRAMAR RD.  
SAN DIEGO, CA 92126  
(858) 549-6340  
DIVISION OF RF INDUSTRIES, LTD. (858) 549-6345 FAX**SMB PLUG, CRIMP**  
RIGHT ANGLE

SIZE	CABLE GROUP	DWG NO.	REV
A	B	<b>RSB-4010-1B-03</b>	---
SCALE: NTS		ENGINEERING ID: 008974	SHEET 1 OF 1