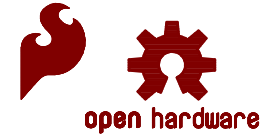
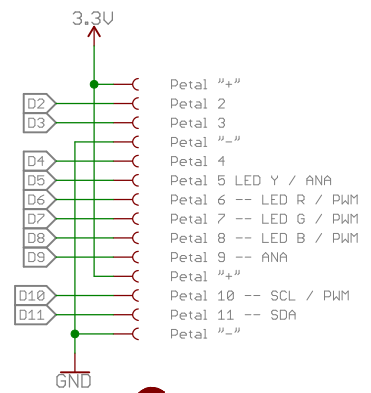
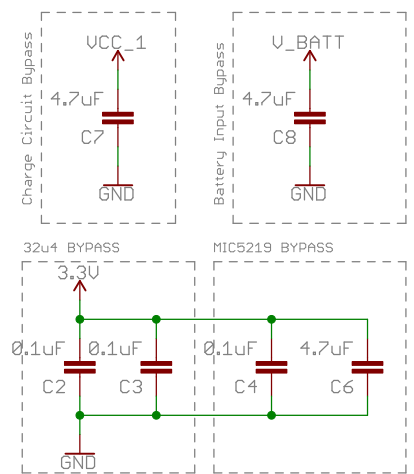
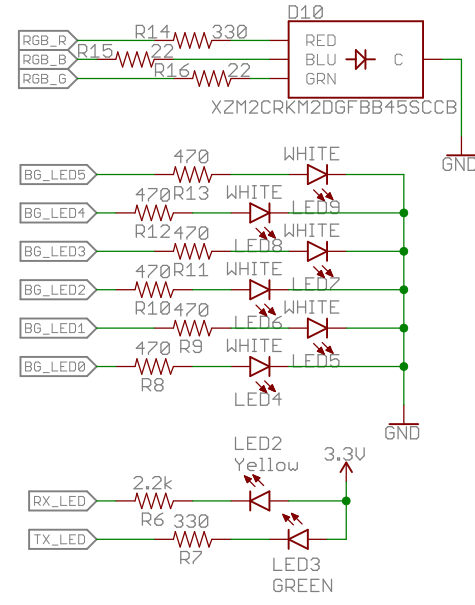
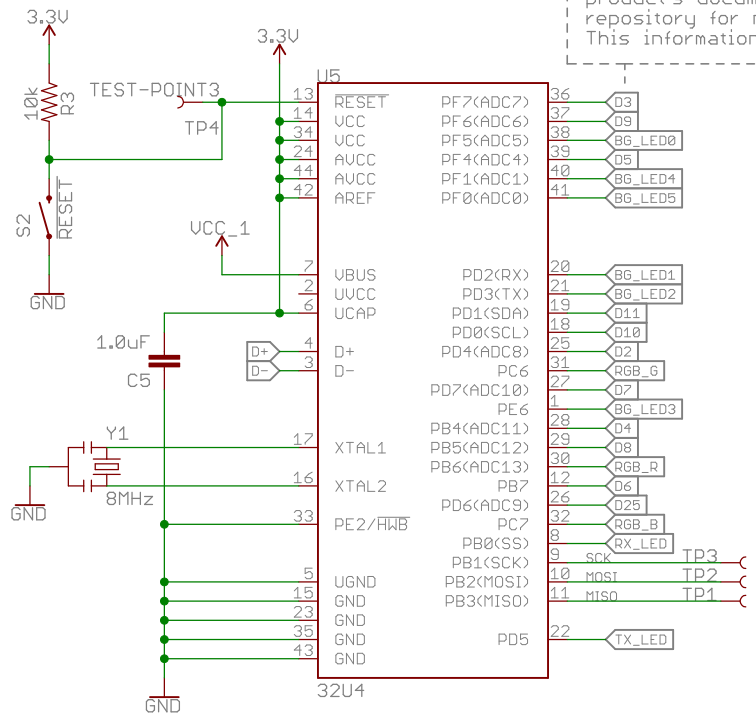


# LilyPad USB Plus Standalone

Note: All GPIO have digital functionality and are labeled with a "D" convention. Check the product's documentation folder in this repository for more information on GPIO. This information is also in our hookup guide.



LilyPad concept and shapes by:  
L. Buechley and N. Seidle



Released under the Creative Commons Attribution Share-Alike 4.0 License  
<https://creativecommons.org/licenses/by-sa/4.0/>

TITLE: LilyPad\_USB\_Plus

Design by: Marshall Taylor  
 Revised by: Elias Santistevan

REV:  
v10

Date: 5/22/2018 12:09 PM

Sheet: 1/1

## Battery Charger and Regulator

Charge current factory set to 100mA  
 $I_{CHG} = 1000/R2$

