

## Product / Process Change Notification (PCN)

- Major change  
 Minor change

**PCN #:** PCN\_ConMJ\_20230425

**Affected Series:** WE-ConMJTH;  
 - 634106149621  
 - 634108149621

**PCN Date:** January 25, 2023

**Effective Date:** April 25, 2023

### Change Category:

- Equipment / Location  
 General Data  
 Material  
 Process  
 Product Design  
 Shipping / Packaging  
 Supplier  
 Software

**Contact:** Product Management

**Phone:** +49 (0) 7942 - 945 5001

**Fax:** +49 (0) 7942 - 945 5179

**E-Mail:** pcn.eican@we-online.com

### Data Sheet Change:

- Yes  No

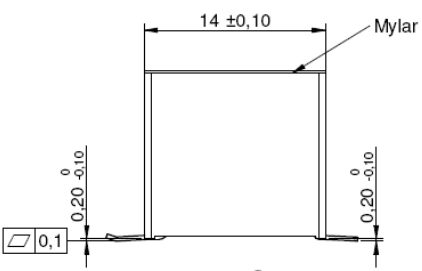
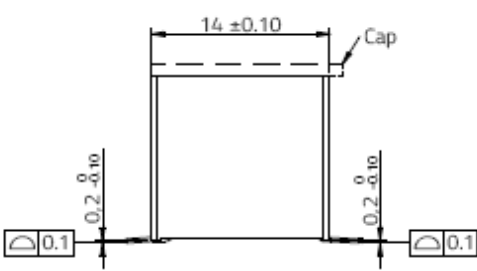
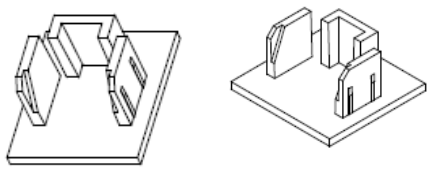
### Attachment:

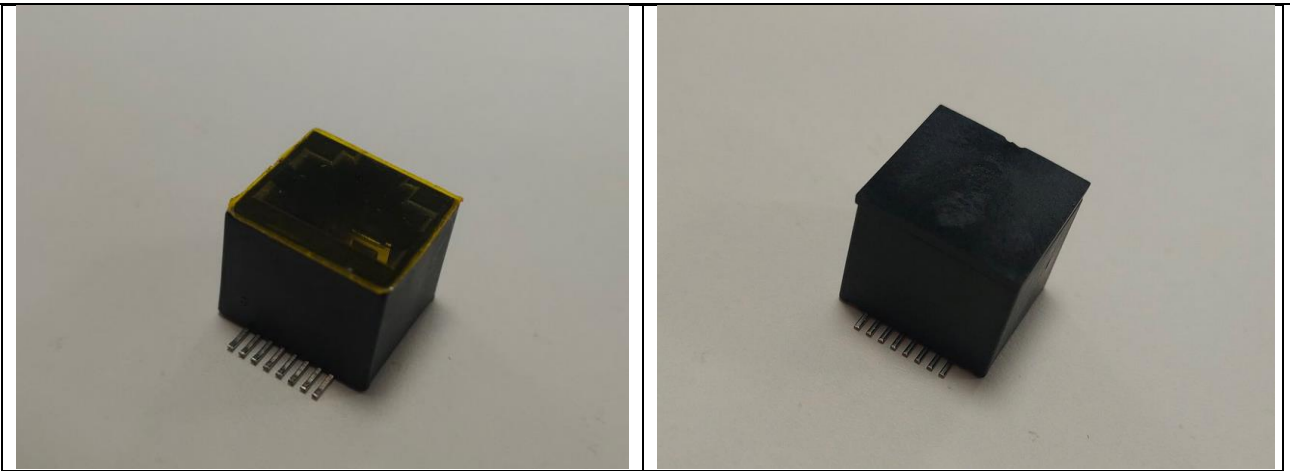
- Yes  No

### Description and purpose of change:

To improve the processability, Würth Elektronik is switching the mylar tape for pick and place to a plastic cap  
 All products with date code 2022-10-24 or later, will be affected by this change.  
 There will be no change in function, quality or reliability of the product.

### Detail of Change:

Before Change	After Change
	
Mylar tape	



**Reliability / Qualification Summary:**

Product approval is according to the specification criteria and is internally released by the Product Management Department.

**The following items are part of the internal release process:**

- Mechanical Parameters of the cap
- Approval of production line