

**IE-FCI-PWB-2USB-A-5V****Weidmüller Interface GmbH & Co. KG**Klingenbergstraße 26  
D-32758 Detmold  
Germany

www.weidmueller.com



FrontCom® Vario integrates multiple functions in only one single frame. The system is easy to install and you can select from a wide range of data, signal and power modules. In addition to being extremely compact, FrontCom® Vario offers a number of unique product features that will make your project planning and work activities secure, fast and future-proof. Furthermore, the FrontCom® Vario system has an attractive housing design that, by the way, offers highest impact-resistance and fully meets the requirements of IP 65 protection class.

**General ordering data**

Version	FrontCom, Insert Power large, USB charger
Order No.	<a href="#">2505070000</a>
Type	IE-FCI-PWB-2USB-A-5V
GTIN (EAN)	4050118519167
Qty.	1 pc(s).

## IE-FCI-PWB-2USB-A-5V

**Weidmüller Interface GmbH & Co. KG**  
 Klingenbergstraße 26  
 D-32758 Detmold  
 Germany

www.weidmueller.com

## Technical data

### Dimensions and weights

Net weight 54 g

### Temperatures

Operating temperature 0 °C...45 °C

### General data

Insert type	Insert Power large	Protection degree	IP40
-------------	--------------------	-------------------	------

### USB charger

Degree of efficiency	80%	Frequency range	50...60 Hz
Input current	≤ 300 mA	Input voltage	100...240 V AC
Input voltage, max.	240 V AC	Input voltage, min.	100 V
Output current	3 A	Output voltage	5 V
Output voltage	5 V DC	Output voltage type	DC
Power consumption in standby mode	max. 0.1 W	Protection class	II
Standards	EN 60950-1, EN 62684, EN 50558		

### Clampable conductors

Conductor connection cross-section, extremely flexible with wire end ferrule	max.	2.5 mm <sup>2</sup>
	min.	1.5 mm <sup>2</sup>
Conductor connection cross-section, extremely flexible with wire end ferrule	1.5 ... 2.5 mm <sup>2</sup>	
Conductor connection cross-section, flexible with wire end ferrule	1.5 ... 2.5 mm <sup>2</sup>	
Conductor connection cross-section, flexible with wire end ferrule	min.	1.5 mm <sup>2</sup>
	max.	2.5 mm <sup>2</sup>
Conductor connection cross-section, rigid	min.	1.5 mm <sup>2</sup>
	max.	2.5 mm <sup>2</sup>
Conductor connection cross-section, rigid	1.5 ... 2.5 mm <sup>2</sup>	
Stripping length	6 mm	
Type of connection	Screw connection	

### Electrical properties

Degree of efficiency 80%

### Classifications

ETIM 6.0	EC001121	ETIM 7.0	EC001121
ETIM 8.0	EC001121	ECLASS 9.0	27-44-03-90
ECLASS 9.1	27-18-90-90	ECLASS 10.0	27-44-03-90
ECLASS 11.0	27-44-03-90	ECLASS 12.0	27-18-28-92

### Approvals

ROHS Conform

## IE-FCI-PWB-2USB-A-5V

**Weidmüller Interface GmbH & Co. KG**  
Klingenbergstraße 26  
D-32758 Detmold  
Germany

[www.weidmueller.com](http://www.weidmueller.com)

## Technical data

### Downloads

Engineering Data	<a href="#">CAD data – STEP</a>
User Documentation	<a href="#">Designation key / Type key</a>
Catalogues	<a href="#">Catalogues in PDF-format</a>

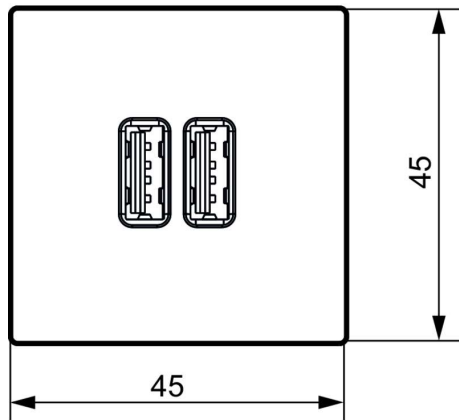
**IE-FCI-PWB-2USB-A-5V**

**Weidmüller Interface GmbH & Co. KG**  
Klingenbergstraße 26  
D-32758 Detmold  
Germany

[www.weidmueller.com](http://www.weidmueller.com)

**Drawings**

**Dimensioned drawing**



**Dimensioned drawing**

