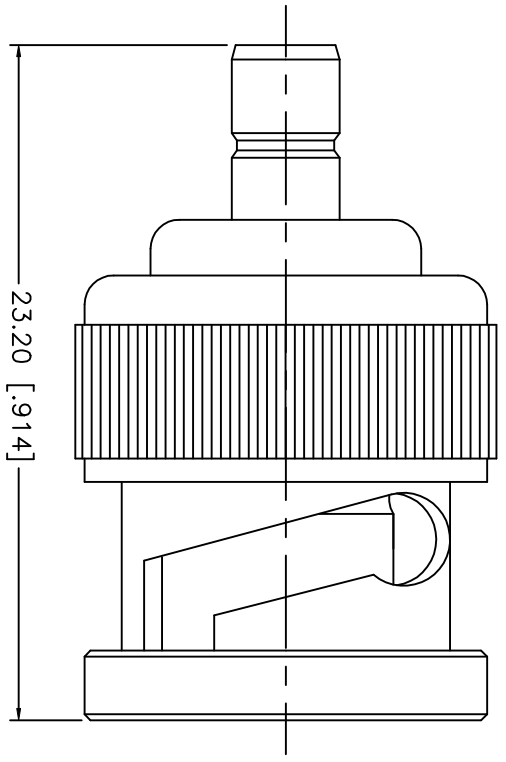


REV.	DATE	DESCRIPTION
NC	04/09/02	INITIAL RELEASE



8										
7										
6										
5										
4	CONTACT PIN	BRASS		GOLD						
3	INSULATOR	TEFLON		NATURAL						
2	SMB BODY	BRASS		GOLD						
1	BNC BODY	BRASS		NICKEL						
	DESCRIPTION	MATERIAL		FINISH						

UNLESS OTHERWISE SPECIFIED DIMENSIONS ARE IN MILLIMETERS			UNLESS OTHERWISE SPECIFIED TOLERANCES FOR INCHES ARE:		
DIMENSIONS IN [] ARE IN INCHES FOR CUSTOMER REFERENCE ONLY			.XXX = ± 0.005" .XX = ± 0.010" .X = ± 0.020"		
DO NOT SCALE DRAWING					

APPROVALS		DATE	TITLE	BNC PLUG TO SMB JACK ADAPTOR	REV.			
DRAWN	G.R.S.	04/09/02				SIZE	FSCM NO.	DWG. NO.
CHECKED								
ISSUED			SCALE	PART NO.	SHEET			
			NA	242184	1 OF 1			

<h1>Amphenol - Connex</h1> <p>CONNECTOR CORPORATION</p>			SIZE	FSCM NO.	DWG. NO.	REV.
			A	99001	242184.DWG	NC