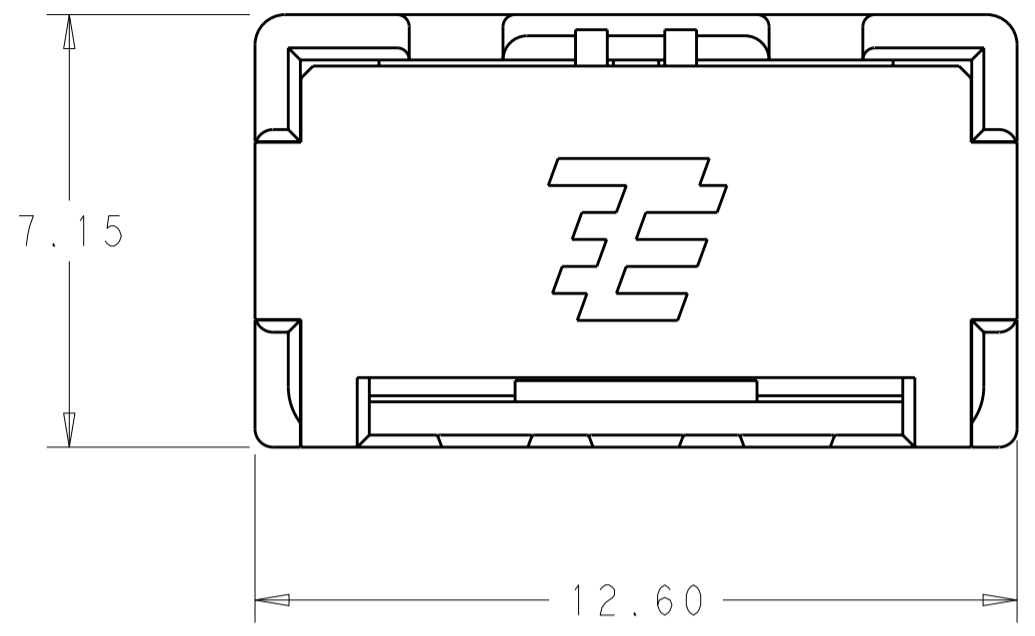
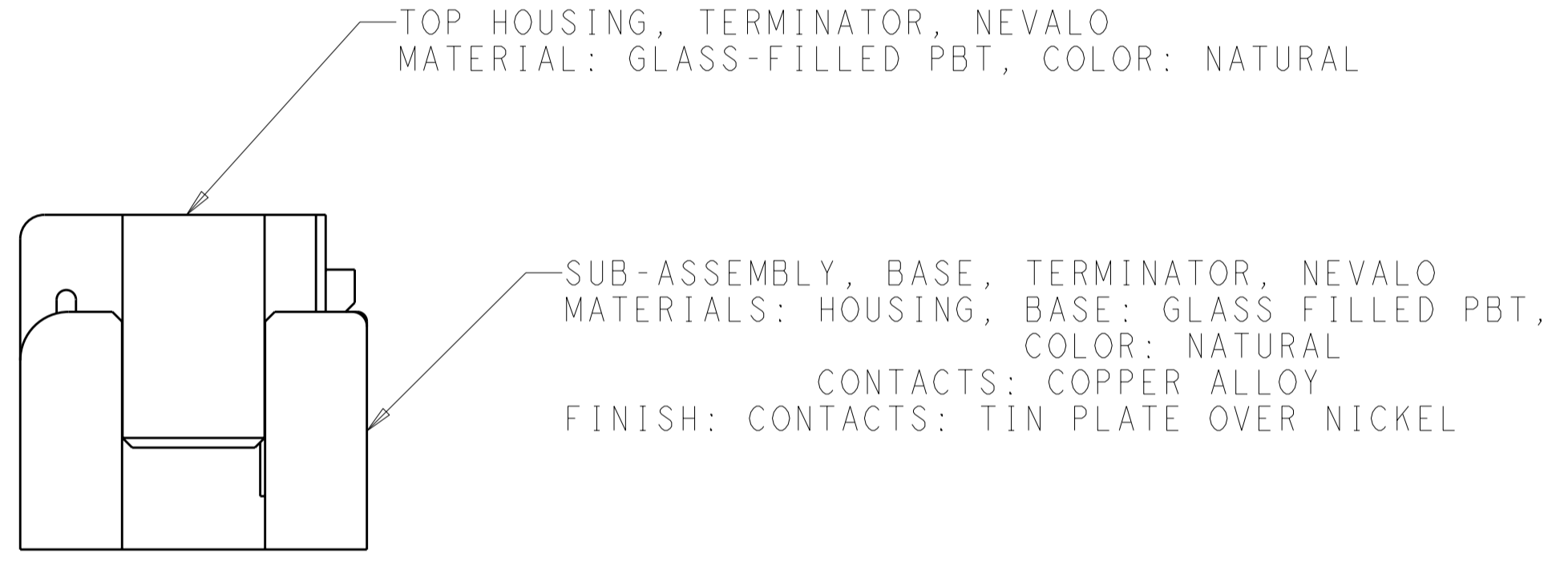
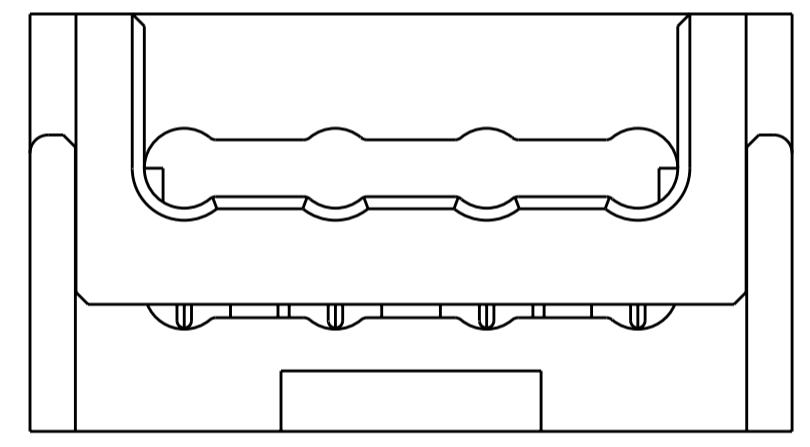


THIS DRAWING IS UNPUBLISHED. RELEASED FOR PUBLICATION 20
 © COPYRIGHT 20 BY TYCO ELECTRONICS CORPORATION. ALL INTERNATIONAL RIGHTS RESERVED.

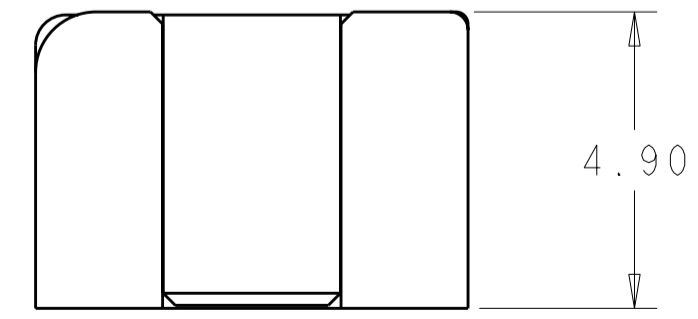
LOC		DIST		REVISIONS			
P	LTR	DESCRIPTION	DATE	DWN	APVD		
	1	PROPOSED	23JUN2010	APB	BC		
	2	ADD NOTES 3,4,5; CHG COLOR TO NATURAL	30SEP2010	WVS	BC		
	3	REMOVE OPEN DIM 6.90	29DEC2010	WVS	BC		



1. PART SHIPPED IN OPEN POSITION
2. COMPATIBLE WITH ALL NEVALO SYSTEM COLORS.
3. MUST COMPLY WITH DIRECTIVE 2002/95/EC (ROHS)
4. PACKAGING (TBD).
5. PRODUCT HAS NOT COMPLETED VALIDATION TESTING.



OPEN POSITION



CLOSED POSITION

TYCO ELECTRONICS
 CONFIDENTIAL
 AND PROPRIETARY

PROPOSED DESIGN
 NOT PRODUCTION TOOLED

DESIGN IS SUBJECT TO
 CHANGE WITHOUT NOTICE

THIS DRAWING IS A CONTROLLED DOCUMENT FOR TYCO ELECTRONICS CORPORATION IT IS SUBJECT TO CHANGE AND THE CONTROLLING ENGINEERING ORGANIZATION SHOULD BE CONTACTED FOR THE LATEST REVISION.		DWN ARJUN 23JUN2010	Tyco Electronics Corporation Harrisburg, PA 17105-3608	
DIMENSIONS: mm		CHK B.CHANEY 09JUL2010	NAME ASSEMBLY, TERMINATOR, NEVALO	
TOLERANCES UNLESS OTHERWISE SPECIFIED: 0 PLC ± 1 PLC ± 2 PLC ±0.20 3 PLC ± 4 PLC ± ANGLES ± FINISH		APVD -	PRODUCT SPEC 108-2442	RESTRICTED TO -
MATERIAL -		APPLICATION SPEC 114-13290	SIZE A200779	DRAWING NO C-2154014
		WEIGHT -	SCALE 8:1	SHEET 1 OF 1 REV 3
		CUSTOMER DRAWING		

2154014-1
 PART NO.