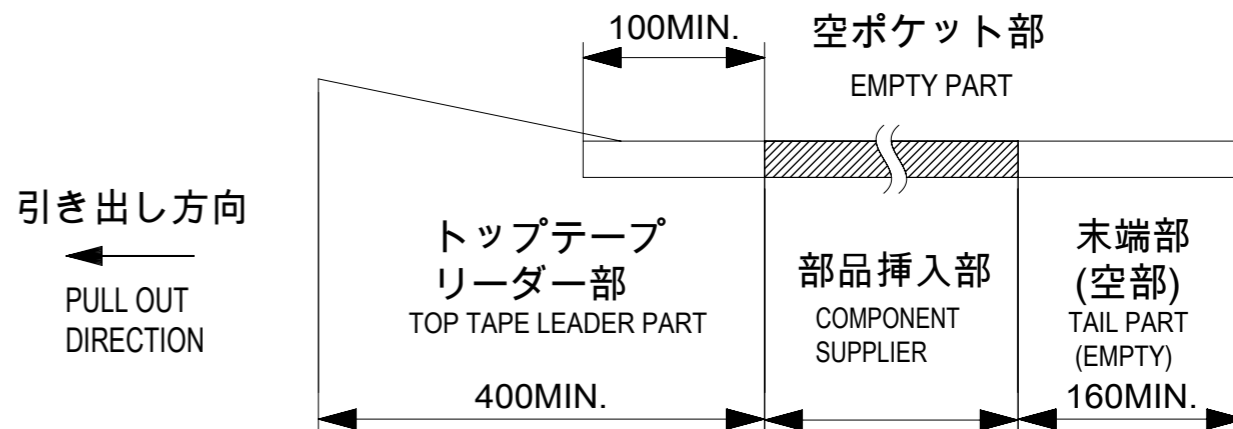


NOTES

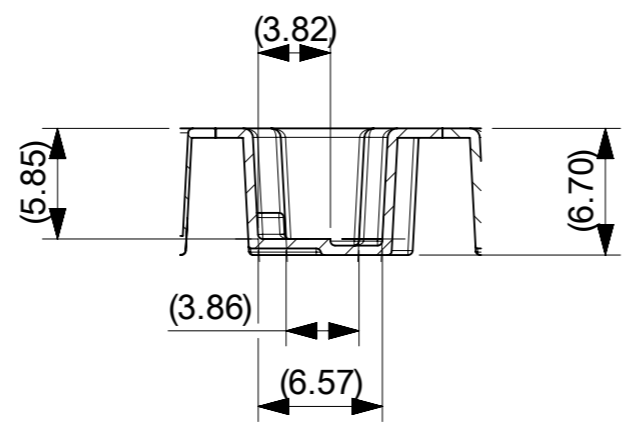
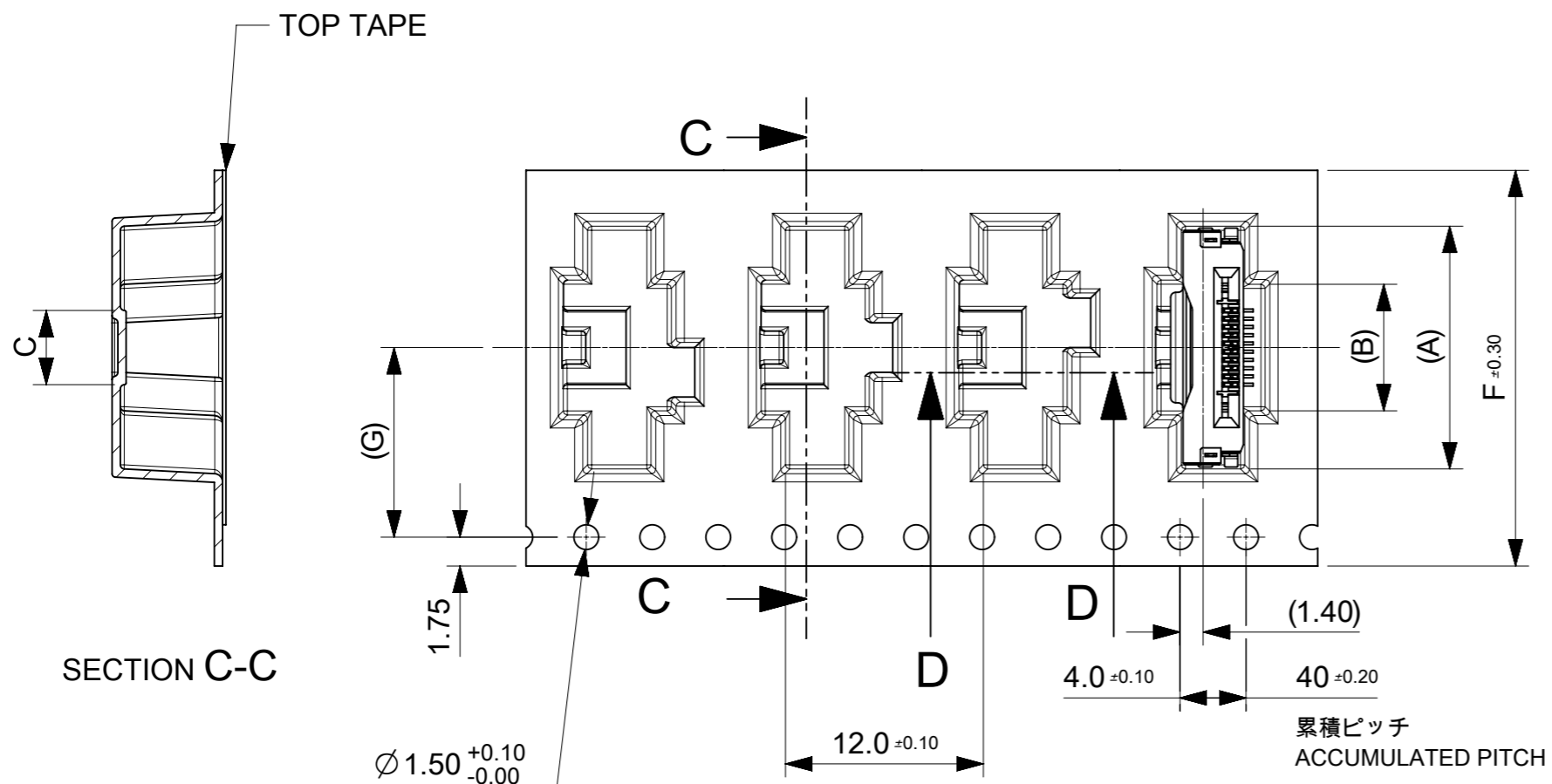
- 梱包数量 : 1200個 / リール
NUMBER OF CONNECTORS : 1200 PCS/REEL.
- リードテープ長さ
LEAD TAPE LENGTH



- カバーテープの剥離強度については、IEC60286-3に準拠。
TOP TAPE PEEL FORCE IS DEFINED BY IEC 60286-3.
- 製品詳細寸法については、図面 2004851500を参照下さい。
FOR DIMENSIONS OF PRODUCT, REFER TO 2004851500
- 材料 MATERIAL
キャリアテープ : ポリスチレン
CARRIER TAPE : POLYSTYRENE
トップテープ : ポリエチレンテレフタレート、ポリエチレン
TOP TAPE : POLYETHYLENE TEREPHTHALATE, POLYETHYLENE
リール : ポリスチレン<リサイクル材を含む>
REEL : POLYSTYRENE RECYCLED MATERIAL CONTAINED
- ELV及びRoHS適合品 ELV AND RoHS COMPLIANT.

THIS DRAWING CONTAINS INFORMATION THAT IS PROPRIETARY TO MOLEX ELECTRONIC TECHNOLOGIES, LLC AND SHOULD NOT BE USED WITHOUT WRITTEN PERMISSION		CURRENT REV DESC:		molex	
DIMENSION UNITS	SCALE				
mm	NTS			EMB PKG ONE-TOUCH ST	
GENERAL TOLERANCES (UNLESS SPECIFIED)				PRODUCT CUSTOMER DRAWING	
ANGULAR TOL	± 1.0 °			DOCUMENT NUMBER	
4 PLACES	± 0.1	EC NO: 648126		2004850500	
3 PLACES	± 0.1	DRWN: TYAMANE		PSD	
2 PLACES	± 0.1	2020/10/15		000	
1 PLACE	± 0.1	CHK'D: YMATSUMOTO		C	
0 PLACES	± 0.1	2020/10/30			
DRAFT WHERE APPLICABLE MUST REMAIN WITHIN DIMENSIONS		APPR: SHOSHIKAWA		REVISION	
THIRD ANGLE PROJECTION		INITIAL REVISION:			
DRAWING		DRWN: TYAMANE			
SERIES		2018/09/21			
MATERIAL NUMBER		APPR: RTAKEUCHI			
CUSTOMER		2019/09/27			
SHEET NUMBER		A3-SIZE		1 OF 3	
		200485			

引き出し方向
PULL OUT
DIRECTION



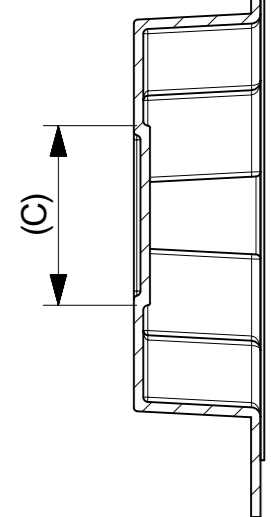
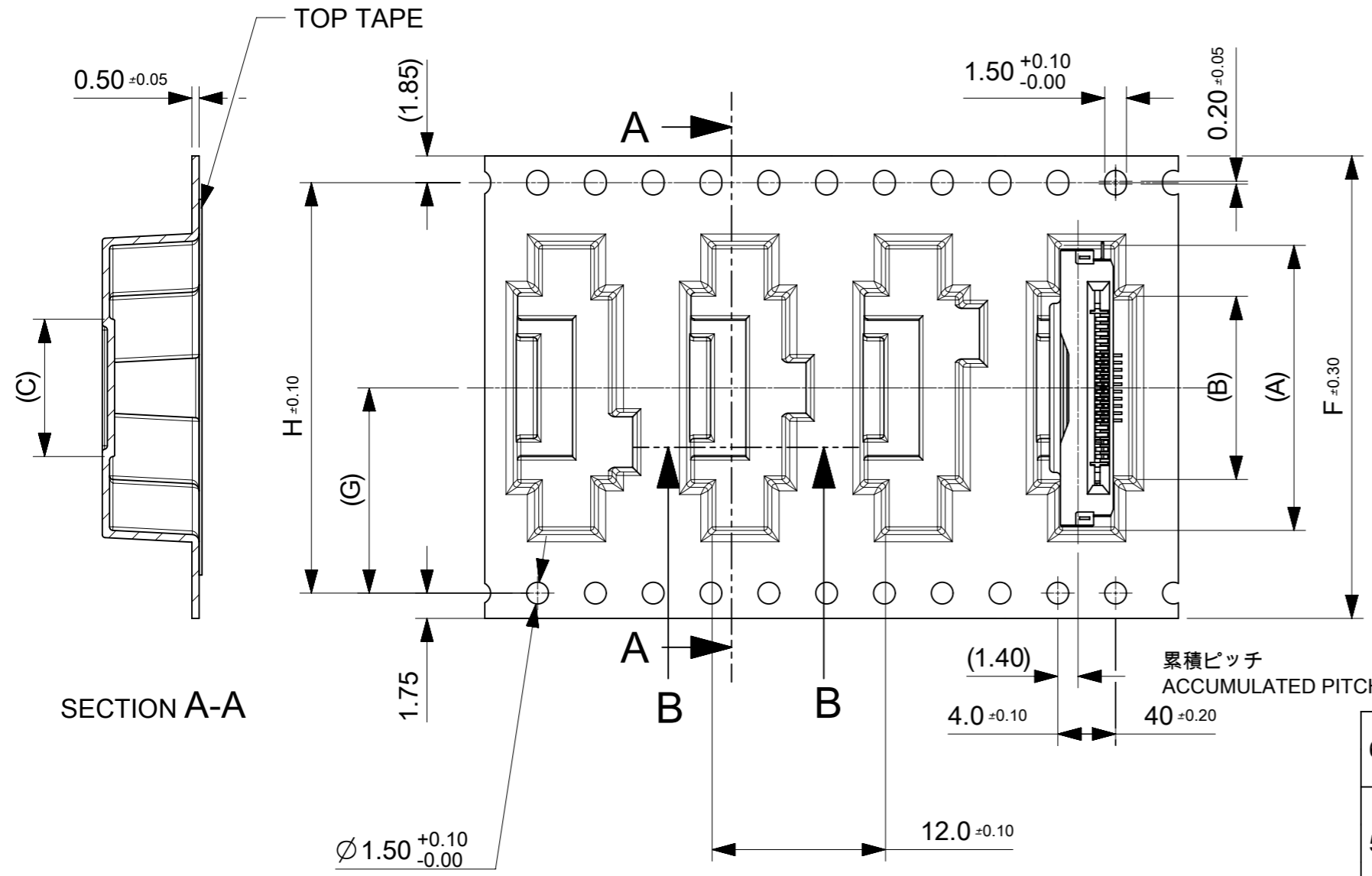
SECTION D-D

11.5	24	29.4	25.4	4.5	7.65	14.7	2004850510	10
G	F	E	D	C	B	A	EMBOSSED PACKAGE	Ckt
							オーダー番号 ORDER NO.	

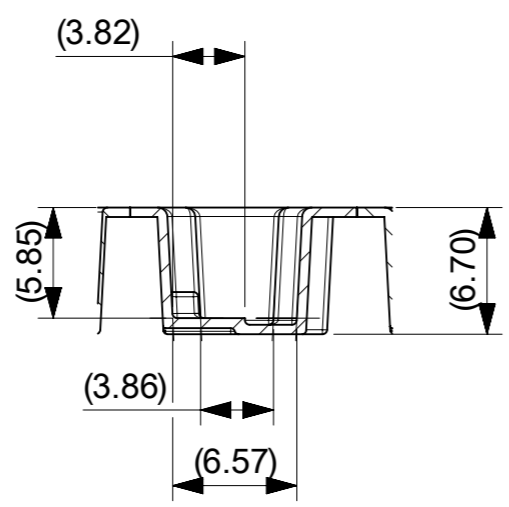
THIS DRAWING CONTAINS INFORMATION THAT IS PROPRIETARY TO MOLEX ELECTRONIC TECHNOLOGIES, LLC AND SHOULD NOT BE USED WITHOUT WRITTEN PERMISSION									
DIMENSION UNITS mm		SCALE NTS		CURRENT REV DESC:				molex	
GENERAL TOLERANCES (UNLESS SPECIFIED)		ANGULAR TOL ± 1.0°		EC NO: 648126					
4 PLACES ± 0.1		3 PLACES ± 0.1		DRWN: TYAMANE		2020/10/15		EMB PKG ONE-TOUCH ST	
2 PLACES ± 0.1		1 PLACE ± 0.1		CHK'D: YMATSUMOTO		2020/10/30		PRODUCT CUSTOMER DRAWING	
0 PLACES ± 0.1		INITIAL REVISION:		APPR: SHOSHIKAWA		2020/11/02		DOCUMENT NUMBER	
DRAFT WHERE APPLICABLE MUST REMAIN WITHIN DIMENSIONS		THIRD ANGLE PROJECTION		DRAWING		SERIES		MATERIAL NUMBER	
		A3-SIZE		200485		2018/09/21		CUSTOMER	
				2019/09/27		2004850500		PSD 000 C	
						GENERAL		SHEET NUMBER	
						2 OF 3			

CONNECTOR NO. 20048515**

引き出し方向
PULL OUT
DIRECTION



SECTION A-A



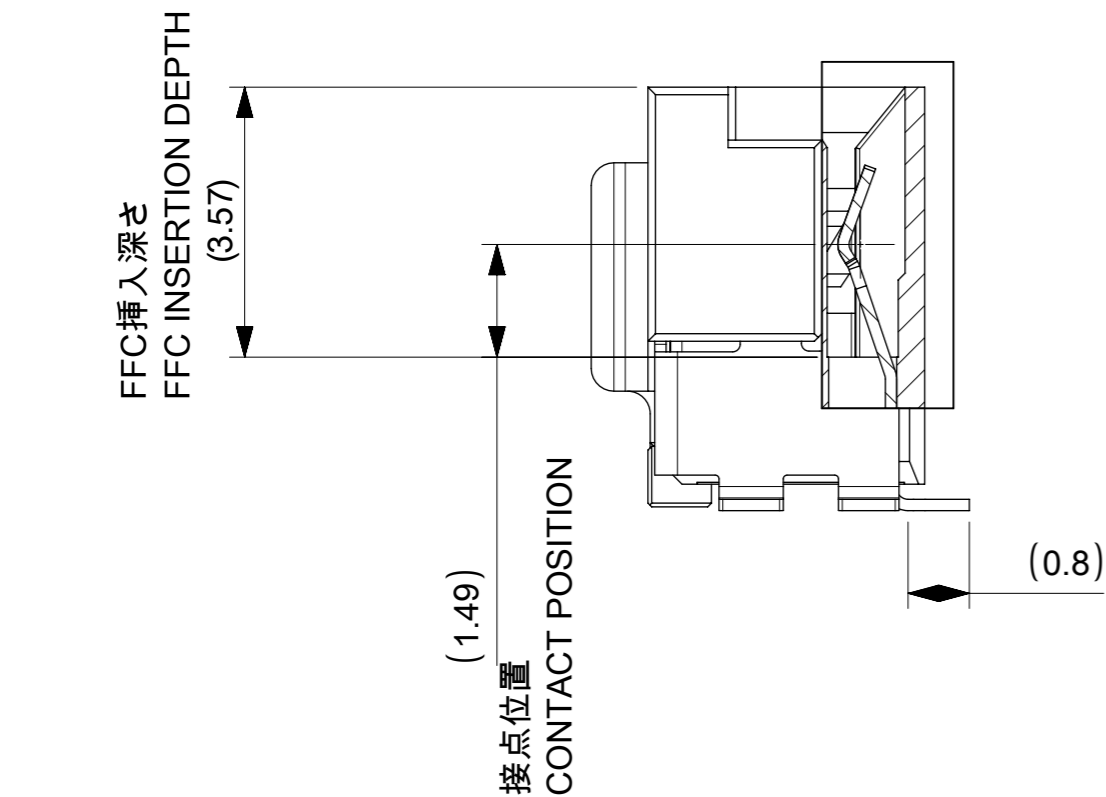
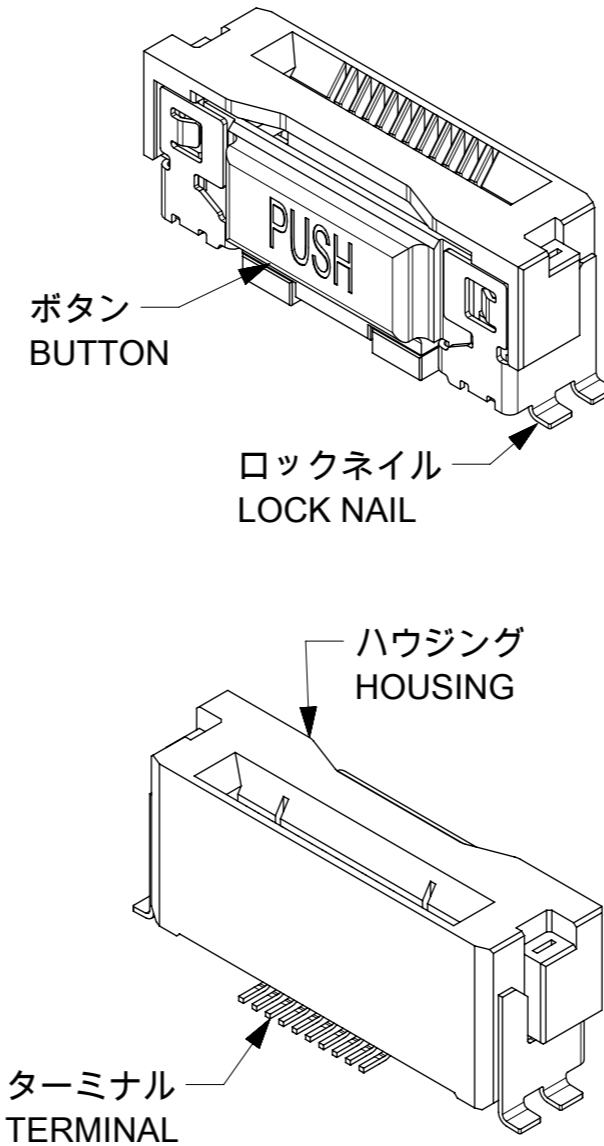
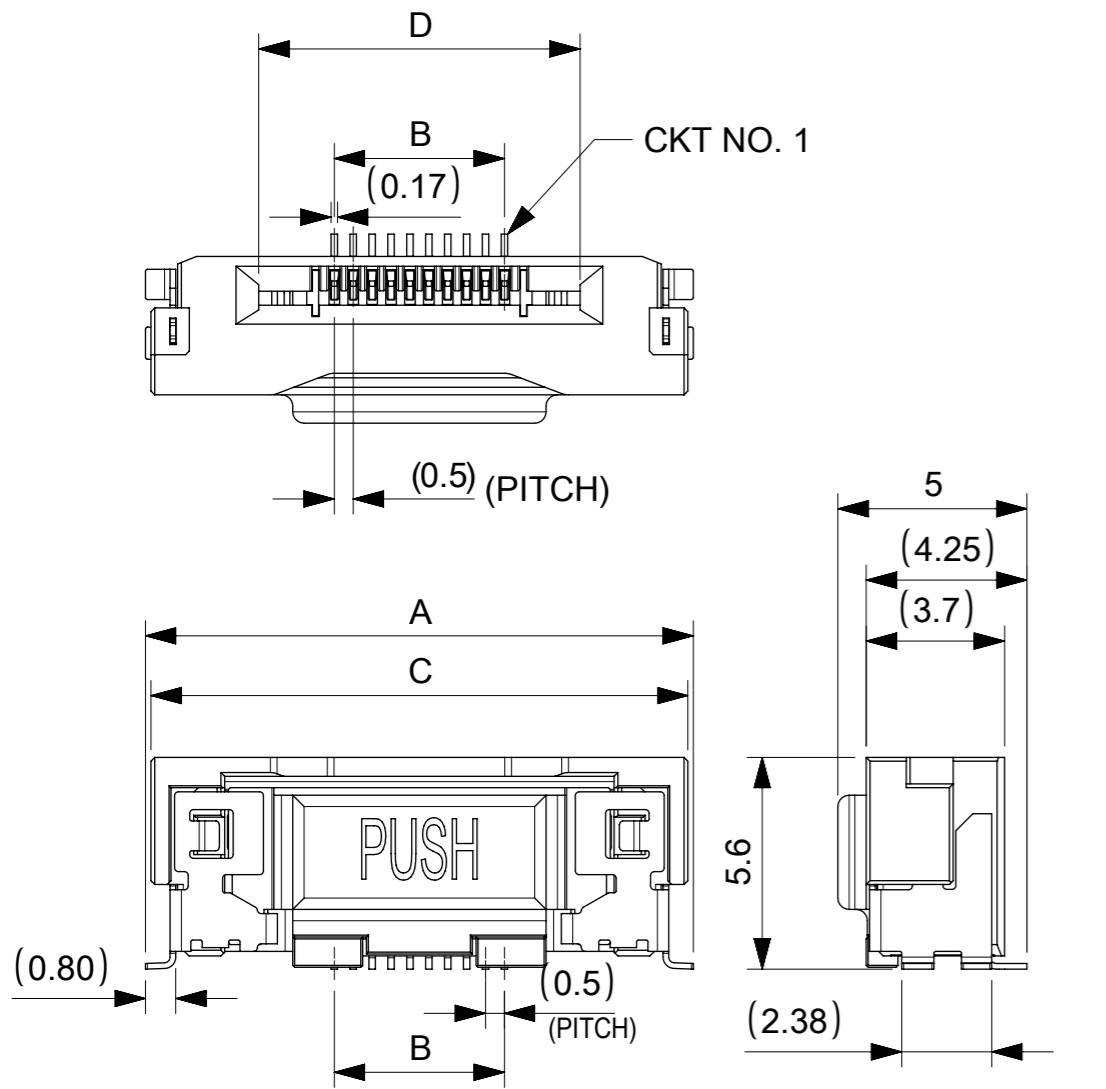
SECTION B-B

CONNECTOR NO. 20048515**

68.4	34.2	72	78.1	73.5	39.5	42.65	49.7	2004850580	80
					34.5	37.65	44.7	2004850570	70
52.4	26.2	56	61.4	75.4	29.5	32.65	39.7	2004850560	60
					25	28.15	35.2	2004850551	51
40.4	20.2	44	49.4	45.4	24.5	27.65	34.7	2004850550	50
					19.5	22.65	29.7	2004850540	40
					17	20.15	27.2	2004850535	35
28.4	14.2	32	37.4	33.4	14.5	17.65	24.7	2004850530	30
					9.5	12.65	19.7	2004850520	20
H	G	F	E	D	C	B	A	EMBOSSED PACKAGE	Ckt
								オーダー番号 ORDER NO.	

THIS DRAWING CONTAINS INFORMATION THAT IS PROPRIETARY TO MOLEX ELECTRONIC TECHNOLOGIES, LLC AND SHOULD NOT BE USED WITHOUT WRITTEN PERMISSION

DIMENSION UNITS	SCALE	CURRENT REV DESC:		molex	
mm	NTS				
GENERAL TOLERANCES (UNLESS SPECIFIED)		EC NO: 648126		EMB PKG ONE-TOUCH ST	
ANGULAR TOL	± 1.0 °	DRWN: TYAMANE 2020/10/15		PRODUCT CUSTOMER DRAWING	
4 PLACES	± 0.1	CHK'D: YMATSUMOTO 2020/10/30		DOCUMENT NUMBER	
3 PLACES	± 0.1	APPR: SHOSHIKAWA 2020/11/02		2004850500	
2 PLACES	± 0.1	INITIAL REVISION:		DOC TYPE	DOC PART
1 PLACE	± 0.1	DRWN: TYAMANE 2018/09/21		PSD	000
0 PLACES	± 0.1	APPR: RTAKEUCHI 2019/09/27		REVISION	C
DRAFT WHERE APPLICABLE MUST REMAIN WITHIN DIMENSIONS		THIRD ANGLE PROJECTION	DRAWING	SERIES	MATERIAL NUMBER
			A3-SIZE	200485	CUSTOMER
				GENERAL	SHEET NUMBER
				3 OF 3	

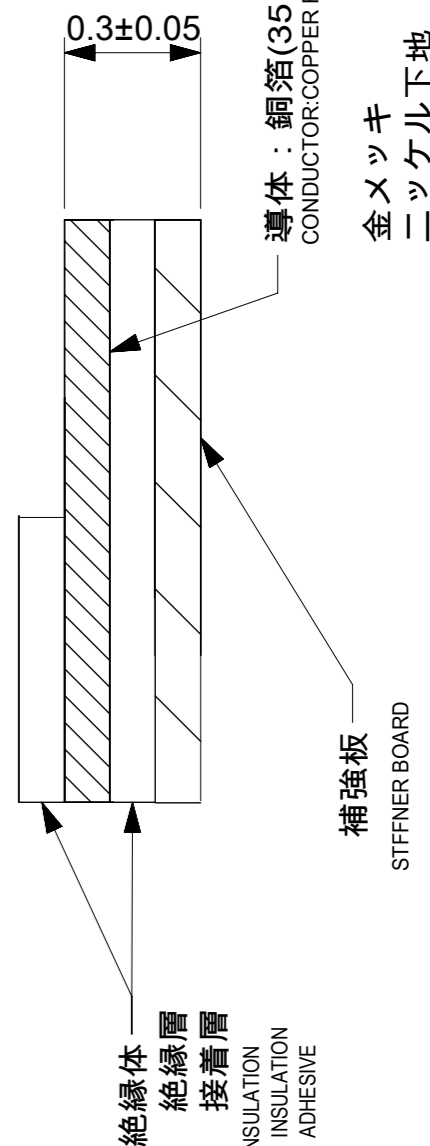
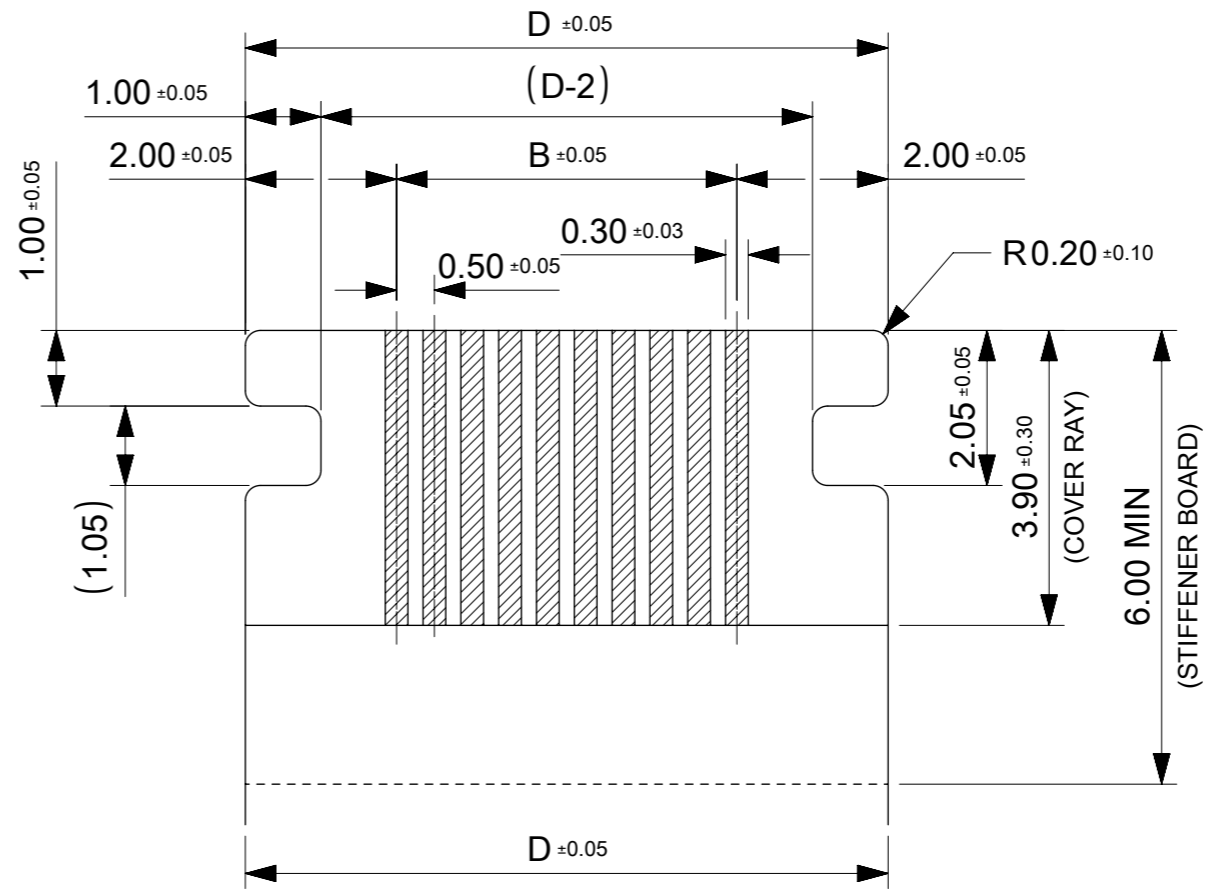
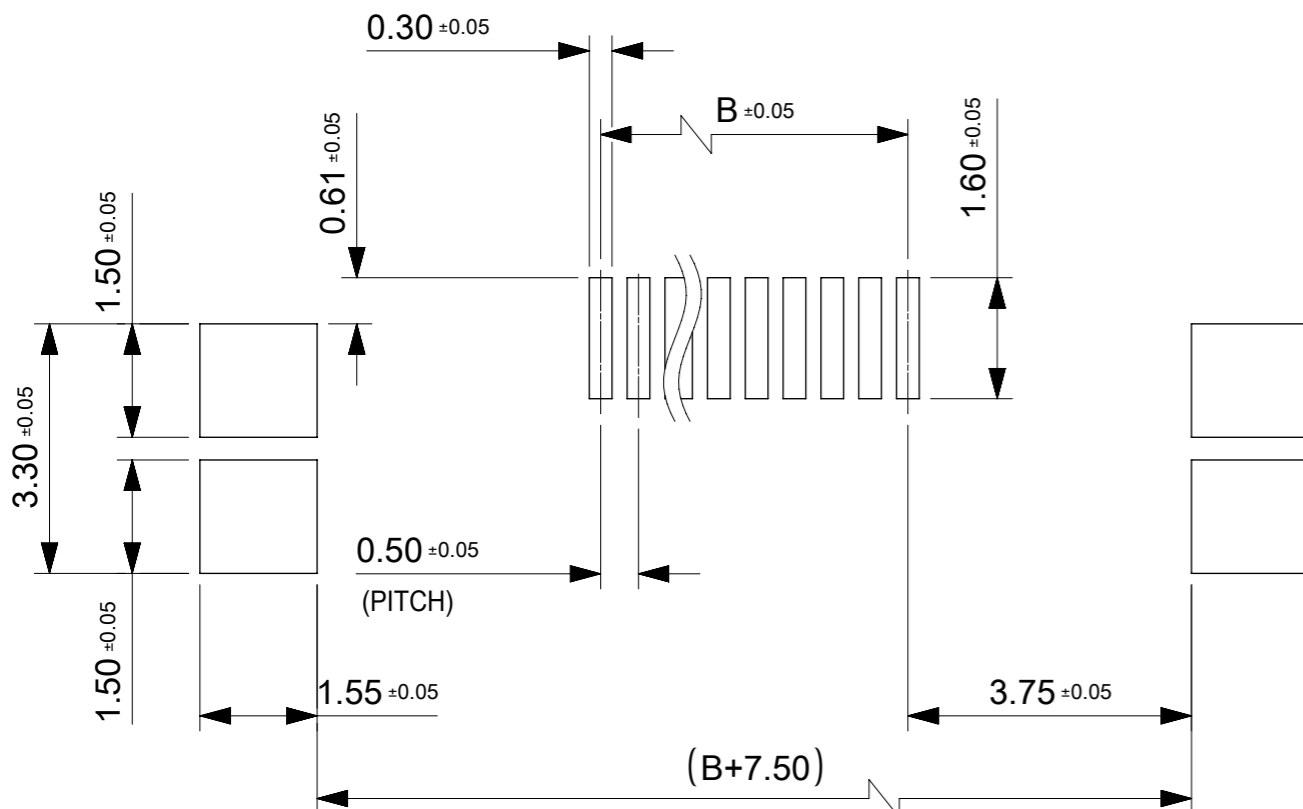


NOTES:

- 1.使用材料 MATERIAL
 - ハウジング : 液晶ポリマー, ガラス充填, UL94V-0(黒)
 - HOUSING : LIQUID CRYSTAL POLYMER, GLASS FILLED, UL94V-0(BLACK)
 - ボタン : 液晶ポリマー, ガラス充填, UL94V-0(ナチュラル)
 - BUTTON : LIQUID CRYSTAL POLYMER, GLASS FILLED, UL94V-0(NATURAL)
 - ターミナル : 銅合金(t=0.15)
 - TERMINAL : COPPER ALLOY
 - ロックネイル : 銅合金(t=0.15)
 - LOCK NAIL : COPPER ALLOY
- 2.めっき仕様 PLATING
 - ターミナル TERMINAL
 - 接点部 : 金めっき 0.1μm以上
 - CONTACT AREA : GOLD 0.1 MICROMETER MINIMUM
 - 半田付け部 : 金めっき
 - SOLDER TAIL AREA : GOLD
 - 下地めっき : ニッケル 1.0μm以上
 - UNDERPLATE : NICKEL 1.0 MICROMETER MINIMUM
 - ロックネイル LOCK NAIL
 - 錫めっき(1.0μm以上)
 - TIN PLATING (1.0 MICROMETER MIN.)
- 3.平坦度は0.1ミリ以下とする。
 - COPLANALITY TO BE 0.1 MAXIMUM.

1.301	43.5	49.2	39.5	49.49	2004850580	80
1.194	38.5	44.2	34.5	44.49	2004850570	70
1.053	33.5	39.2	29.5	39.49	2004850560	60
0.958	29	34.7	25	34.99	2004850551	51
0.942	28.5	34.2	24.5	34.49	2004850550	50
0.796	23.5	29.2	19.5	29.49	2004850540	40
0.702	21	26.7	17	26.99	2004850535	35
0.650	18.5	24.2	14.5	24.49	2004850530	30
0.504	13.5	19.2	9.5	19.49	2004850520	20
0.358	8.5	14.2	4.5	14.49	2004850510	10
NET WEIGHT (g)	D	C	B	A	EMBOSSED PACKAGE	CIRCUIT
CONNECTOR SERIES NO. 20048515**						

DIMENSION UNITS		SCALE	CURRENT REV DESC:			
mm		5:1	<p style="text-align: center; font-size: 2em; font-weight: bold;">molex</p> <p style="text-align: center;">0.5FFC CONN. ST ONE TOUCH ASS'Y</p> <p style="text-align: center;">PRODUCT CUSTOMER DRAWING</p>			
GENERAL TOLERANCES (UNLESS SPECIFIED)						
ANGULAR TOL ± 1.0°						
4 PLACES	± 0.1	EC NO: 674194				
3 PLACES	± 0.1	DRWN: AHMADI2 2021/08/18				
2 PLACES	± 0.1	CHK'D: TKON 2021/08/19				
1 PLACE	± 0.1	APPR: SHOSHIKAWA 2021/08/19				
0 PLACES	± 0.1	INITIAL REVISION:	DOCUMENT NUMBER	DOC TYPE	DOC PART	REVISION
DRAFT WHERE APPLICABLE MUST REMAIN WITHIN DIMENSIONS			DRWN: TYAMANE 2018/07/12	2004851500	PSD	000
THIRD ANGLE PROJECTION			APPR: RTAKEUCHI 2019/09/27	GENERAL		E
DRAWING			SERIES	MATERIAL NUMBER	CUSTOMER	SHEET NUMBER
A3-SIZE			200485	SEE TABLE	GENERAL	1 OF 2



推奨PWB寸法
 RECOMMENDED PWB DIMENSION
 推奨メタルマスク厚、開口率 : t=0.12mm, 80%
 RECOMMENDED METAL MASK THICKNESS, APERTURE RATIO : t=0.12mm, 80%
 ロックネイル部開口率は100%
 APERTURE RATIO FOR LOCK NAIL: 100%

推奨FFC寸法
 RECOMMENDED FFC DIMENSION
 抜き方向は導体側から補強版側を推奨します
 RECOMMENDED PUNCHING DIRECTION:
 FROM CONDUCTOR SIDE TO STIFFENER SIDE

THIS DRAWING CONTAINS INFORMATION THAT IS PROPRIETARY TO MOLEX ELECTRONIC TECHNOLOGIES, LLC AND SHOULD NOT BE USED WITHOUT WRITTEN PERMISSION											
DIMENSION UNITS		SCALE		CURRENT REV DESC:						molex	
mm		10:1									
GENERAL TOLERANCES (UNLESS SPECIFIED)				EC NO: 674194						0.5FFC CONN. ST ONE TOUCH ASS'Y	
ANGULAR TOL ± 1.0 °				DRWN: AHMADI2 2021/08/18						PRODUCT CUSTOMER DRAWING	
4 PLACES ± 0.1				CHK'D: TKON 2021/08/19						DOCUMENT NUMBER	
3 PLACES ± 0.1				APPR: SHOSHIKAWA 2021/08/19						2004851500	
2 PLACES ± 0.1				INITIAL REVISION:						DOC TYPE	
1 PLACE ± 0.1				DRWN: TYAMANE 2018/07/12						PSD	
0 PLACES ± 0.1				APPR: RTAKEUCHI 2019/09/27						DOC PART	
DRAFT WHERE APPLICABLE MUST REMAIN WITHIN DIMENSIONS				THIRD ANGLE PROJECTION		DRAWING		SERIES		REVISION	
				A3-SIZE		200485		000		E	
DOCUMENT STATUS				P1		RELEASE DATE		2021/08/19 01:59:57		SHEET NUMBER	
								GENERAL		2 OF 2	