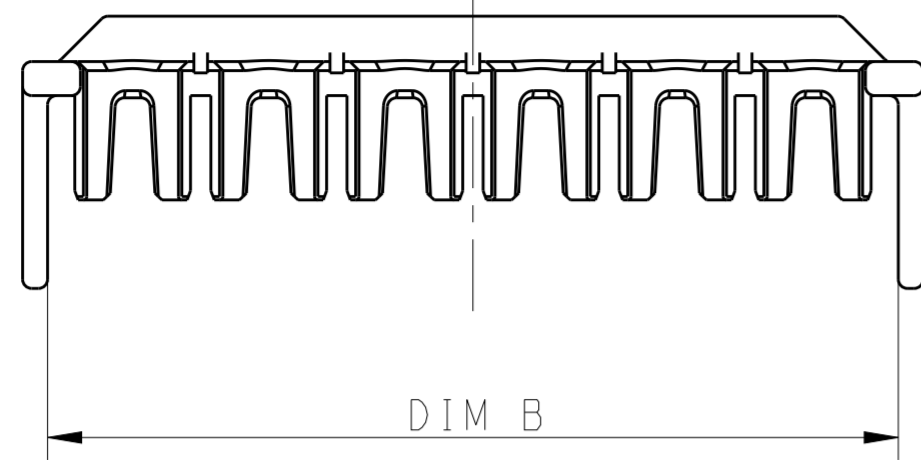
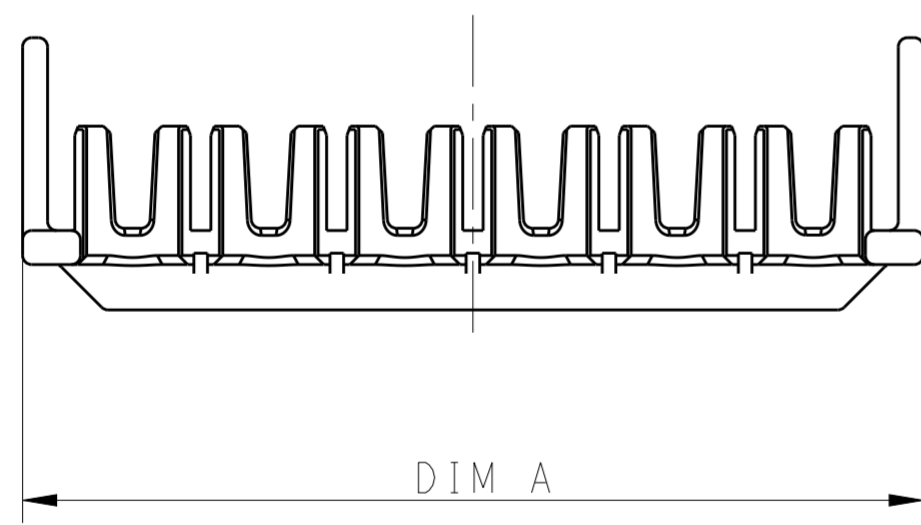
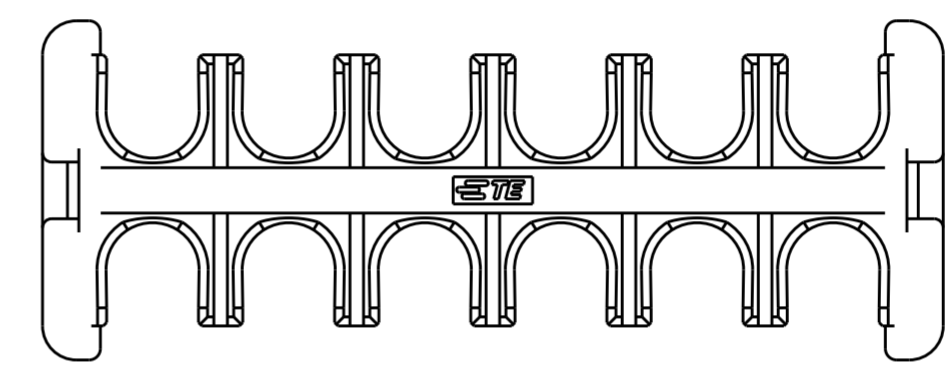
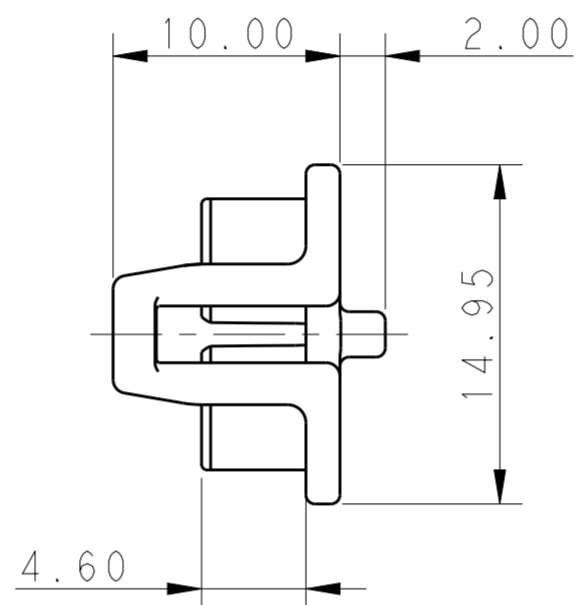
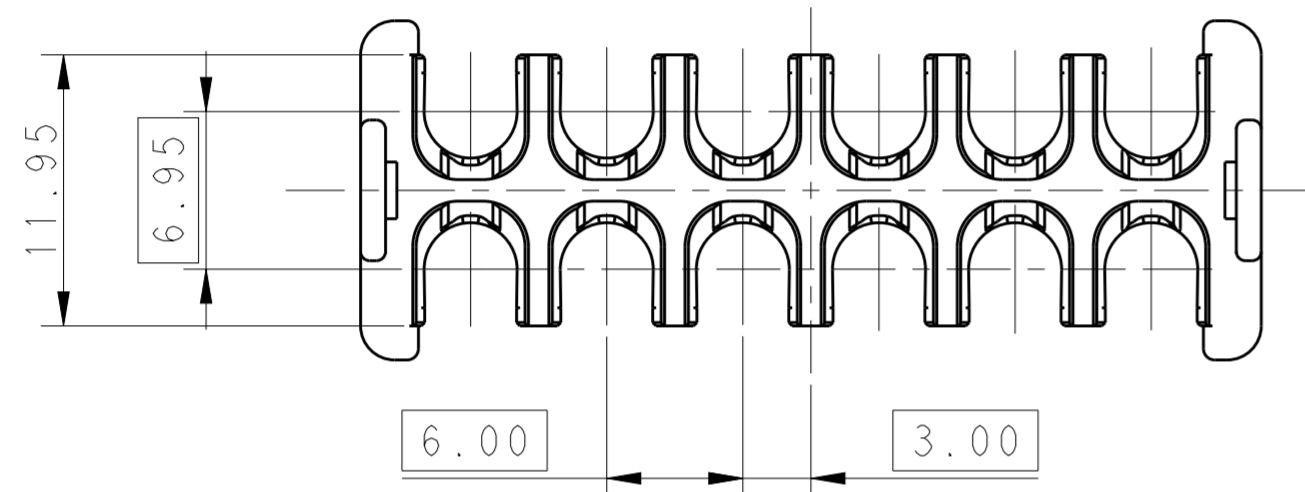


THIS DRAWING IS UNPUBLISHED. RELEASED FOR PUBLICATION 20
 © COPYRIGHT 20 BY - ALL RIGHTS RESERVED.

LOC		DIST		REVISIONS			
P	LTR	DESCRIPTION	DATE	DWN	APVD		
A3		REVISED PER ECR-18-016088	15OCT2018	BW	GJ		
A4		REVISED PER ECR-18-019428	27DEC2018	BKW	GJ		
A5		REVISED PER ECR-19-004049	15MAR2019	BKW	GJ		
B		REVISED PER ECR-19-018450	16DEC2020	PC	DS		



POS.	DIM.A	DIM.B
2*6	39.70	37.5
2*5	33.70	31.5
2*4	27.70	25.5
2*3	21.70	19.5



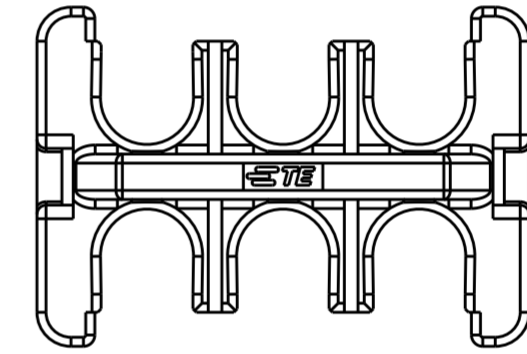
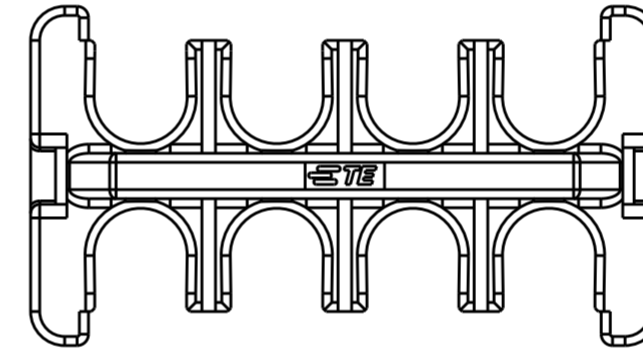
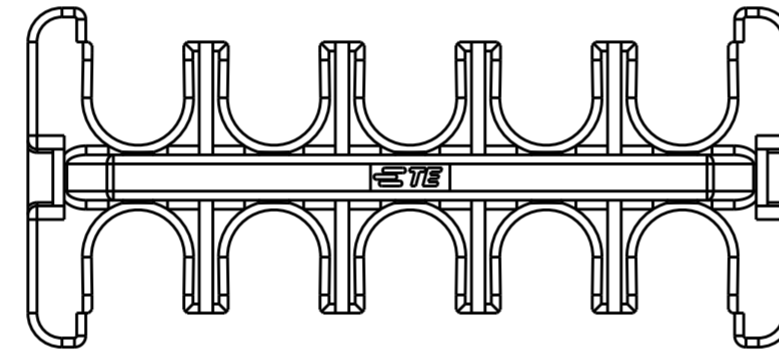
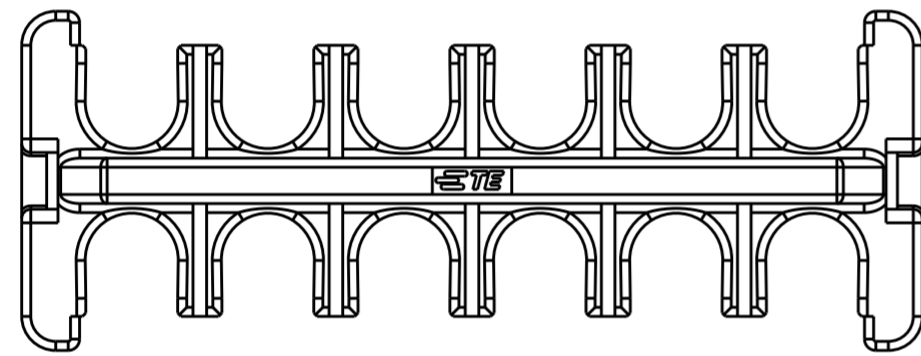
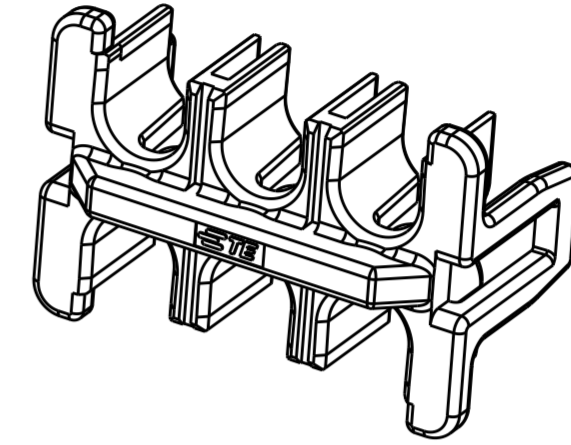
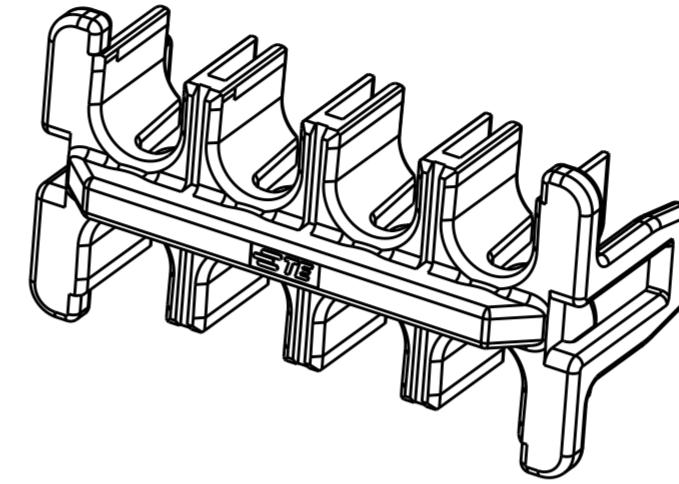
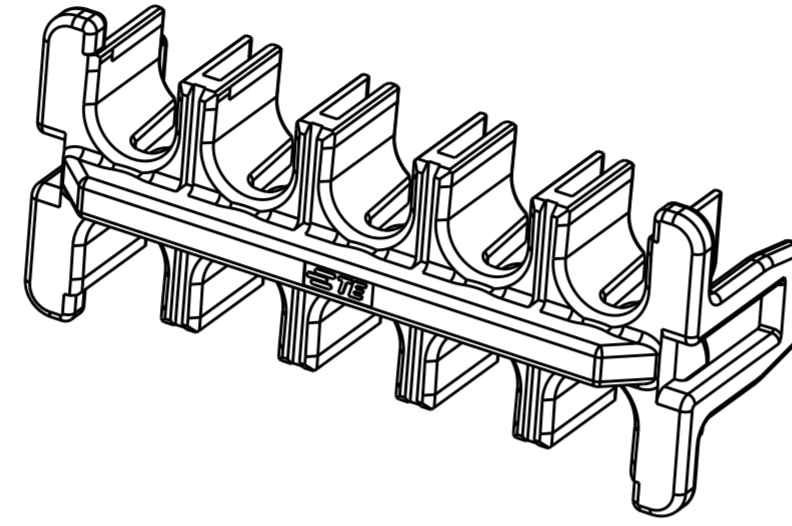
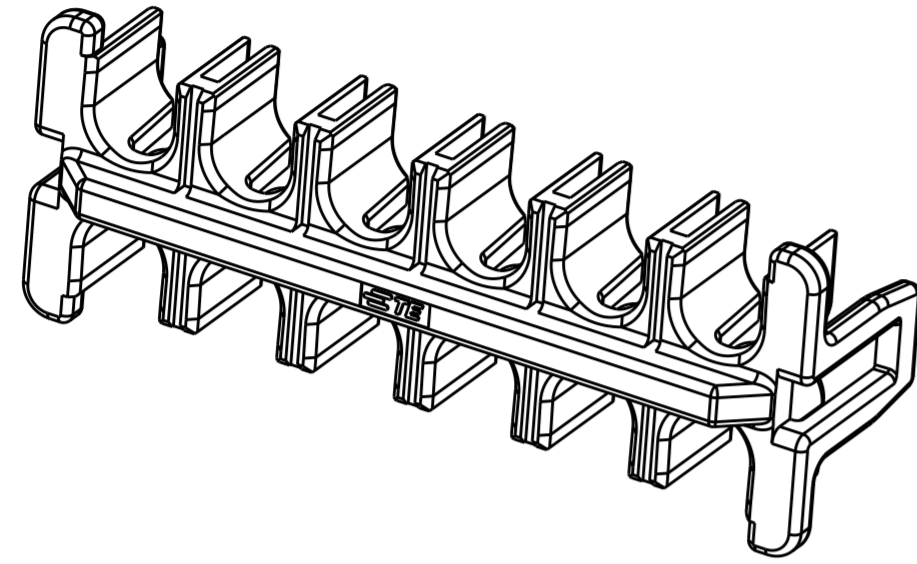
NOTE

- ① HIGH TEMP VERSIONS ARE RATED 150°C MAX AND ARE RECOMMENDED FOR USE WITH HIGH TEMP AND GLOW WIRE RATED HOUSINGS.
 - ② HOT WIRE IGNITION (HWI) VERSIONS ARE MOLDED IN A RESIN THAT COMPLIES WITH TE PENDING HOT WIRE IGNITION TEST AND ARE RECOMMENDED FOR USE WITH HWI HOUSINGS THAT ALSO COMPLY.
 - ③ STANDARD TEMPERATURE VERSIONS, RATED 140°C MAX ARE RECOMMENDED FOR USE WITH STANDARD TEMP AND GLOW WIRE RATED HOUSINGS.
 - 4. MATING CONN, P/N
 CAP HSG: *-1971*7*-*/*-22322***-*/*-22323***-
 PLUG HSG: *-1971*7*-*/*-22322***-*/*-22323***-
 - 5. FLAMMABILITY RATING: UL94 V-0
 - ⑥ PRELIMINARY - NOT RELEASED FOR PRODUCTION
7. This product has not completed validation testing.

THIS DRAWING IS A CONTROLLED DOCUMENT.		DWN TOMMY WU 09JUL2012	STE TE Connectivity	
		CHK HAPYE WU 09JUL2012		
		APVD YUHONG MAO 09JUL2012	NAME TPA, DOUBLE ROW POWER TRIPLE LOCK	
DIMENSIONS: mm		PRODUCT SPEC 108-106118	SIZE CAGE CODE DRAWING NO RESTRICTED TO	
TOLERANCES UNLESS OTHERWISE SPECIFIED:		APPLICATION SPEC 114-106118	A2 00779 C-1971778	
0 PLC ± -		WEIGHT -	SCALE - SHEET 1 OF 2 REV B	
1 PLC ± 0.35		Customer Drawing		
2 PLC ± 0.25				
3 PLC ± -				
4 PLC ± -				
ANGLES ± -				
FINISH				

THIS DRAWING IS UNPUBLISHED. RELEASED FOR PUBLICATION 20
 © COPYRIGHT 20 BY - ALL RIGHTS RESERVED.

LOC		DIST		REVISIONS			
P	LTR	DESCRIPTION	DATE	DWN	APVD		
-	-	SEE SHEET 1	-	-	-		



2*6 POSITIONS

2*5 POSITIONS

2*4 POSITIONS

2*3 POSITIONS

COLOR	MATERIAL	TYPE	POSITIONS	P/N
RED	PBT GF	STANDARD TEMP △3	2*6	△6 4-1971778-6
			2*5	△6 4-1971778-5
			2*4	△6 4-1971778-4
			2*3	△6 4-1971778-3
NATURAL	PBT GF	HWI △2	2*6	2-1971778-6
			2*5	2-1971778-5
			2*4	2-1971778-4
BLACK	NYLON PA66	HIGH TEMP △1	2*6	1971778-6
			2*5	1971778-5
			2*4	1971778-4
			2*3	1971778-3

THIS DRAWING IS A CONTROLLED DOCUMENT.

DIMENSIONS: mm	TOLERANCES UNLESS OTHERWISE SPECIFIED: 0 PLC ± - 1 PLC ± 0.35 2 PLC ± 0.25 3 PLC ± - 4 PLC ± - ANGLES ± - FINISH	DWN TOMMY WU 09JUL2012 CHK HAPYE WU 09JUL2012 APVD YUHONG MAO 09JUL2012	TE Connectivity	
MATERIAL		PRODUCT SPEC 108-106118 APPLICATION SPEC 114-106118	NAME TPA, DOUBLE ROW POWER TRIPLE LOCK	
		WEIGHT -	SIZE A2	CAGE CODE 00779
		Customer Drawing	DRAWING NO 1971778	RESTRICTED TO -
			SCALE -	SHEET 2 OF 2 REV B