

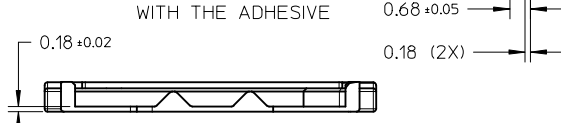
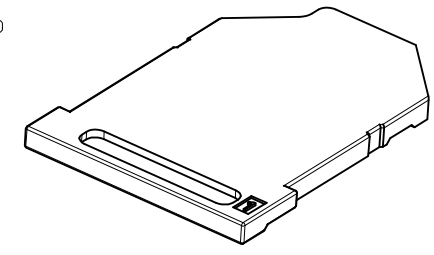
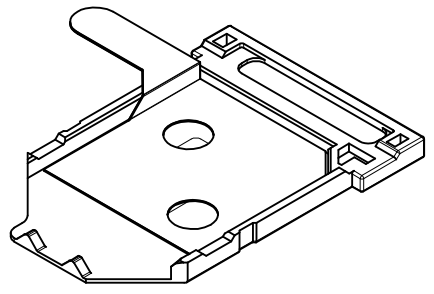
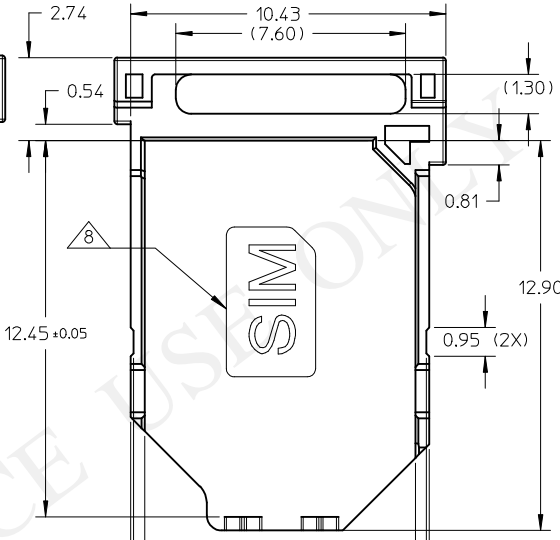
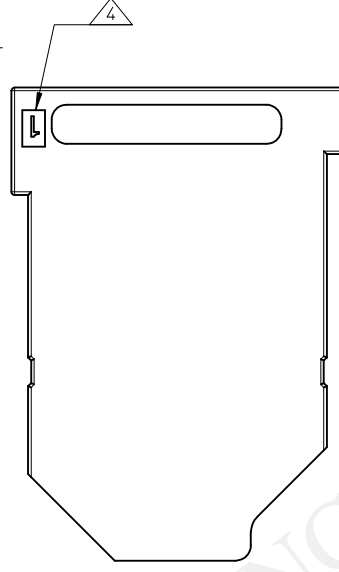
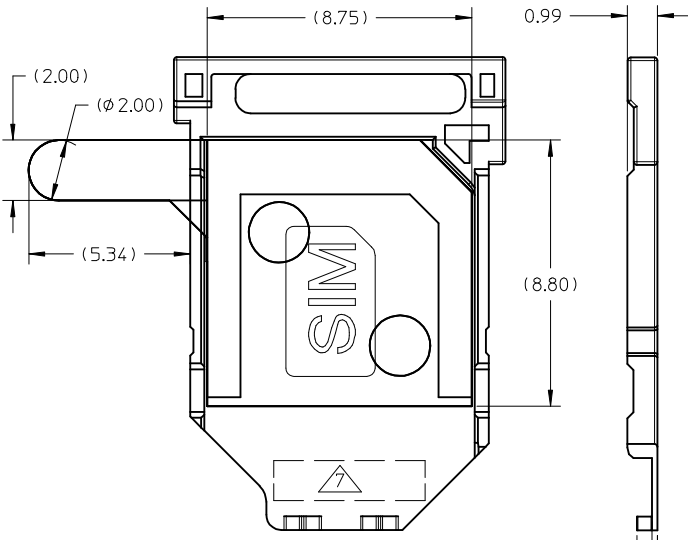
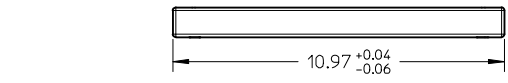
THIS DESIGN IS BASED ON DESIGN OBJECTIVES AND IS STRICTLY TENTATIVE. IT MAY CHANGE BASED ON RESULTS OF ADDITIONAL DESIGN REVIEWS & VERIFICATIONS.

NOTES:

1. MATERIALS:
POM, HB, BLACK
2. PACKAGING SPECIFICATION: PK-151073-0002
3. TRAY TO BE USED TOGETHER WITH MOLEX CONNECTOR (P/NO.:151073-0001/1000) ONLY.
4. CAVITY NO. LOCATION.
5. ALL WARPAGE: 0.25MM MAX.
6. UNLESS OTHERWISE SPECIFIED, FLASHES & MISMATCH SHALL NOT EXCEED 0.10MM.
7. LOCATION OF INK-MARKED DATECODE.
8. LOCATION OF LASER-MARKED SIM ICON.

RELEASED EC NO: S2015-1050 U DRWNS:SCHEONG 2015/03/19 CHKD:GMENARLY 2015/05/18 APPR:KHLIM 2015/05/18	DESCRIPTION REV	QUALITY SYMBOLS	GENERAL TOLERANCES (UNLESS SPECIFIED)		DIMENSION STYLE MM ONLY		SCALE NTS	DESIGN UNITS METRIC	THIRD ANGLE PROJECTION																																							
		$\nabla_A = 0$ $\nabla_C = 0$ $\nabla_P = 0$	<table border="1"> <tr> <td></td> <td>mm</td> <td>INCH</td> </tr> <tr> <td>4 PLACES</td> <td>± ---</td> <td>± ---</td> </tr> <tr> <td>3 PLACES</td> <td>± ---</td> <td>± ---</td> </tr> <tr> <td>2 PLACES</td> <td>± 0.10</td> <td>± ---</td> </tr> <tr> <td>1 PLACE</td> <td>± ---</td> <td>± ---</td> </tr> <tr> <td>0 PLACE</td> <td>± ---</td> <td>± ---</td> </tr> </table>		mm	INCH	4 PLACES	± ---	± ---	3 PLACES	± ---	± ---	2 PLACES	± 0.10	± ---	1 PLACE	± ---	± ---	0 PLACE	± ---	± ---	<table border="1"> <tr> <td>DRAWN BY</td> <td>DATE</td> <td>TITLE</td> </tr> <tr> <td>SCHEONG</td> <td>2014/07/16</td> <td></td> </tr> <tr> <td>CHECKED BY</td> <td>DATE</td> <td></td> </tr> <tr> <td>GMENARLY</td> <td>2015/03/10</td> <td></td> </tr> <tr> <td>APPROVED BY</td> <td>DATE</td> <td></td> </tr> <tr> <td>KHLIM</td> <td>2015/03/12</td> <td></td> </tr> </table>	DRAWN BY	DATE	TITLE	SCHEONG	2014/07/16		CHECKED BY	DATE		GMENARLY	2015/03/10		APPROVED BY	DATE		KHLIM	2015/03/12		<table border="1"> <tr> <td>MATERIAL NO.</td> <td>DOCUMENT NO.</td> <td>SHEET NO.</td> </tr> <tr> <td>151073-0011</td> <td>SD-151073-0002</td> <td>1 OF 1</td> </tr> </table>		MATERIAL NO.	DOCUMENT NO.	SHEET NO.	151073-0011	SD-151073-0002	1 OF 1
			mm	INCH																																												
		4 PLACES	± ---	± ---																																												
3 PLACES	± ---	± ---																																														
2 PLACES	± 0.10	± ---																																														
1 PLACE	± ---	± ---																																														
0 PLACE	± ---	± ---																																														
DRAWN BY	DATE	TITLE																																														
SCHEONG	2014/07/16																																															
CHECKED BY	DATE																																															
GMENARLY	2015/03/10																																															
APPROVED BY	DATE																																															
KHLIM	2015/03/12																																															
MATERIAL NO.	DOCUMENT NO.	SHEET NO.																																														
151073-0011	SD-151073-0002	1 OF 1																																														
ANGULAR ± 1 ° DRAFT WHERE APPLICABLE MUST REMAIN WITHIN DIMENSIONS			SIZE A3		THIS DRAWING CONTAINS INFORMATION THAT IS PROPRIETARY TO MOLEX INCORPORATED AND SHOULD NOT BE USED WITHOUT WRITTEN PERMISSION																																											
TRAY FOR 1.32MM HT NANO SIM CONNECTOR WITH DETECT PIN molex																																																

TRAY WITH TAPE P/N	ADHESIVE P/N
151073-0033	151073-0035



NOTES:

- MATERIALS:
TRAY: POM, HB, COOL GRAY 8U
ADHESIVE: SEKISUI 3805BS, 0.05MM, BLACK
- PACKAGING SPECIFICATION: PK-151073-0002
- TRAY TO BE USED TOGETHER WITH MOLEX CONNECTOR (P/NO.:151073-0001/1000) ONLY.
- △4 CAVITY NO. LOCATION.
- ALL WARPAGE: 0.25MM MAX.
- UNLESS OTHERWISE SPECIFIED, FLASHES & MISMATCH SHALL NOT EXCEED 0.10MM.
- △7 LOCATION OF LASER-MARKED DATECODE.
- △8 LOCATION OF LASER-MARKED SIM ICON, WITHOUT LASER THE LETTERS.
- △9 ADHESIVE TAPE COVERED WITH RELEASE PAPER. SEE SD-151073-0008 FOR DETAILS ON ADHESIE TAPE.
- THE TRAY SHOULD NOT BE USED WITH SIM CUTTING CARD (0.76-0.84 THICKNESS)

WITHOUT THE ADHESIVE

THIS DESIGN IS BASED ON DESIGN OBJECTIVES AND IS STRICTLY TENTATIVE. IT MAY CHANGE BASED ON RESULTS OF ADDITIONAL DESIGN REVIEWS & VERIFICATIONS.

B

A

RELEASED EC NO: S2016-0054 DRWN:SCHEONG 2015/07/02 CHKD: APPR:SCHEONG 2015/07/14	QUALITY SYMBOLS	GENERAL TOLERANCES (UNLESS SPECIFIED)		DIMENSION STYLE MM ONLY		SCALE NTS	DESIGN UNITS METRIC	THIRD ANGLE PROJECTION
	▽ _A =0	mm	INCH	DRAWN BY SCHEONG	DATE 2015/04/23	TITLE TRAY, SLOT FINGER ACCESS NANO SIM CONNECTOR WITH DETECT PIN		
	▽ _G =0	4 PLACES ± --- ± ---	3 PLACES ± --- ± ---	CHECKED BY	DATE	1 OF 1		
	▽ _P =0	2 PLACES ± 0.10 ± ---	1 PLACE ± --- ± ---	APPROVED BY SCHEONG	DATE 2015/04/24	MATERIAL NO. 151073-0033		
0 PLACE ± --- ± ---	ANGULAR ± 1 °		DRAFT WHERE APPLICABLE MUST REMAIN WITHIN DIMENSIONS		DOCUMENT NO. SD-151073-0007		SHEET NO. 1 OF 1	
6	REV	THIS DRAWING CONTAINS INFORMATION THAT IS PROPRIETARY TO MOLEX INCORPORATED AND SHOULD NOT BE USED WITHOUT WRITTEN PERMISSION						