



T-Motor Air Gear 450

SKU 108990080

- Working noiselessly with excellent stability, fast response and high efficiency
- Easy to handle for both newbies and veterans
- Suitable for various frames for diverse demands



— Features —



Noiseless



Easy to install

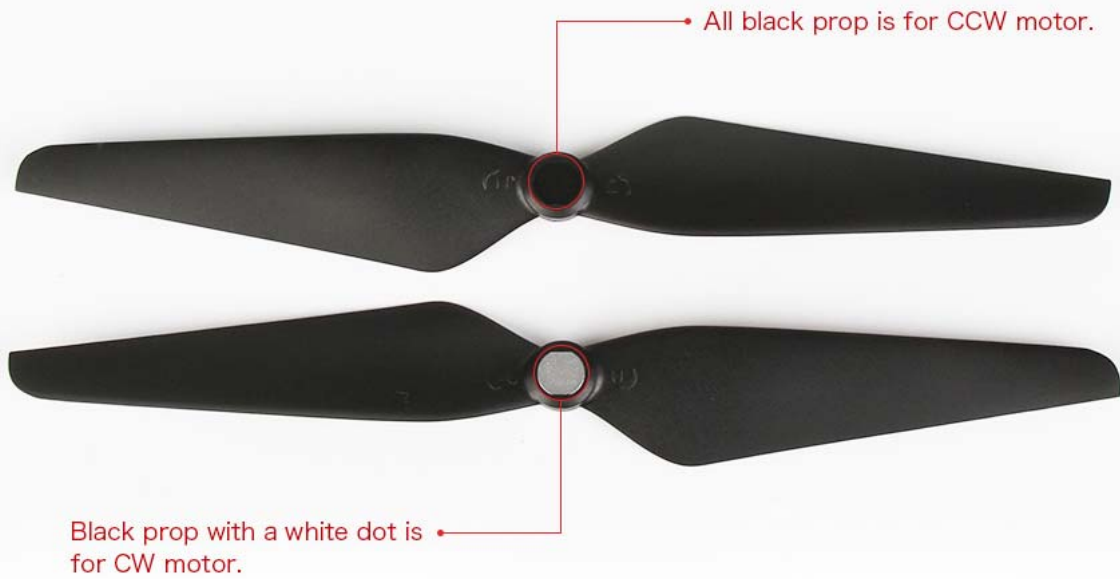


Exquisite texture



Strong,
durable & steady





AIR 20A ESC 3-4S LIPO

Professional ESC for multirotors with programme optimization. Signal refresh rate up to 600HZ.
MOSFET with low internal resistance for excellent performance, weight minimization and high integration.



Easy and simple

self-locking installation method.



Suitable for various
frames for diverse demands



AIR GEARTM 450

MULTIROTOR DRIVING EQUIPMENT SET



4pcs AIR2216 KV880 brushless motors
 4pcs T1045 polymer self-tightening props
 (2CW+2CCW)
 4pcs AIR20A ESC
 Accessories

US\$: 129.99



4pcs AIR2216 KV880 brushless motors
 4pcs T1045 polymer self-tightening props
 (2CW+2CCW)
 Accessories

US\$: 89.99

Part List:

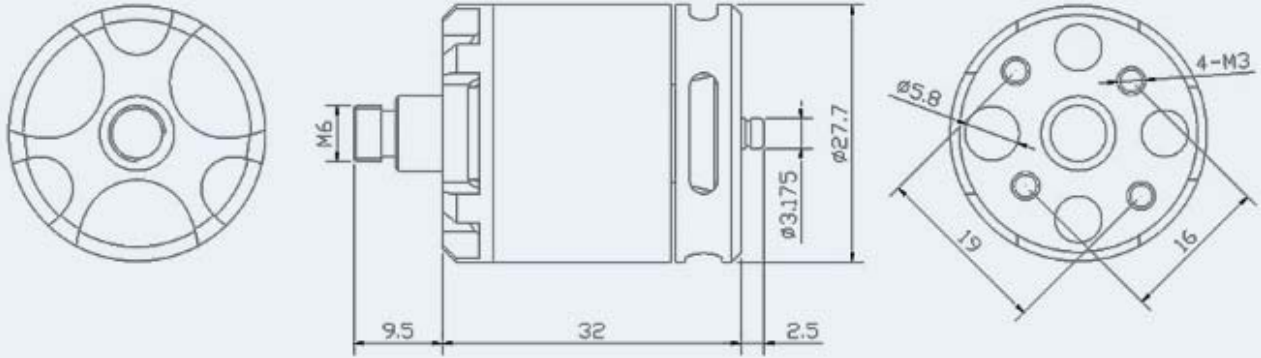
- 4 x AIR2216 KV880 Brushless Motors
- 4 x T1045 Polymer Self-Tightening Props(2CW+2CCW)
- 4 x AIR20A ESC

ECCN/HTS

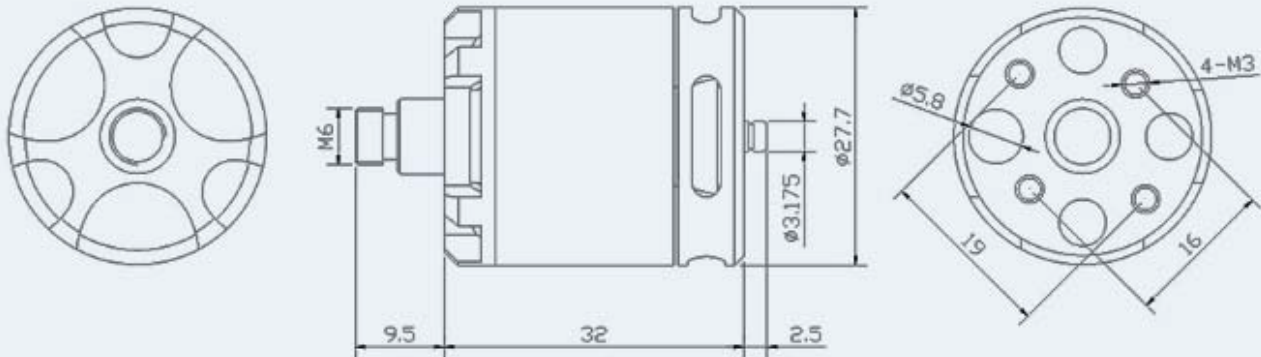
ECCN	ERA99
HSCODE	8501310000
UPC	



Product Drawing-AIR2216



Product Drawing-AIR2216



Performance Parameter-AIR2216

KV	880	Rated Voltage (Lipo)	2-4S
Idle Current (10V)	0.6A-0.8A	ESC Recommendation	AIR 20A
Peak Current (180s)	16A	Propeller Recommendation	T1045
Max. Power (180s)	260W	Motor Weight (Incl. Cable)	65±2g
Internal Resistance	115±15mΩ	Lead Length	43-50mm

Performance Parameter-AIR 20A

Size(L×W×H)	53x22x7mm	Rated Voltage (Lipo)	3-4S
Con. Current	20A	BEC	NO
Peak Current(10s)	30A	Weight (Incl. Cable)	21g
Banana Plug	3.5mm	Throttle Signal Frequency	50Hz-600Hz

Performance Parameter-T1045

Plastic Propeller	10" *4.5 (260mm×30mm)	Working Temp	-10°C ~ 40°C
Weight (Single Propeller)	17g	Storage Temp	10°C ~ 35°C
Material	Nylon+Glass fiber	Storage Humidity	65±20%RH
Surface Treatment	Matte Technology	Optimum RPM	6000-7000 RPM/min
Propeller Type	Polymer Propeller	Thrust Limitation	1.2kg

Test Report-AIR2216

Item No.	Propeller	Throttle	Voltage (V)	Torque (N*m)	Thrust (g)	Current (A)	RPM	Input power (W)	Efficiency (g/W)	Operating Temperature
AIR2216 KV880	T-motor T1045	50%	16	0.07	435	3.5	6015	56	7.77	53.5°C
		55%	16	0.08	527	4.6	6620	73.6	7.16	
		60%	16	0.09	608	5.6	7113	89.6	6.79	
		65%	16	0.11	702	6.8	7563	108.8	6.45	
		75%	16	0.13	888	9.5	8545	152	5.84	
		85%	16	0.15	1076	12.3	9442	196.8	5.47	
		100%	16	0.18	1293	16.2	10464	259.2	4.99	

Notes:Motor temperature is motor surface temperature @100% throttle running 10 mins.
(Data above based on benchtest of 2018 are for reference only. Comparison with that of other motor types is not recommended.)

Contents-AIR GEAR 450



AIR 2216x4



AIR 20Ax4



T1045(CW&CCW)x2

Please check that your package contains all the above items before use.
If something is missing, please contact T-MOTOR.