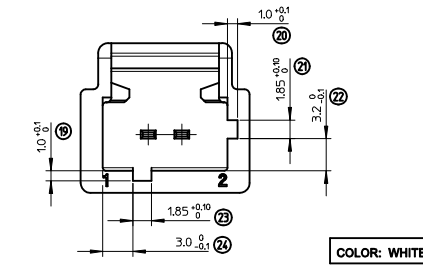
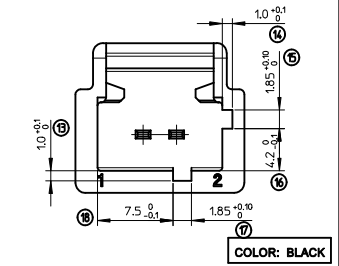
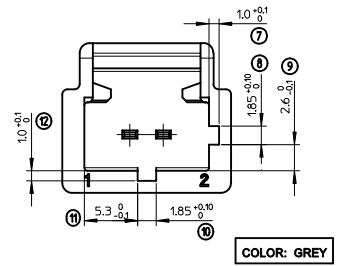
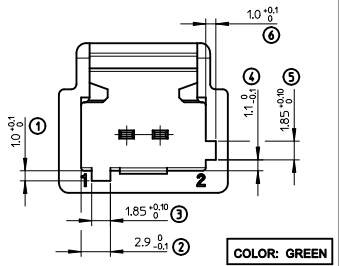
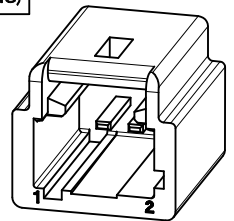


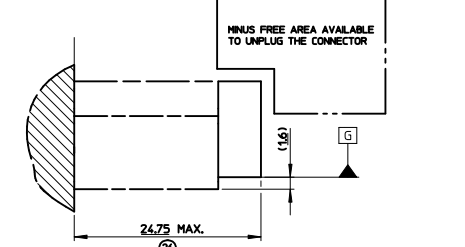
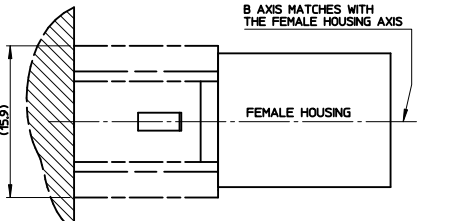
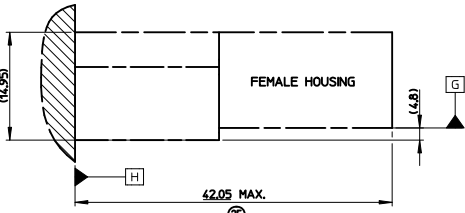
**CODINGS**



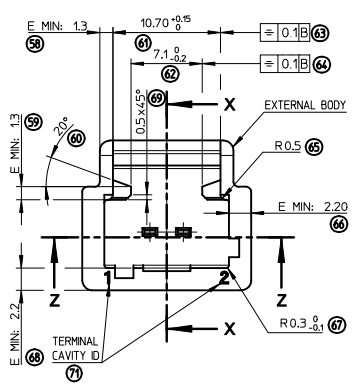
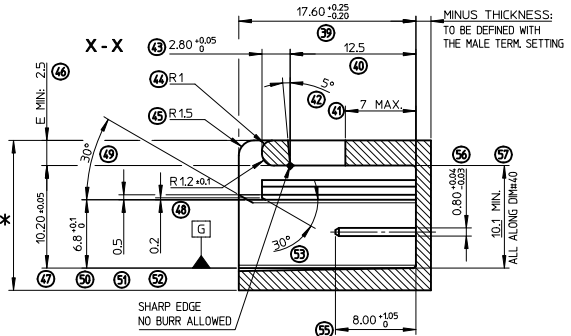
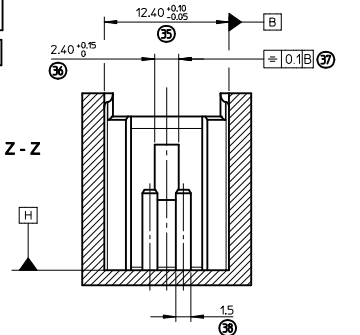
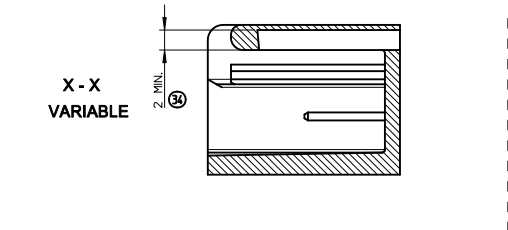
**ISO VIEW  
(GREEN CODING)**



**OVERALL DIMENSIONS**



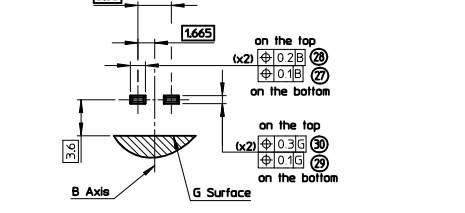
**HEADER'S DEFINITION  
GREEN CODING REPRESENTED**



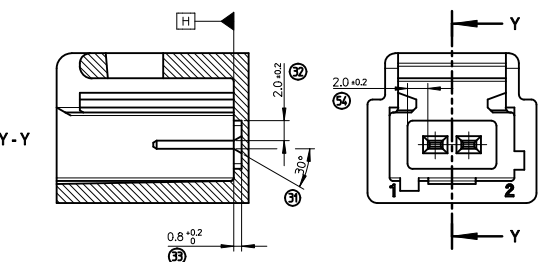
**NOTES:**

- MALE TERMINALS:**
  - MALE TERMINALS RESISTANCE: 100N MIN IN MALE TERM. AXIS.
  - MATERIAL: COPPER, COPPER ALLOY OR BRASS.
  - FINISHES: TIN PLATED 2μ MIN.
- HEADER:**
  - RADII WITHOUT DIM: R=0.3MM
  - E MIN: MINIMUM MATERIAL THICKNESS RECOMMENDED FOR SPECIFIED MATERIAL
  - MATERIAL: PBT (RECOMMENDED) (70)
  - \* WARPING: 0.35MM MAX. ACCEPTED ON "\*" DIM. WITH ANOTHER EXTERNAL SHAPE AS DRAWN WHEN PLUGGED.
- MATES WITH:**
  - MOLEX CONNECTORS 9887-102X

**MALE TERMINALS SETTING**



**MALE TERMINALS VARIABLE SETTING**



REV.	1	71		
	FIRST	LAST	DELETED	SUPERSEDED

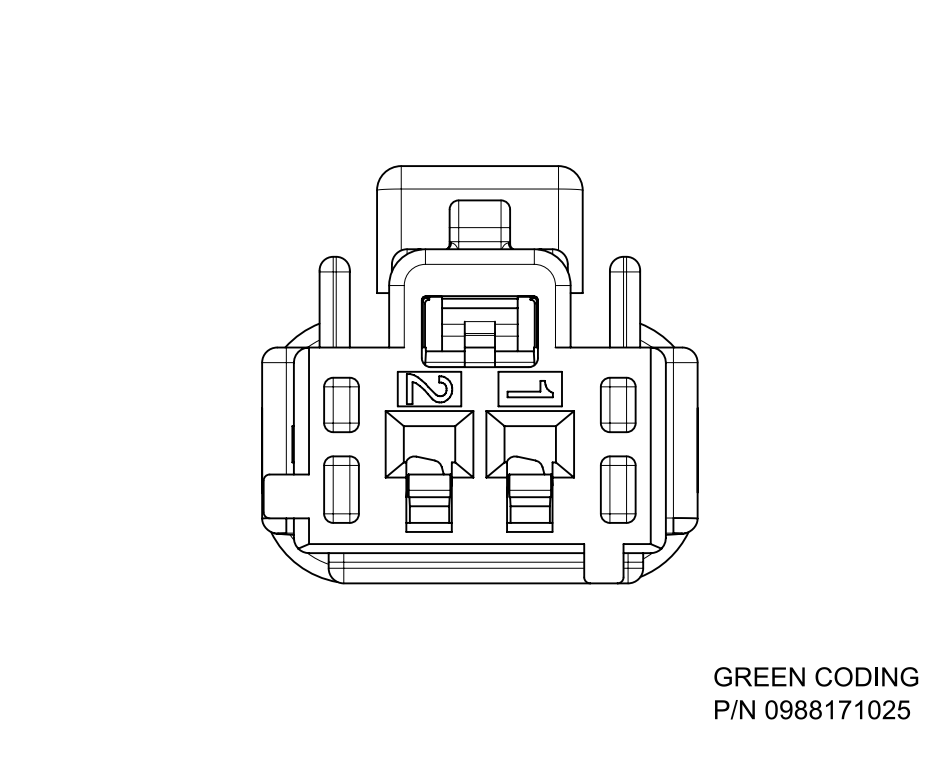
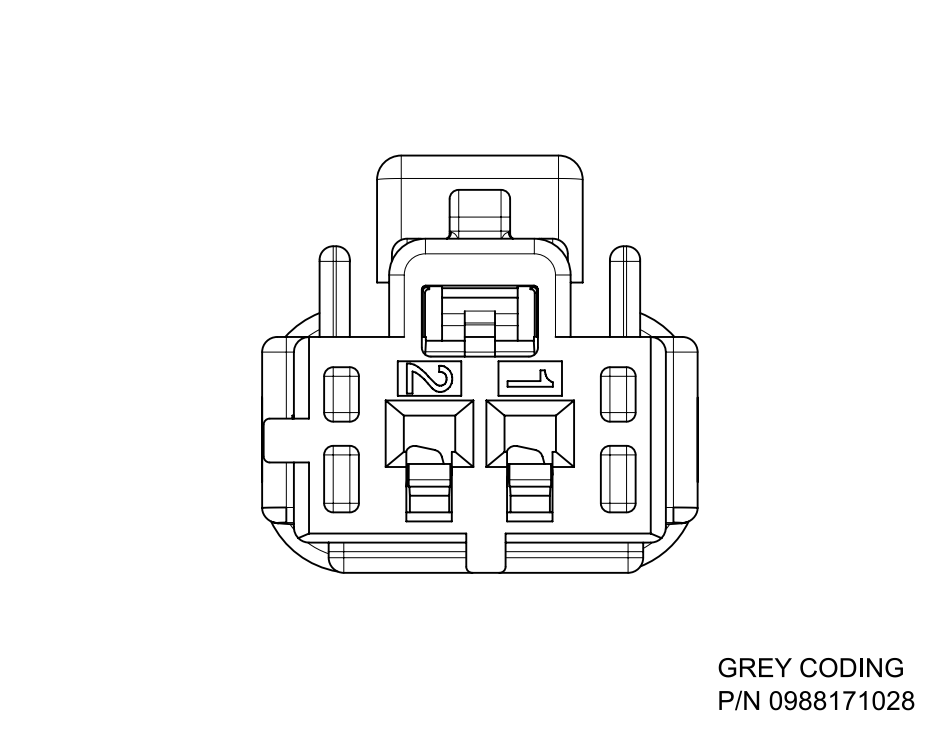
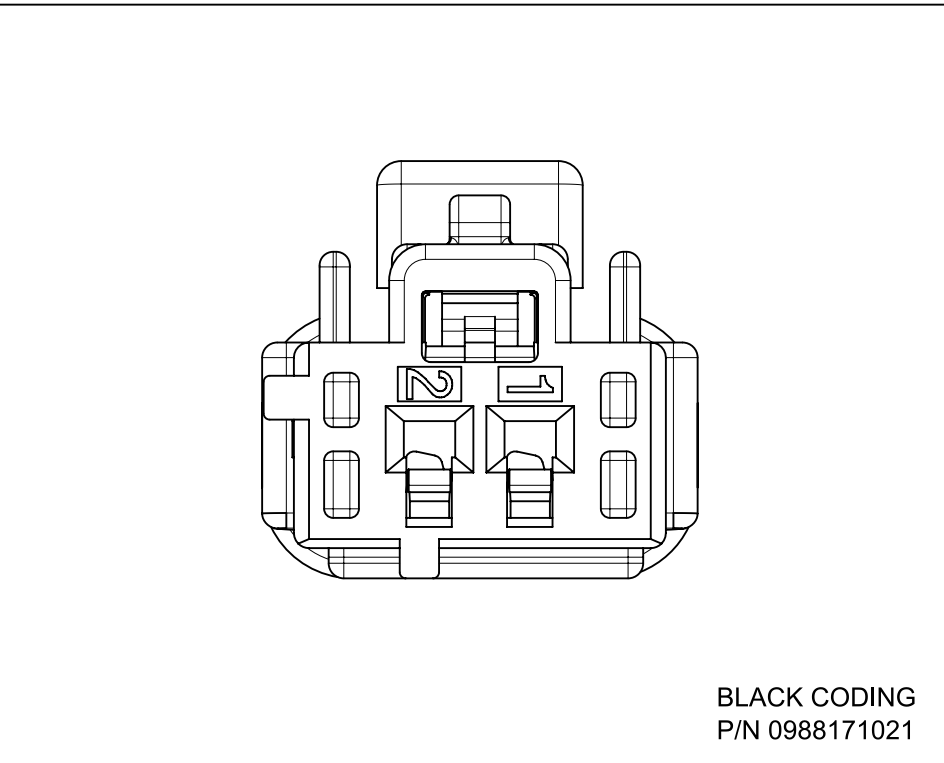
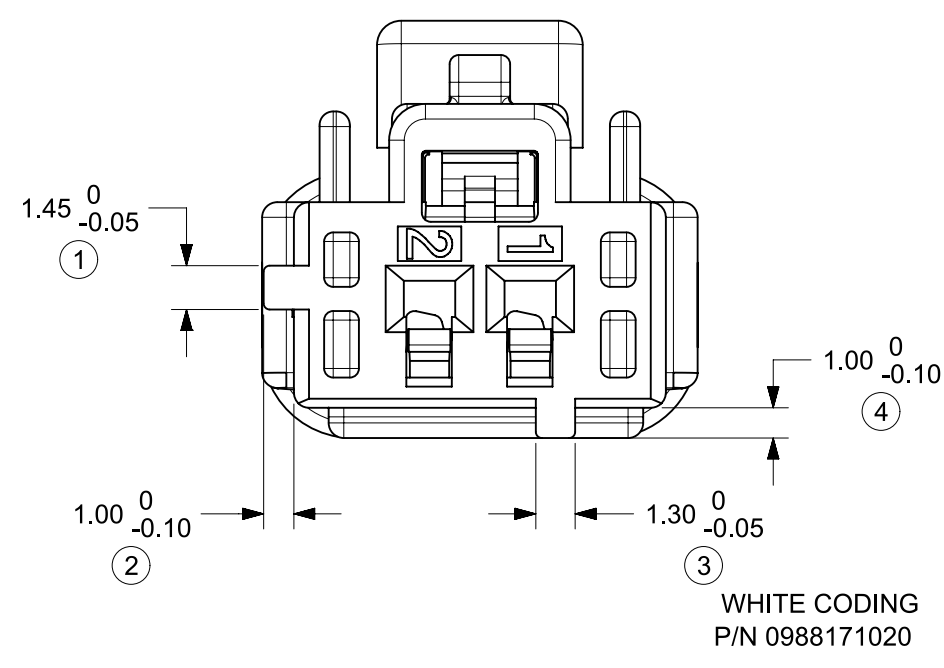
INSPECTION NUMBERS

PRINT 1ST RELEASE EC NO: G2012-0179 DRAWN BY: GDESBRUERES 2012/04/18 CHKD: JDUCCLOS 2012/04/18 APPROVED: OPLESSIS 2012/04/23	QUALITY SYMBOLS	GENERAL TOLERANCES (UNLESS SPECIFIED)	DIMENSION STYLE	SCALE	DESIGN UNITS	FIRST ANGLE PROJECTION
		4 PLACES ± --- ± ---	MM ONLY	4:1	METRIC	
		3 PLACES ± --- ± ---				
		2 PLACES ± 0.1 ± ---				
	1 PLACE ± 0.1 ± ---					
	0 PLACE ± ±					
		ANGULAR ± 2 °				
		DRAFT WHERE APPLICABLE MUST REMAIN WITHIN DIMENSIONS				

DRAWN BY: GDESBRUERES	DATE: 2012/04/18	TITLE: 2W INTERFACE 15 TERM. (FOR FEMALE HOUSING)
CHECKED BY: JDUCCLOS	DATE: 2012/04/18	
APPROVED BY: OPLESSIS	DATE: 2012/04/23	
MATERIAL NO: N/A	DOCUMENT NO: SD-98815-002	SHEET NO: 1 OF 1

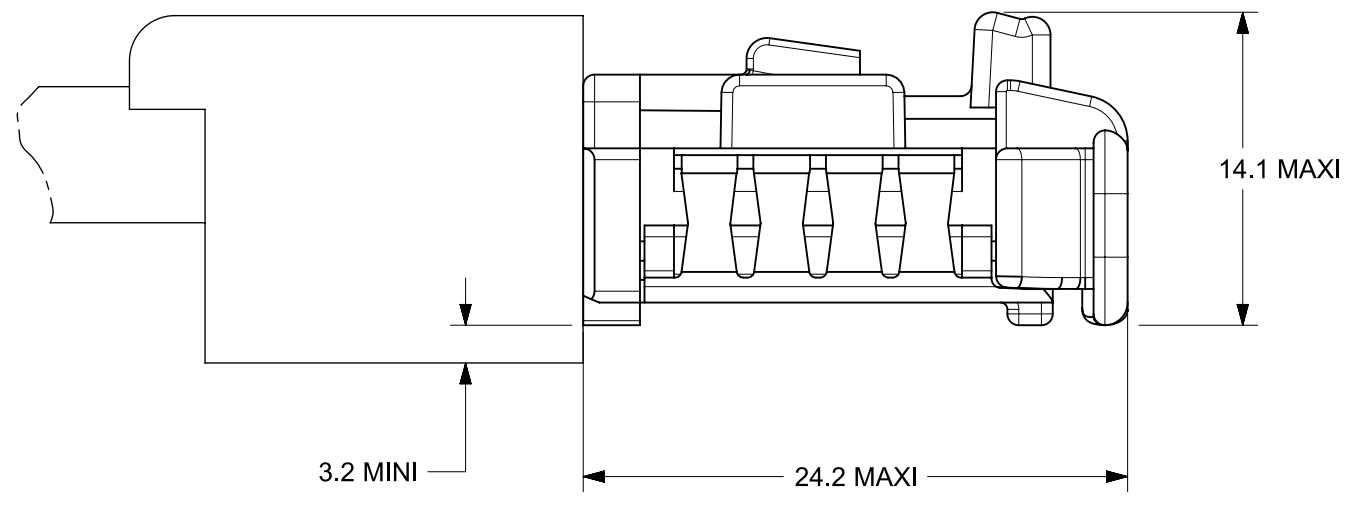
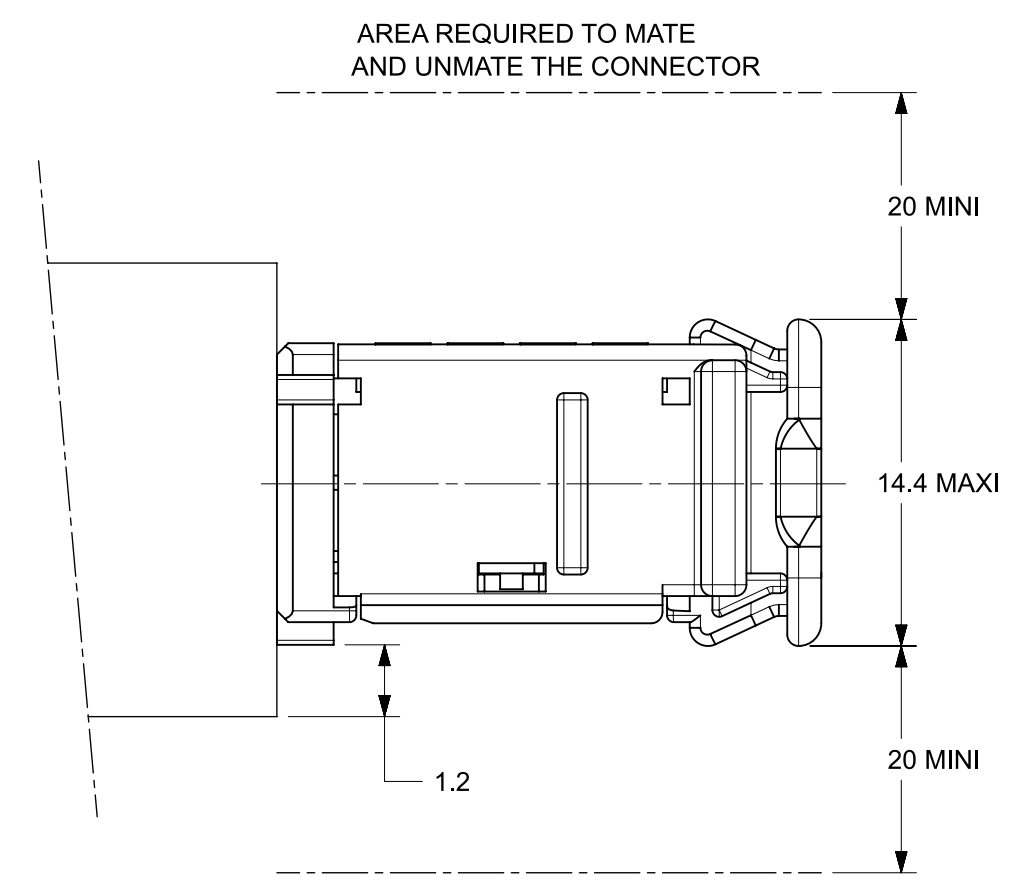
**molex**

THIS DRAWING CONTAINS INFORMATION THAT IS PROPRIETARY TO MOLEX INCORPORATED AND SHOULD NOT BE USED WITHOUT WRITTEN PERMISSION

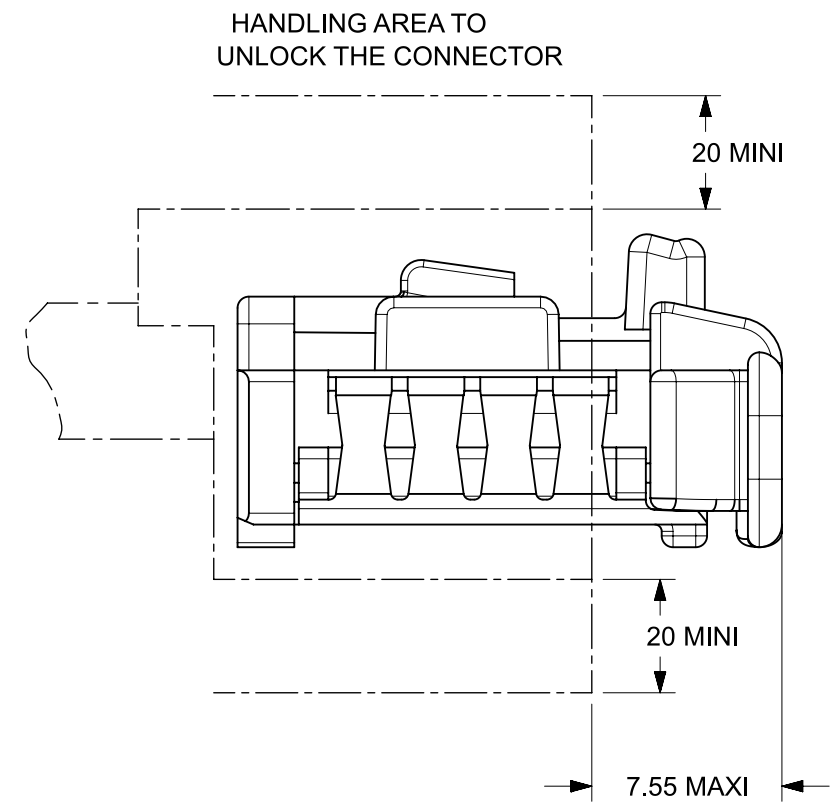


CODING 4:1

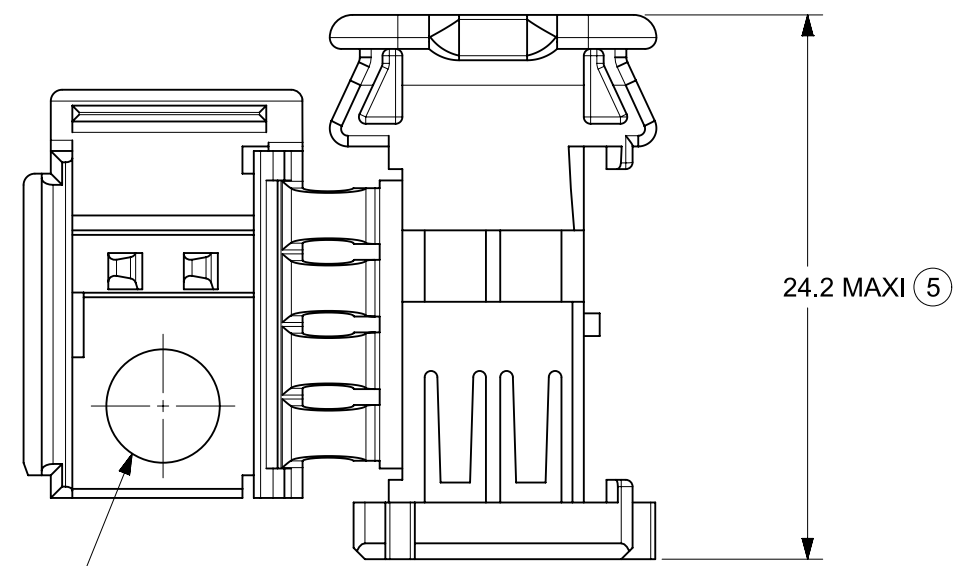
HANDLING AREA



- NOTE :
- 1 - THE USING CONDITIONS OF THE HINGE ARE SHOWN IN THE MOLEX SPECIFICATION N°AS-98821-001.
  - 2 - FEMALE TERMINAL USED : SCC RCPT TERM 1.5MM
    - RANGE 1 : 0988971109 (0.22 MM² TO 2X0.22 MM²)
    - RANGE 2 : 0988971119 (0.5 MM² TO 1 MM² INCLUDED)
    - RANGE 3 : 0988971129 (2X0.5 MM² TO 2 MM² INCLUDED)
  - 3 - FEMALE CONNECTOR WILL MATE WITH MALE CONNECTOR P/N 098822102X.

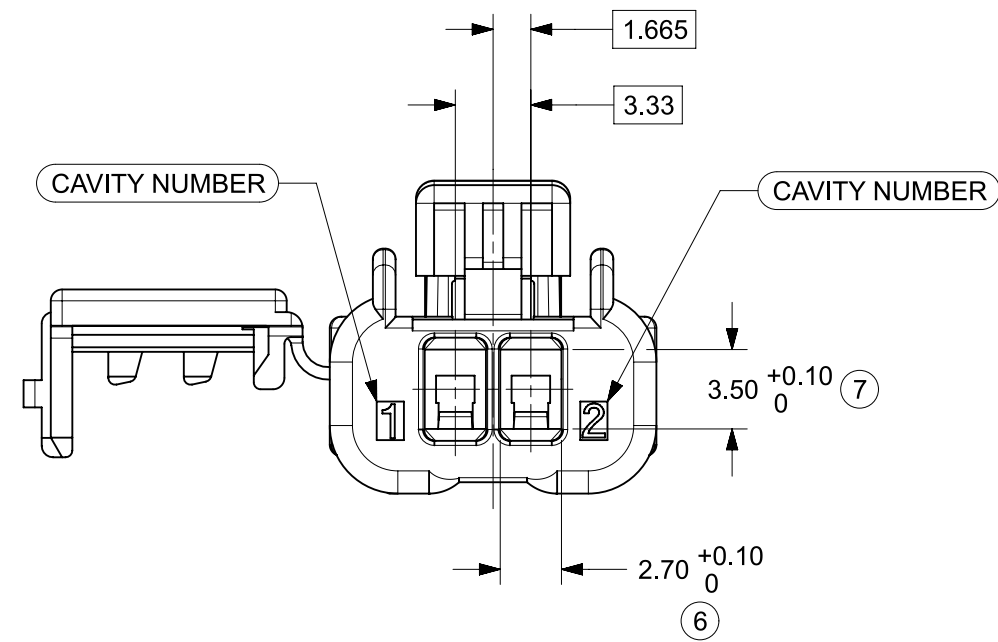


FUNCTIONAL SYMBOLS	THIS DRAWING CONTAINS INFORMATION THAT IS PROPRIETARY TO MOLEX ELECTRONIC TECHNOLOGIES, LLC AND SHOULD NOT BE USED WITHOUT WRITTEN PERMISSION										
	DIMENSION UNITS	SCALE	CURRENT REV DESC: B: TWO WALLS ADDED, MARKING LOCATION CHANGED, B1: TYPO CORRECTED								
$F_A = 0$	mm	3:1	PHASE: Design Production								
$F_C = 0$	GENERAL TOLERANCES (UNLESS SPECIFIED)		CO NO: CO-000001747							PRODUCT SALES DRAWING	
$F_P = 0$	ANGULAR TOL ± 1.0°		4 PLACES ±				DRWN: Srikanth CV 2022-11-15			DOCUMENT NUMBER	
DIVISIONAL SYMBOLS	3 PLACES ±		2 PLACES ± 0.050				CHK'D: Frederic Parolari 2022-11-15			DOC TYPE	
	1 PLACE ± 0.10		0 PLACES ±				APPR: Bruno Dessirier 2022-11-15			DOC PART	
	DRAFT WHERE APPLICABLE MUST REMAIN WITHIN DIMENSIONS		INITIAL REVISION: DRWN: RFC_PLMIMP				APPR: LSTICKEIR 2008-03-10			REVISION	
	FIRST ANGLE PROJECTION		DRAWING		SERIES		MATERIAL NUMBER		SHEET NUMBER		
	A2-SIZE		98817		SEE CHART		CUSTOMER		1 OF 2		
			GENERAL MARKET								



DATUM MONTH/YEAR

24.2 MAXI ⑤

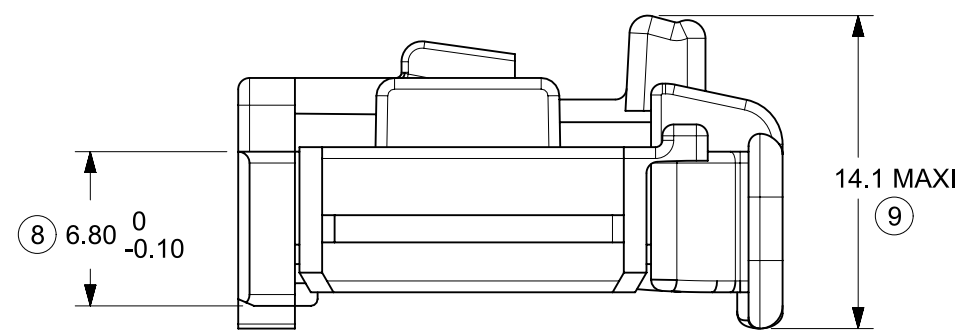


CAVITY NUMBER

CAVITY NUMBER

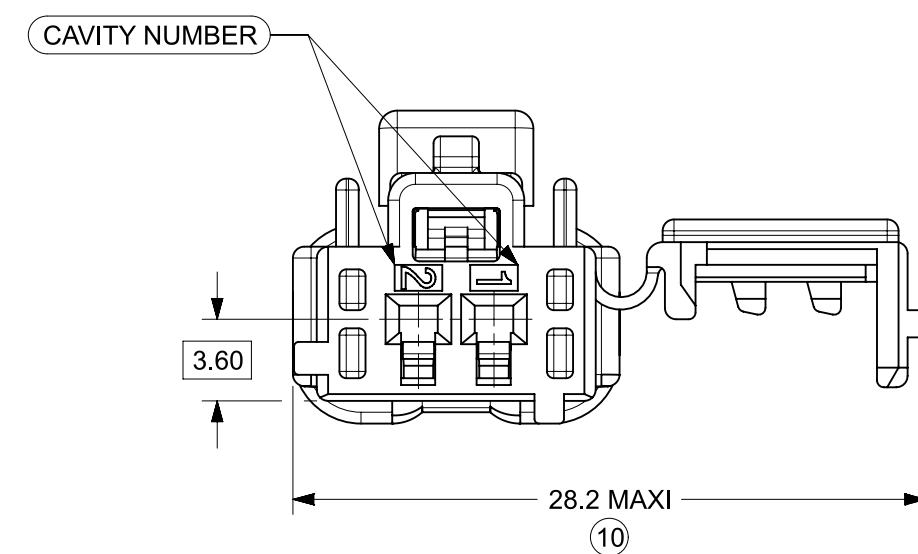
3.50 <sup>+0.10</sup>/<sub>0</sub> ⑦

2.70 <sup>+0.10</sup>/<sub>0</sub> ⑥



6.80 <sup>0</sup>/<sub>-0.10</sub> ⑧

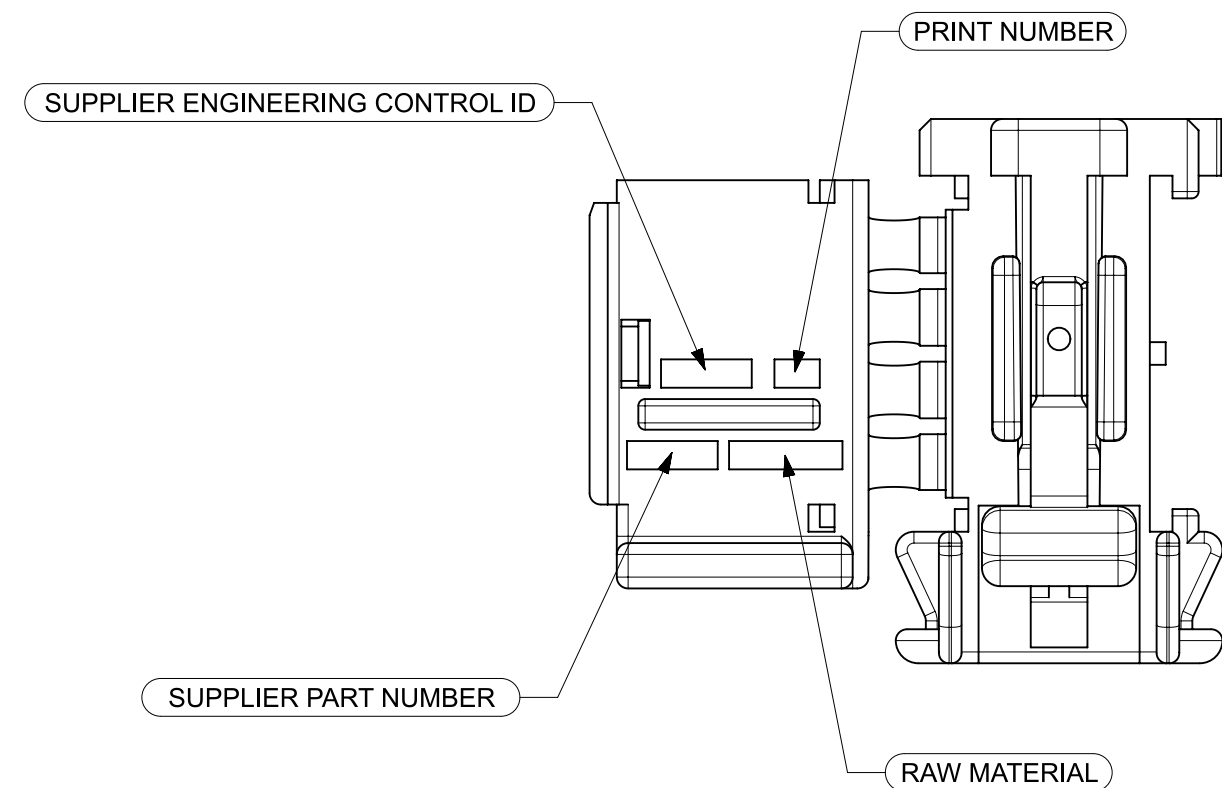
14.1 MAXI ⑨



CAVITY NUMBER

3.60

28.2 MAXI ⑩

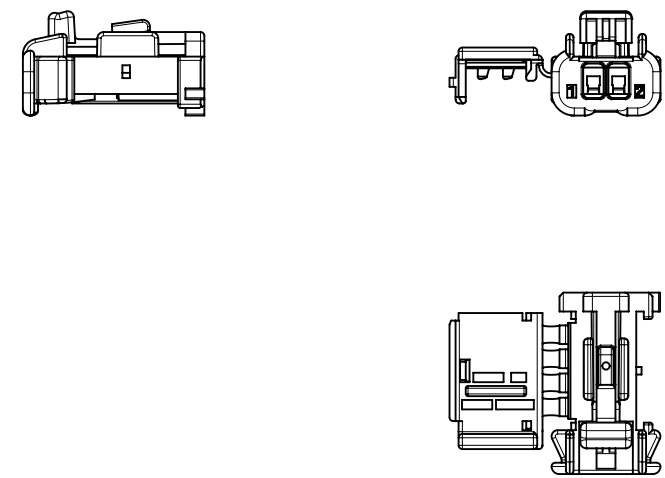


SUPPLIER ENGINEERING CONTROL ID

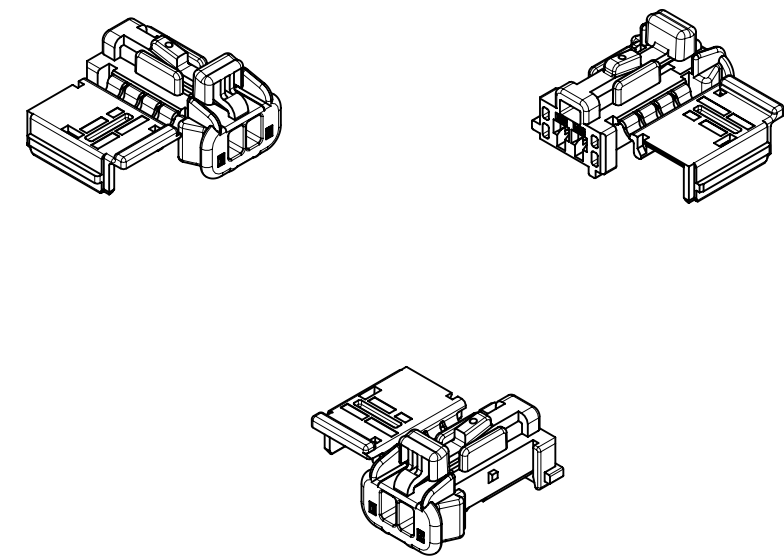
PRINT NUMBER

SUPPLIER PART NUMBER

RAW MATERIAL



SCALE 1:1



SCALE 1:1

GREEN CODING (P/N 0988171025) IS SHOWN.

NSSC RCPT HSG 1.5 2CKT	0988171028	GREY	POLYESTER (PBT)	1.723 g
	0988171025	GREEN		
	0988171021	BLACK		
	0988171020	WHITE		
DESCRIPTION	PART NUMBER	COLOR	RAW MATERIAL	WEIGHT EFFECTIVE

FUNCTIONAL SYMBOLS $\nabla_A = 0$ $\nabla_C = 0$ $\nabla_P = 0$ DIVISIONAL SYMBOLS	THIS DRAWING CONTAINS INFORMATION THAT IS PROPRIETARY TO MOLEX ELECTRONIC TECHNOLOGIES, LLC AND SHOULD NOT BE USED WITHOUT WRITTEN PERMISSION										
	DIMENSION UNITS	SCALE	CURRENT REV DESC: B: TWO WALLS ADDED, MARKING LOCATION CHANGED, B1: TYPO CORRECTED								
	mm	3:1	PHASE: Design Production CO NO: CO-000001747 DRWN: Srikanth CV 2022-11-15 CHK'D: Frederic Parolari 2022-11-15 APPR: Bruno Dessirier 2022-11-15								
	GENERAL TOLERANCES (UNLESS SPECIFIED)		INITIAL REVISION: DRWN: RFC_PLMIMP APPR: LSTICKEIR 2008-03-10								
ANGULAR TOL ± 1.0°		4 PLACES ±		3 PLACES ±		2 PLACES ± 0.050		1 PLACE ± 0.10		0 PLACES ±	
DRAFT WHERE APPLICABLE MUST REMAIN WITHIN DIMENSIONS		FIRST ANGLE PROJECTION	DRAWING	SERIES	MATERIAL NUMBER	CUSTOMER	DOCUMENT NUMBER		DOC TYPE	DOC PART	REVISION
			A2-SIZE	98817	SEE CHART	GENERAL MARKET	SD-98817-001		PSD	001	B1
											SHEET NUMBER
											2 OF 2

**molex**

NSSC RCPT HSG 1.5 2CKT

PRODUCT SALES DRAWING