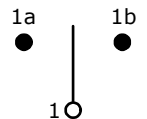


RECOMMENDED PANEL MOUNTING

PANEL THICKNESS	X
0.75-1.25	19.2 - 19.3
1.25-2.00	19.3 - 19.4
2.00-3.00	19.5 - 19.6

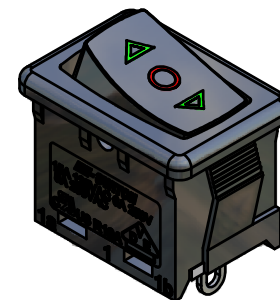
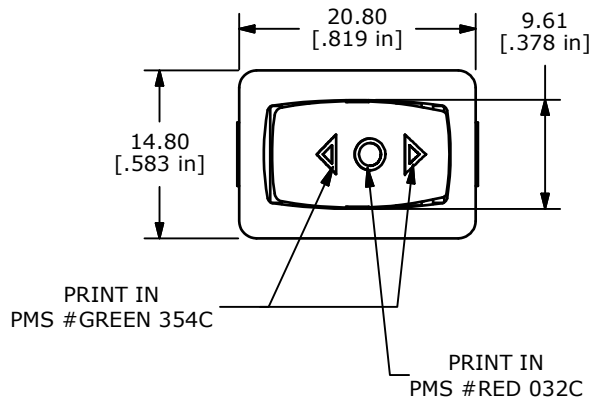
SWITCH FUNCTION		
POS. 1	POS. 2	POS. 3
ON	OFF	ON
1a-1	OPEN	1-1b



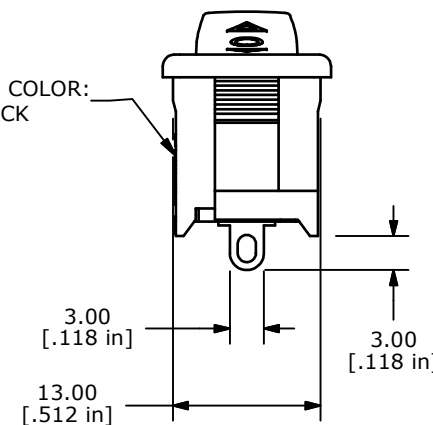
CIRCUIT: SPDT

NOTES:

- ALL DIMENSIONS IN MM [INCH]
- GENERAL TOLERANCE: X.X=±0.4  
X.XX=±0.25
- TERM. NOS. FOR REF. ONLY
- RATING: 15A @125VAC;  
8A @250VAC.
- ▲ LAMP VOLTAGE: NO LAMP
- MATERIAL:  
CONTACT SURFACE: COIN SILVER, SILVER PLATED.  
TERMINAL: COPPER ALLOY W/SILVER PLATE
- ELECTRICAL LIFE: 10,000 CYCLES
- CONTACT RESISTANCE: <20 MILLI-OHMS INITIAL
- DIELECTRIC STRENGTH: >1,500V AC 1 MIN
- INSULATION RESISTANCE: 1,000 MEGA-OHMS
- ▲ DENOTES CRITICAL PARAMETER.
- 2002/95/EC (ROHS) COMPLIANT.



OBSOLETE  
 November 2017  
 PCR 23112



REV	PCR NO	DESCRIPTION	DATE	BY
B	19359	UPDATE HOUSING	11/02/10	BMA
A	18276	RELEASED FOR PRODUCTION	10/20/08	BLR

TITLE R1966DBLKBLKHS W / GREEN ARROWS AND RED DOT				
SCALE	DATE	DR	DWG	REV
1.5:1	10/20/2008	BLR	M309334	B