

# Analog Devices Welcomes Hittite Microwave Corporation

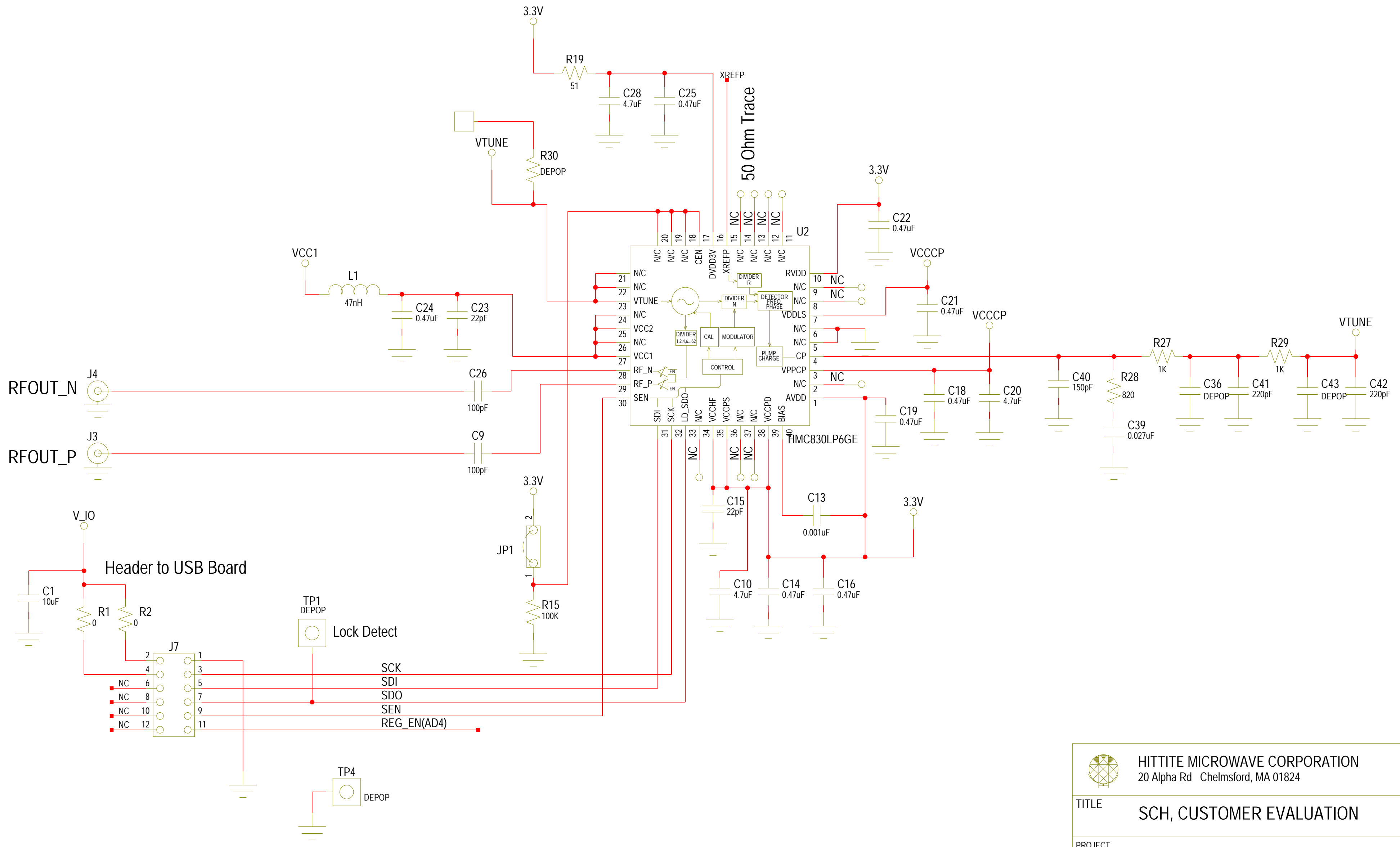
NO CONTENT ON THE ATTACHED DOCUMENT HAS CHANGED




**THIS PAGE INTENTIONALLY LEFT BLANK**

REVISIONS					
REV	ECN#	ZONE	DESCRIPTION	NAME	DATE
D	CP120346	----	CHANGE PER CP120346	D. ACEVAL	01/03/2012
E	CP121059	----	CHANGE PER CP121059	V. VADUVA	10/01/2012

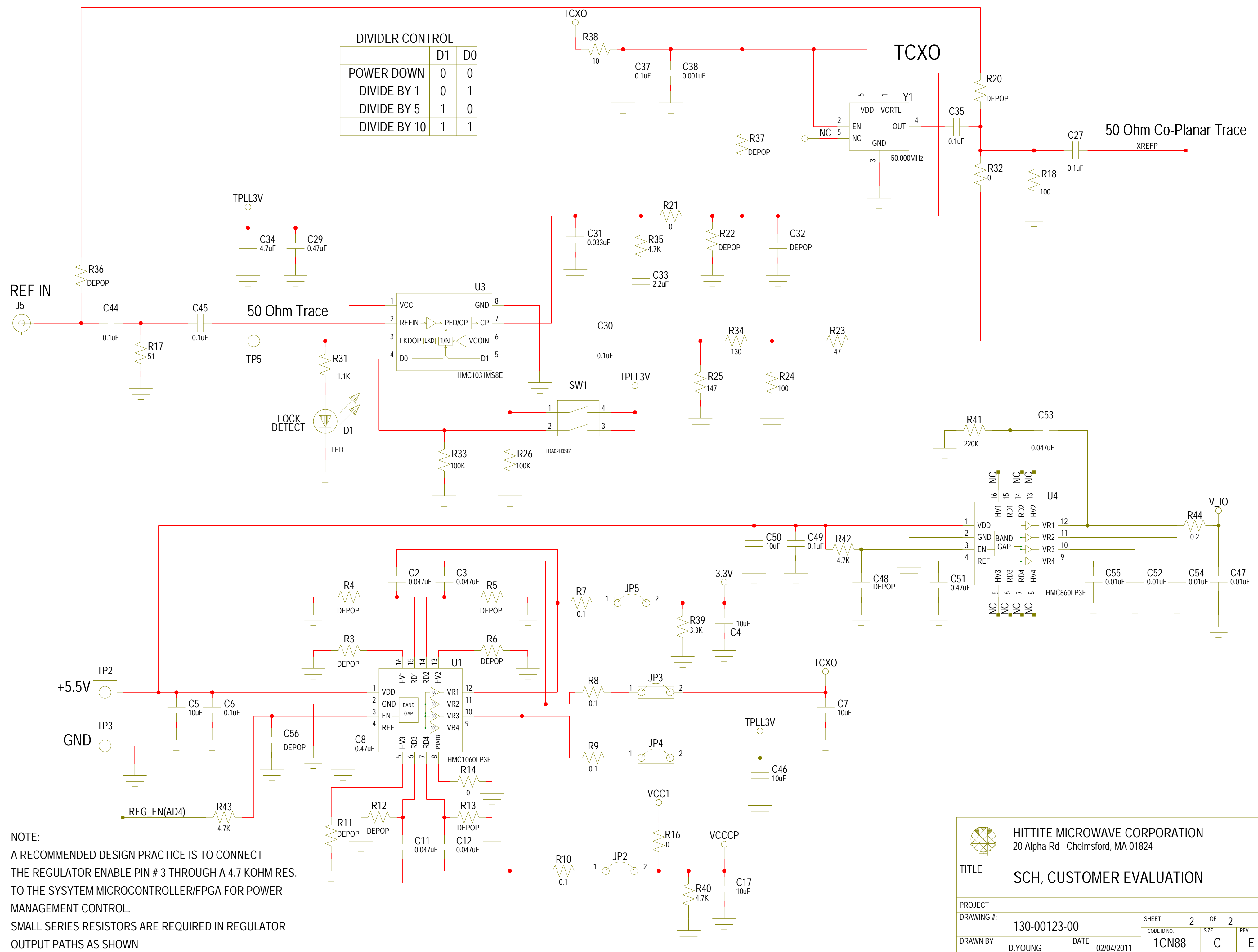
NOTICE OF PROPRIETARY PROPERTY: THIS DOCUMENT AND THE INFORMATION CONTAINED IN IT ARE THE PROPRIETARY PROPERTY OF HITTITE MICROWAVE CORPORATION. IT MAY NOT BE COPIED OR USED IN ANY MANNER NOR MAY ANY OF THE INFORMATION IN OR UPON IT BE USED FOR ANY PURPOSE WITHOUT THE EXPRESSED WRITTEN CONSENT OF AN AUTHORIZED AGENT OF HITTITE MICROWAVE CORPORATION.



 <b>HITTITE MICROWAVE CORPORATION</b> 20 Alpha Rd Chelmsford, MA 01824		TITLE	
		SCH, CUSTOMER EVALUATION	
PROJECT		DRAWING #:	
		130-00123-00	
DRAWN BY		DATE	
D.YOUNG		02/04/2011	
SHEET		1	OF 2
CODE ID NO.		1CN88	SIZE
		C	REV
		E	

DIVIDER CONTROL

	D1	D0
POWER DOWN	0	0
DIVIDE BY 1	0	1
DIVIDE BY 5	1	0
DIVIDE BY 10	1	1



NOTE:  
 A RECOMMENDED DESIGN PRACTICE IS TO CONNECT THE REGULATOR ENABLE PIN # 3 THROUGH A 4.7 KOHM RES. TO THE SYSYTEM MICROCONTROLLER/FPGA FOR POWER MANAGEMENT CONTROL.  
 SMALL SERIES RESISTORS ARE REQUIRED IN REGULATOR OUTPUT PATHS AS SHOWN

**HITTITE MICROWAVE CORPORATION**  
 20 Alpha Rd Chelmsford, MA 01824

TITLE: **SCH, CUSTOMER EVALUATION**

PROJECT: \_\_\_\_\_  
 DRAWING #: **130-00123-00** SHEET **2** OF **2**  
 CODE ID NO. **1CN88** SIZE **C** REV **E**  
 DRAWN BY **D.YOUNG** DATE **02/04/2011**