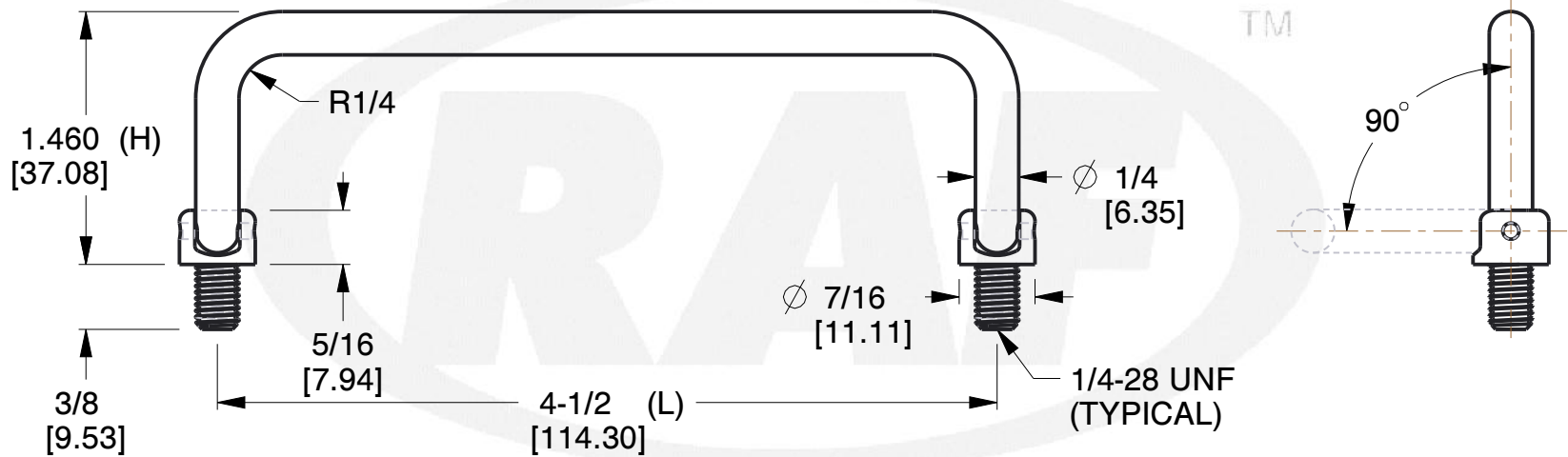
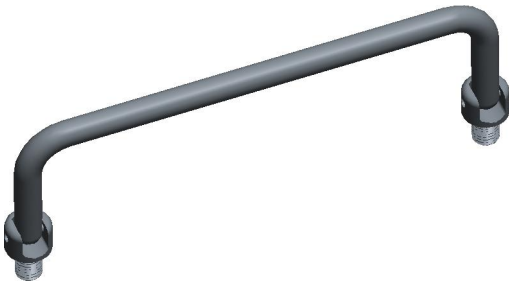


REV	CHANGE	DATE	DRN	CHK
	Drawn	01/13/16	SJ	T

TOLERANCE DETAILS				
1	H	±1/32 [±0.79]		
2	L	±1/32 [±0.79]		



**NOTES:**

1. Material : Aluminum (QQ-A-225/8B, QQ-A-200/9D) (RoHS Comp.)
2. Finish : Nickel QQ-N-290 Class 1 Grade G
3. % of Thread for Tapped Holes : Form Tap - 55 | Cut Tap - 65
4. Threads are Supplied Cut or Rolled at RAF's Option Unless Noted on Order.
5. Threads are to Commercial 2A and 2B Standards per Handbook H-28 (Part 1)
6. ASME Y14.5M - 2009
7. Unless otherwise specified; Edge Breaks,Radii or Countersinks 0.005-0.015
8. Nuts and washers supplied

COMPONENT	HANDLES
8584-2528-A	SCALE
	0.95
	SHEET
1/4 ROUND, 90° FREE FALL EXTERNAL THREADED HANDLE	1 of 1



95 Silvermine Rd., Seymour CT 06483  
Tel: 203-888-2133, Fax: 203-888-9860

This Drawing is the Property of RAF.  
It contains confidential, proprietary  
information that is RAF property. Do  
not disclose to or duplicate for others  
except as authorized by RAF.

**TOLERANCES**  
ALL DIMENSIONS ARE INCHES  
(UNLESS OTHERWISE SPECIFIED)  
**METALLIC**  
LENGTHS < 6 INCHES ± 0.005  
LENGTH > 6 INCHES ± 0.010  
DIAMETERS: ± 0.005  
**NON-METALLIC**  
LENGTH: ± 0.010 DIAMETERS: ± 0.010  
**INTERNAL THREADS:**  
MINIMUM THREAD DEPTH