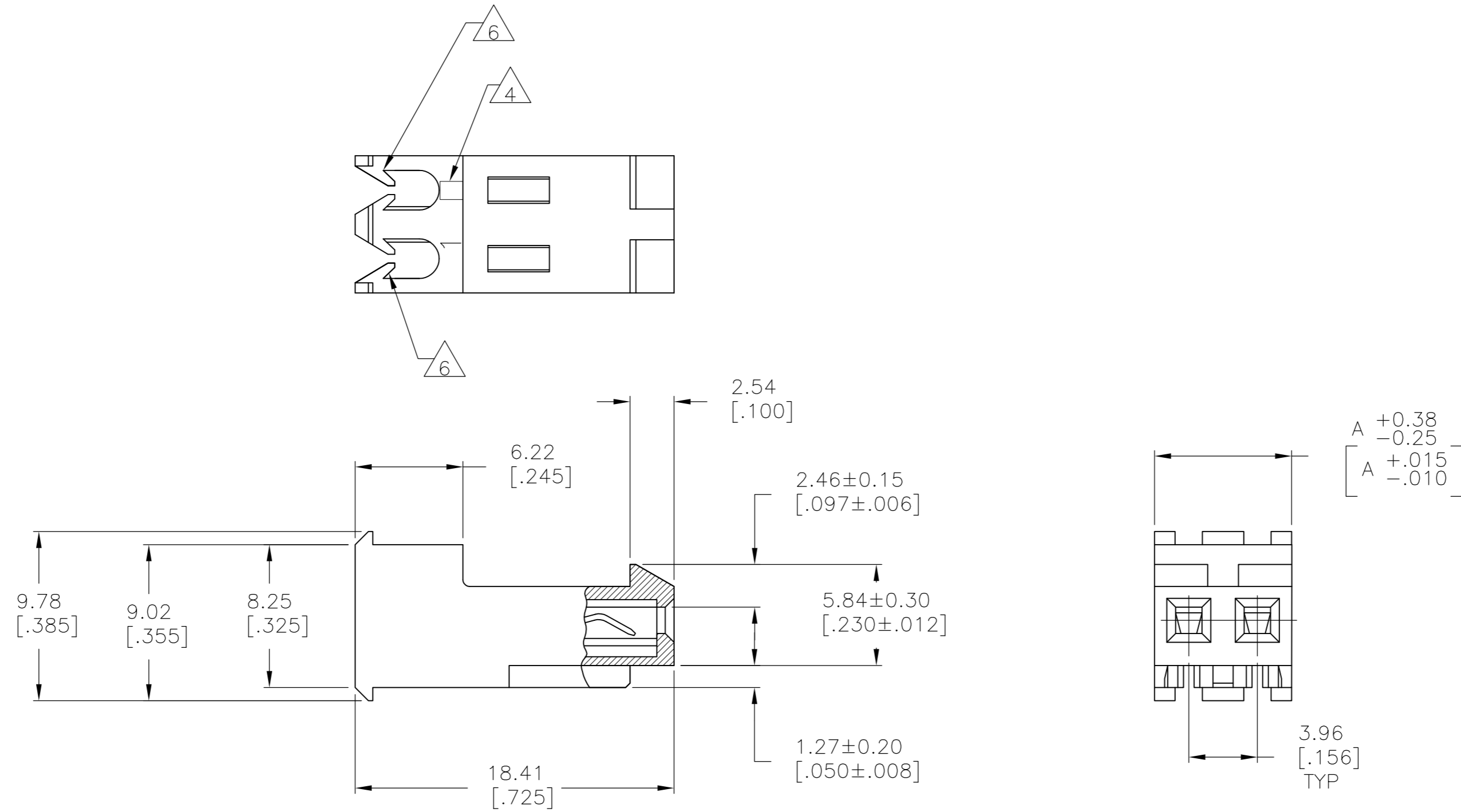


THIS DRAWING IS UNPUBLISHED. RELEASED FOR PUBLICATION
 © COPYRIGHT - TE Connectivity Ltd. ALL RIGHTS RESERVED.

| REVISIONS | | | | |
|-----------|-----|---------------------------|-----------|--------|
| P | LTR | DESCRIPTION | DATE | APVD |
| D | | REVISED PER ECR-17-018335 | 22JAN2018 | BDA SG |



1 MATERIAL: CONNECTOR- NYLON UL94V-2 (ORANGE)
 CONTACTS - 0.30[.012] THICK COPPER ALLOY BRIGHT TIN-LEAD
 0.00203[.000080] MIN THICK FOR -2 THRU -28
 - 0.30[.012] THICK COPPER ALLOY MATTE WHISKER
 MITIGATED TIN 0.00203[.000080] MIN THICKNESS
 OVER NICKEL UNDERPLATE FOR -32 THRU -58.

- 2. CONTACTS ACCEPT 18 AWG WIRE WITH 2.41 [.095] MAXIMUM INSULATION DIAMETER.
- 3. CONTACTS MUST ACCEPT 1.14±0.03 [.045±.001] SQUARE POST AND REMAIN LOCKED IN POSITION.

4 IDENTIFICATION NUMBER FOR LAST CIRCUIT MAY NOT APPEAR ON ALL ASSEMBLIES.

5. HOUSING FEATURES ARE: FEED THRU WITH LOCKING RAMP.

6 CONNECTOR HAS STRAIN RELIEF TINES IN ALL POSITIONS. STANDARD CONNECTOR LACKS TINES ON ONE SIDE OF OUTSIDE WALLS OF HOUSING.

7 OBSOLETE PARTS

| | | | | |
|---|------------|-------------|-----------------|------------|
| | TIN | 7.92 [.312] | 2 | 3-647463-2 |
| 7 | SUPERSEDED | TIN-LEAD | 7.92 [.312] | 2 |
| | FINISH | DIM A | NO. OF CIRCUITS | PART NO. |

| | | | | | |
|--|--|------------------|-------------------|----------|--|
| THIS DRAWING IS A CONTROLLED DOCUMENT. | | DWN | 20FEB02 | S. HAMM | |
| DIMENSIONS: mm [INCHES] | | CHK | 20FEB02 | D. BOSSI | |
| TOLERANCES UNLESS OTHERWISE SPECIFIED: | | APVD | 20FEB02 | D. BOSSI | |
| 0 PLC ± - | | PRODUCT SPEC | - | | |
| 1 PLC ± - | | APPLICATION SPEC | - | | |
| 2 PLC ± - | | WEIGHT | - | | |
| 3 PLC ± 0.13 [.005] | | SCALE | A2 00779 C=647463 | | |
| 4 PLC ± - | | SHEET | 1 OF 1 | | |
| ANGLES ± - | | REV | D | | |
| FINISH | | CUSTOMER DRAWING | | | |

TE TE Connectivity Ltd.

MTA-156 CONNECTOR ASSEMBLY
 18 AWG, SPECIAL

SIZE CAGE CODE DRAWING NO RESTRICTED TO

A2 00779 C=647463

SCALE 4:1 SHEET 1 OF 1 REV D