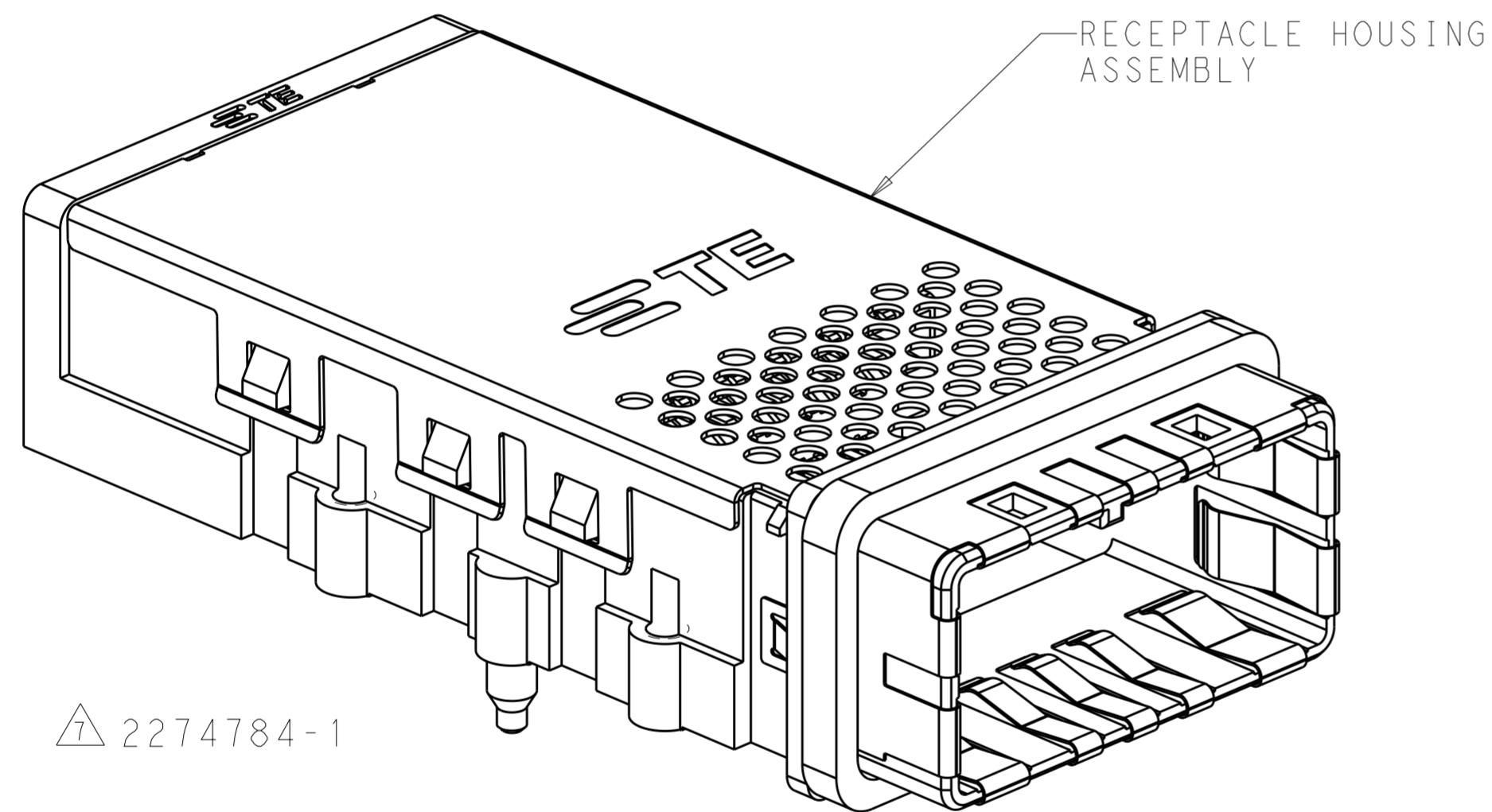
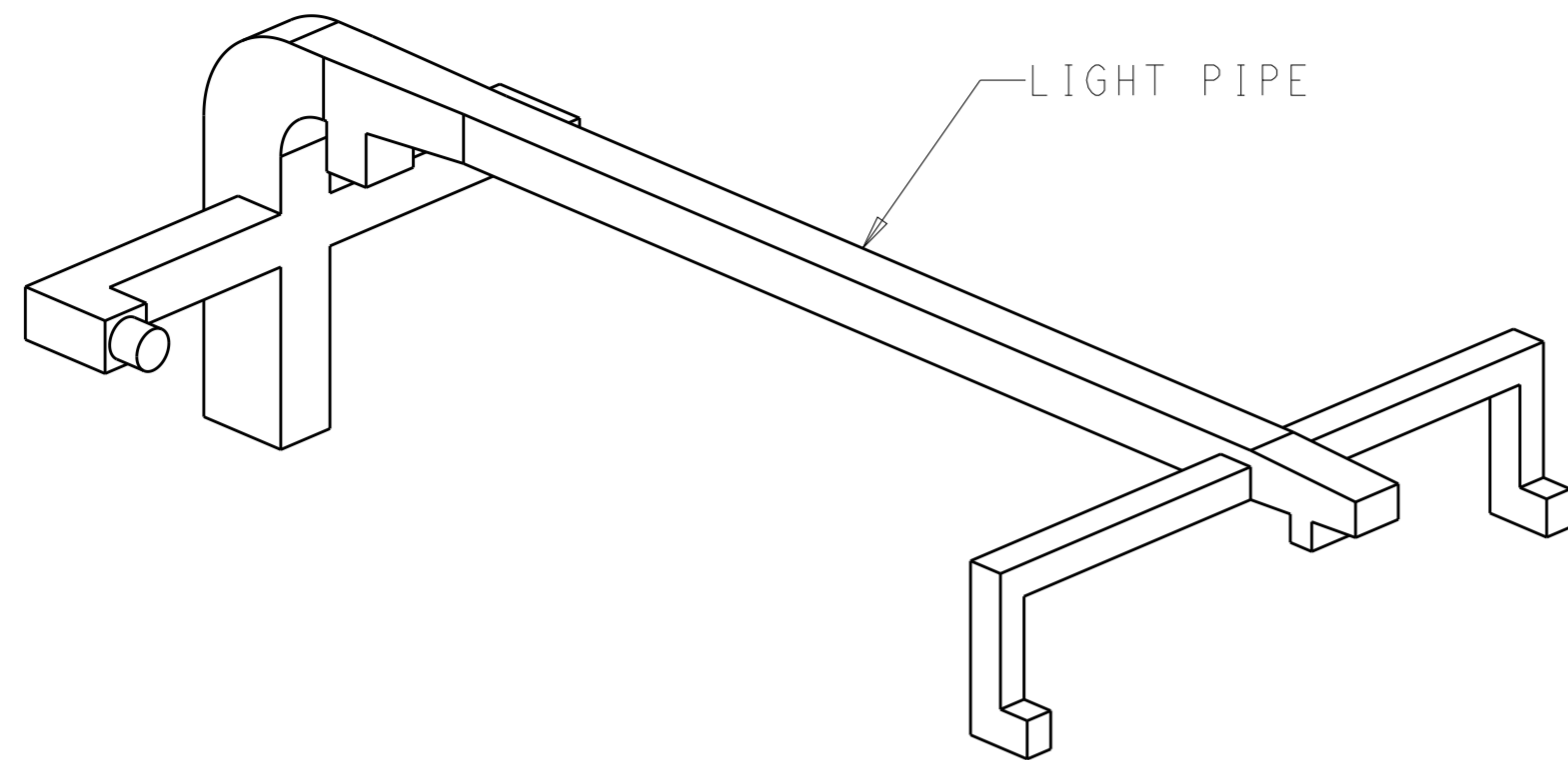
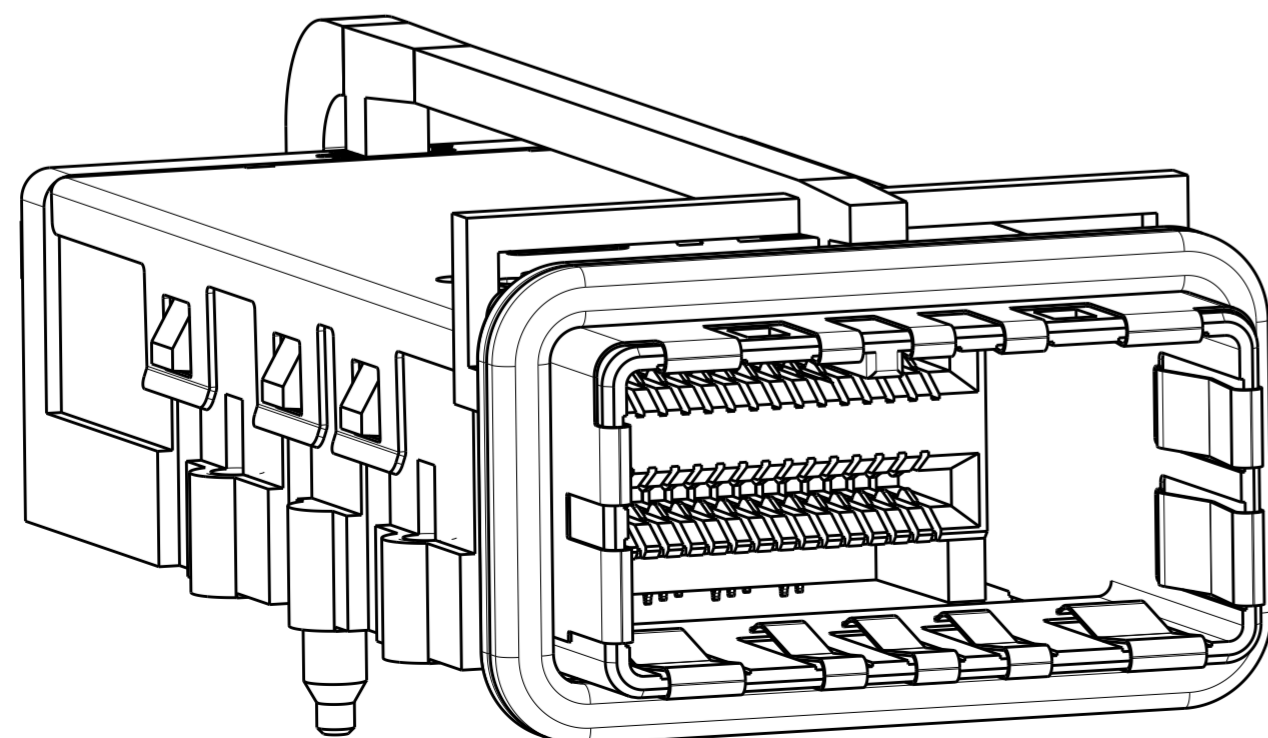


THIS DRAWING IS UNPUBLISHED. RELEASED FOR PUBLICATION 20
 © COPYRIGHT 20 BY - ALL RIGHTS RESERVED.

REVISIONS					
P	LTR	DESCRIPTION	DATE	DWN	APVD
A		RELEASED	05AUG2014	MS	SB
B		REVISED PER ECO-14-015483	13OCT2014	CJV	SLB
C		REV PER ECO-15-003246	05MAR2015	CJV	SLB
D		REVISED PER ECO-15-008425	08JUN2015	CJV	SLB



2274784-1



2274784-3

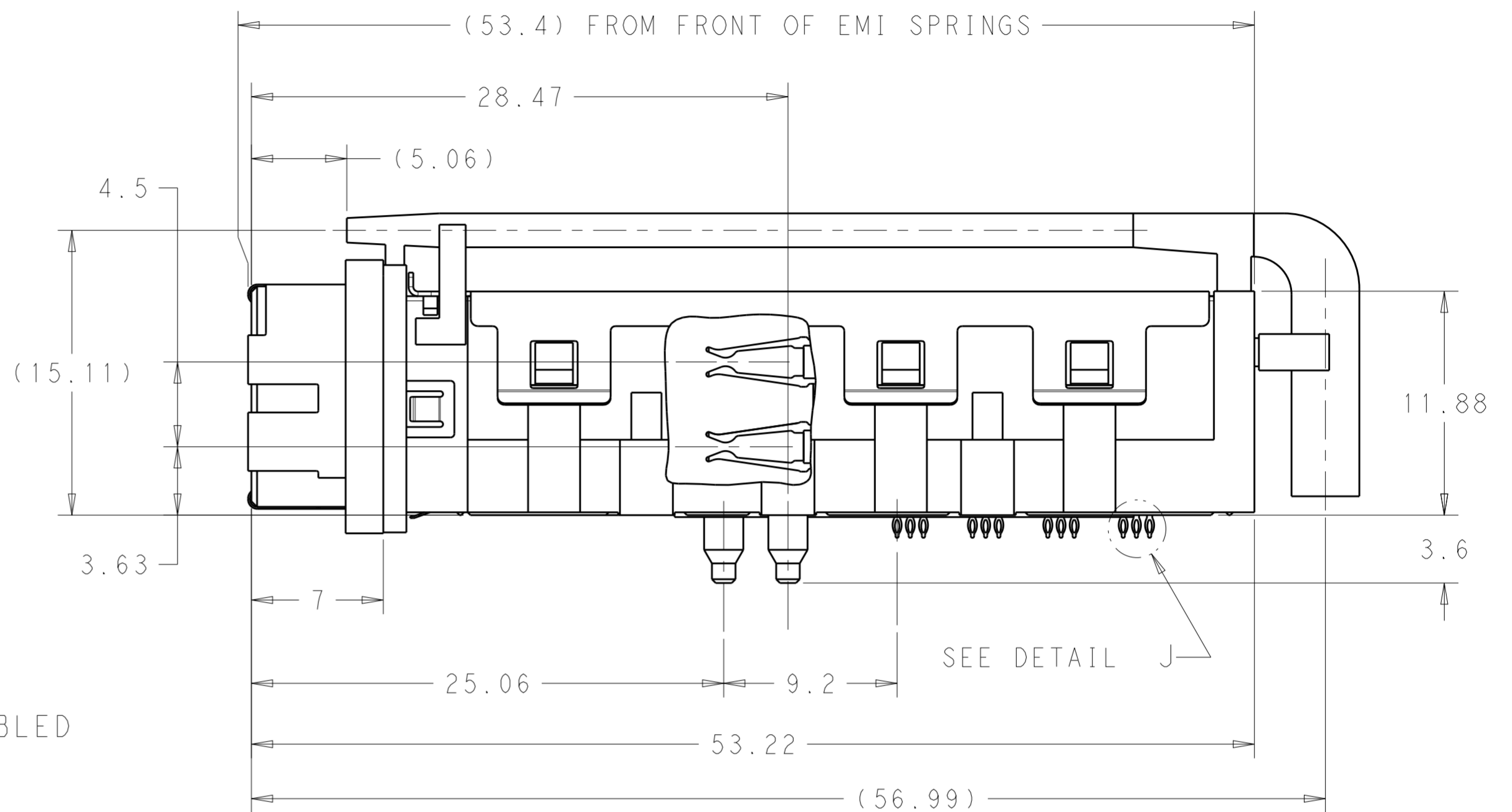
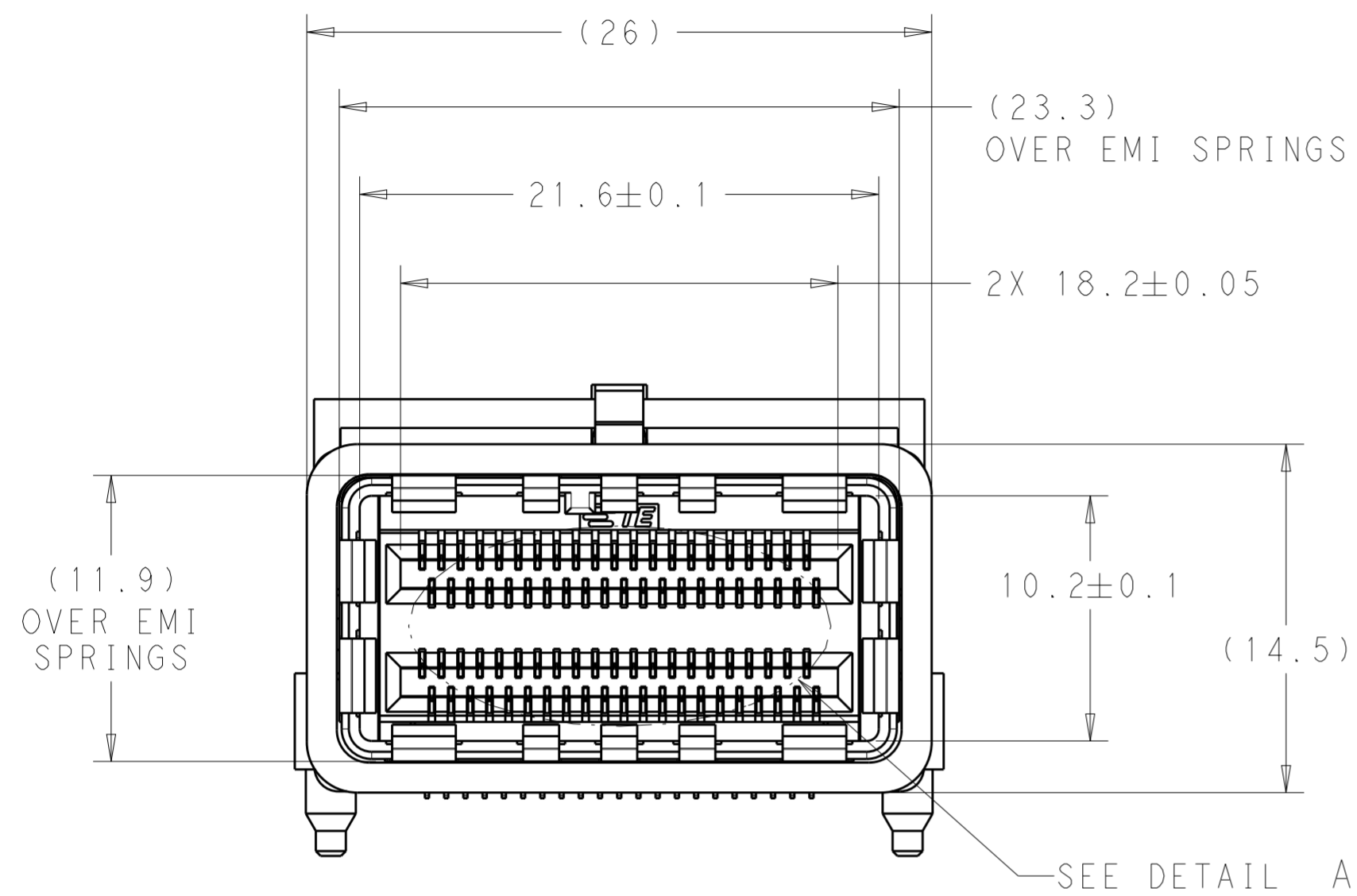
- 1 MATERIALS:
 HOUSING - ZINC ALLOY.
 EMI GASKET - SEE TABLE.
 RECEPTACLE HOUSING - LCP, BLACK, UL 94V-0 RATED.
 CHICKLET - LCP, BLACK, UL 94V-0 RATED.
 CONTACT - PHOSPHOR BRONZE.
 EMI SPRING - COPPER ALLOY.
 HOUSING COVER - STAINLESS STEEL.
 LIGHT PIPE - POLYCARBONATE, CLEAR.
- 2 FINISH:
 CONTACT - CONFORMS TO THE REQUIREMENTS OF TE
 PRODUCT SPECIFICATION 108-2426, BASED ON EIA/ECA-364-1000.01A,
 (CONTROLLED ENVIRONMENT APPLICATIONS) ON MATING INTERFACE,
 MATTE TIN PLATE OVER NICKEL UNDERPLATE ON COMPLIANT PIN.
 HOUSING - NICKEL PLATE.
- 3 PCB THICKNESS = 1.57 MIN
- 4 FOR HOLE SIZE AND FINISHES, SEE APPLICATION SPEC 114-13283
- 5 THE ENTIRE AREA OF THE CONNECTOR FOOTPRINT, INDICATED
 BY CROSSHATCHING, TO BE CONSIDERED THE KEEPOUT AREA FOR
 COMPONENTS AND SIGNAL TRACES, TOP SIDE ONLY, TOP SIDE
 TRACES ALLOWED WITHIN CONNECTOR HOLE PATTERN, CROSSHATCHING
 TO BE CONDUCTIVE.
- 6. MOUNTING HARDWARE REQUIRED:
 M2x0.4 (4)
 MOUNTING SCREW LENGTH = BOARD THICKNESS PLUS 4mm MAX
- 7 RECEPTACLE HOUSING ASSEMBLY AND LIGHT PIPE PACKAGED
 UNASSEMBLED, INDIVIDUALLY IN TRAYS.
- 8 RECEPTACLE HOUSING ASSEMBLY AND LIGHT PIPE PACKAGED
 ASSEMBLED.

SILVER PLATED COPPER IN SILICONE	8	2274784-4
	7	2274784-3
CONDUCTIVE URETHANE FOAM	8	2274784-2
	7	2274784-1
EMI GASKET	NOTES	PART NUMBER

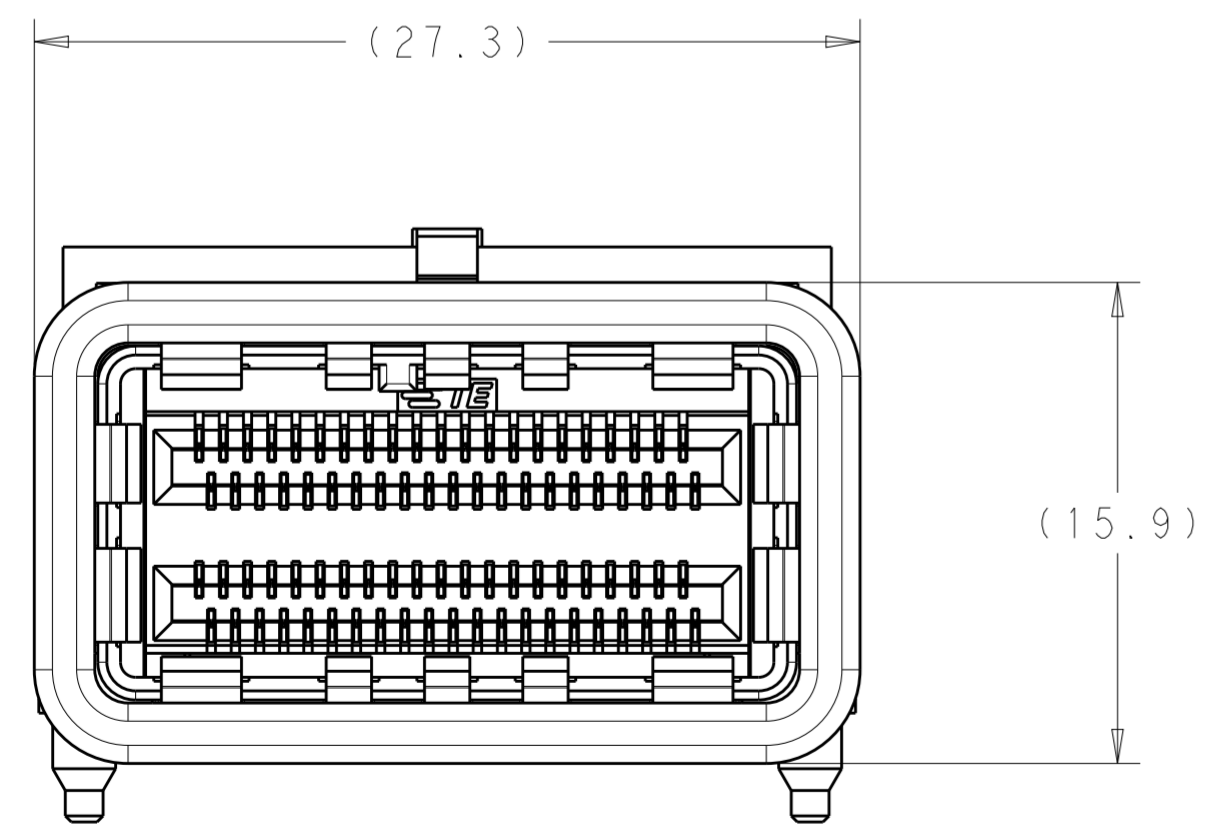
DIMENSIONS:		TOLERANCES UNLESS OTHERWISE SPECIFIED:		DWN		M. SHIRK		05AUG2014	
mm		0 PLC	±0.15	CHK	S. BOLASH	05AUG2014			
		1 PLC	±0.15	APVD	S. BOLASH	05AUG2014			
		2 PLC	±0.15	PRODUCT SPEC					
		3 PLC	±	108-2426					
		4 PLC	±	APPLICATION SPEC					
		ANGLES	±	114-13283					
		FINISH	±	WEIGHT					
				-					
MATERIAL				1		2		CUSTOMER DRAWING	
THIS DRAWING IS A CONTROLLED DOCUMENT.		APVD		S. BOLASH		05AUG2014		NAME	
								RECEPTACLE, LIGHT PIPE	
								84 POSITION, CXP	
								SIZE	
								A200779	
								DRAWING NO	
								C-2274784	
								RESTRICTED TO	
								-	
								SCALE	
								4:1	
								SHEET	
								1 OF 4	
								REV	
								D	

THIS DRAWING IS UNPUBLISHED. RELEASED FOR PUBLICATION 20
 © COPYRIGHT 20 BY - ALL RIGHTS RESERVED.

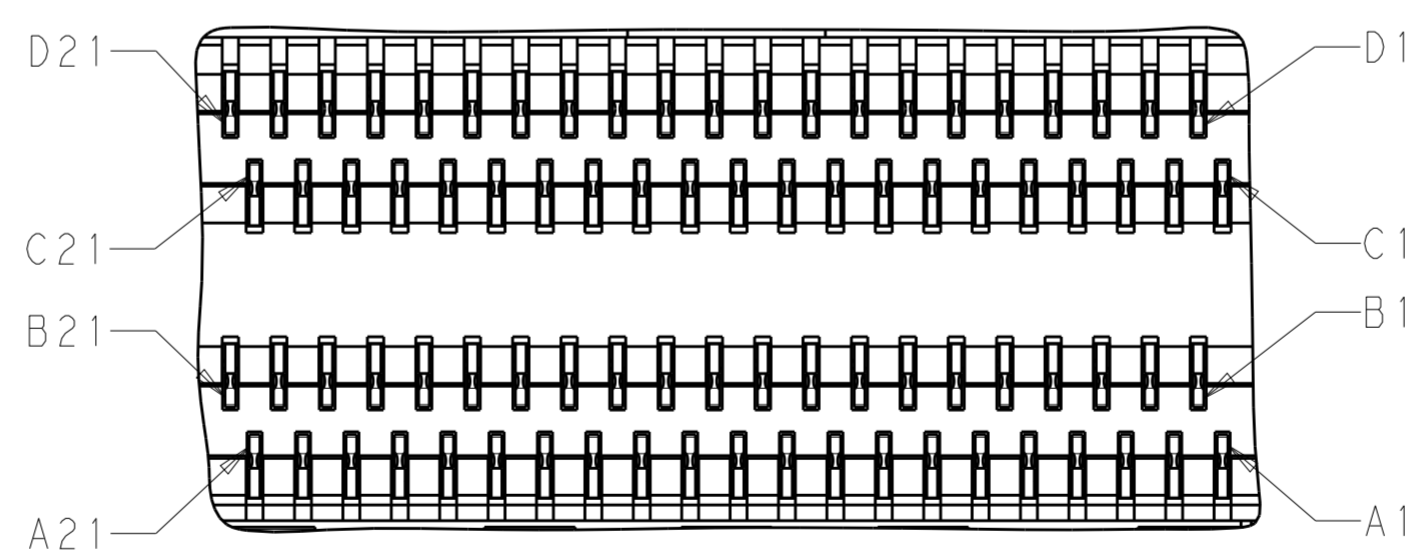
REVISIONS				
P	LTR	DESCRIPTION	DATE	APVD
-	-	SEE SHEET 1	-	-



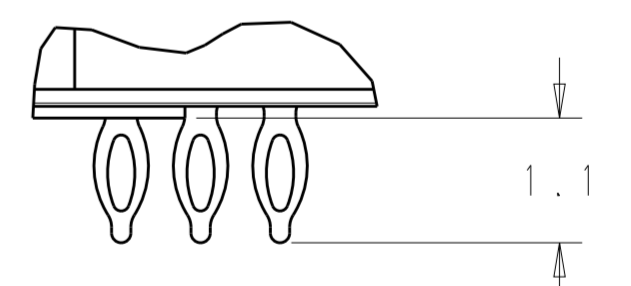
RECEPTACLE HOUSING & LIGHT PIPE ASSEMBLED
 2274784-2



2274784-4



DETAIL A
 RECOMMENDED PIN CALLOUT
 SCALE 8:1

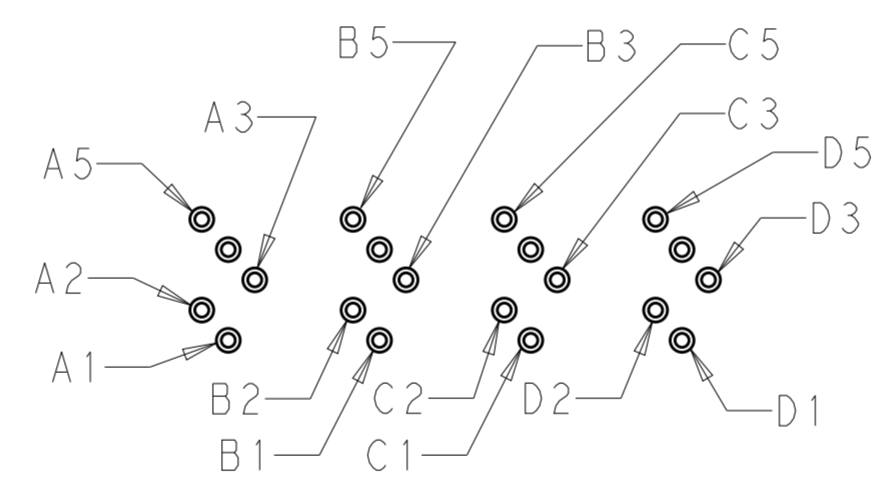
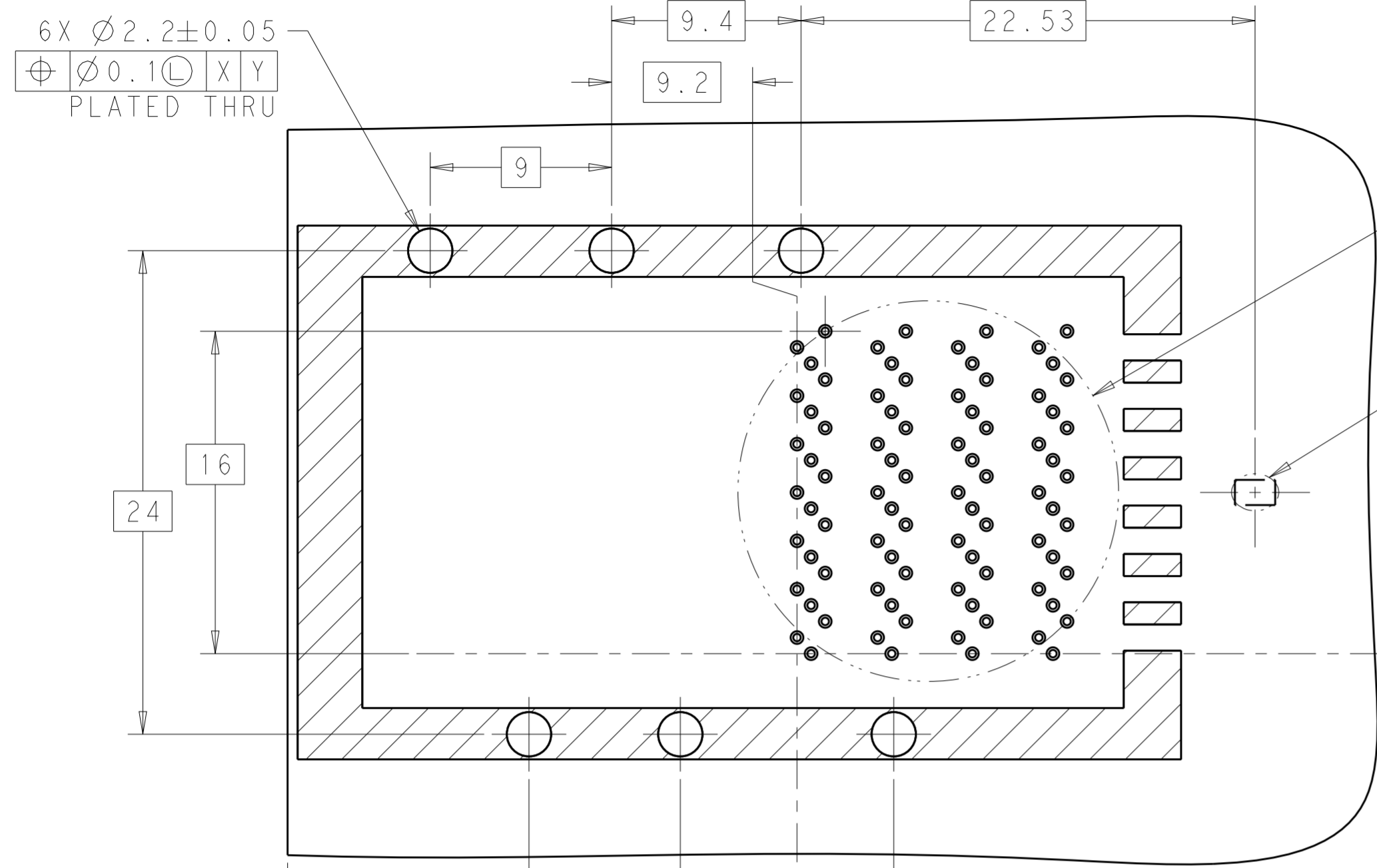


DETAIL J
 SCALE 15:1

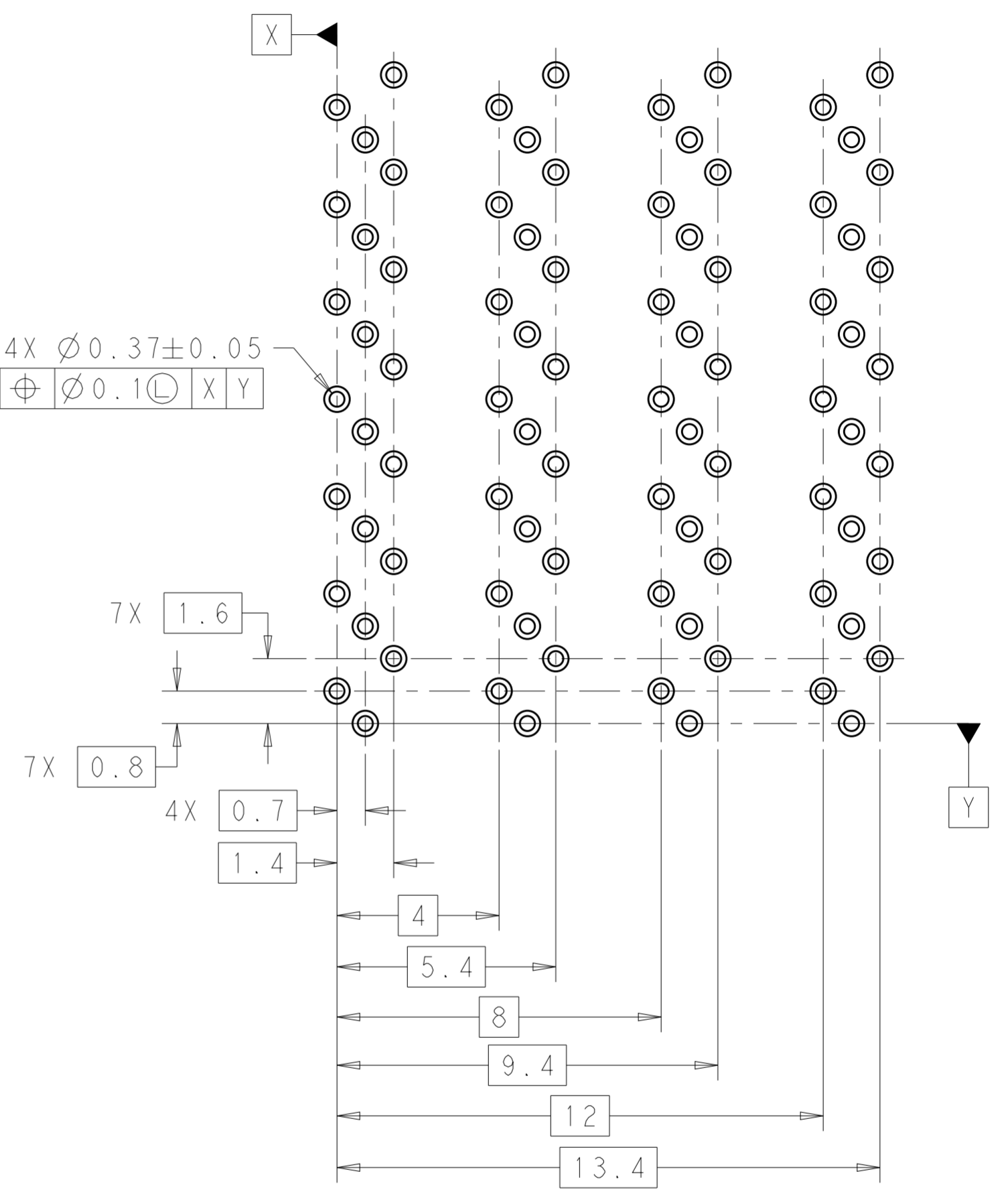
THIS DRAWING IS A CONTROLLED DOCUMENT.		DWN M. SHIRK 05AUG2014	TE Connectivity	
DIMENSIONS: mm		CHK S. BOLASH 05AUG2014		
TOLERANCES UNLESS OTHERWISE SPECIFIED:		APVD S. BOLASH 05AUG2014	NAME RECEPTACLE, LIGHT PIPE 84 POSITION, CXP	
0 PLC ±0.15		PRODUCT SPEC 108-2426	SIZE A200779	
1 PLC ±0.15		APPLICATION SPEC 114-13283	DRAWING NO C-2274784	
2 PLC ±0.15		WEIGHT -	RESTRICTED TO -	
3 PLC ±		CUSTOMER DRAWING	SCALE 4:1 SHEET 2 OF 4 REV D	
4 PLC ±				
ANGLES ±				
FINISH ±				

THIS DRAWING IS UNPUBLISHED. RELEASED FOR PUBLICATION 20
 © COPYRIGHT 20 BY - ALL RIGHTS RESERVED.

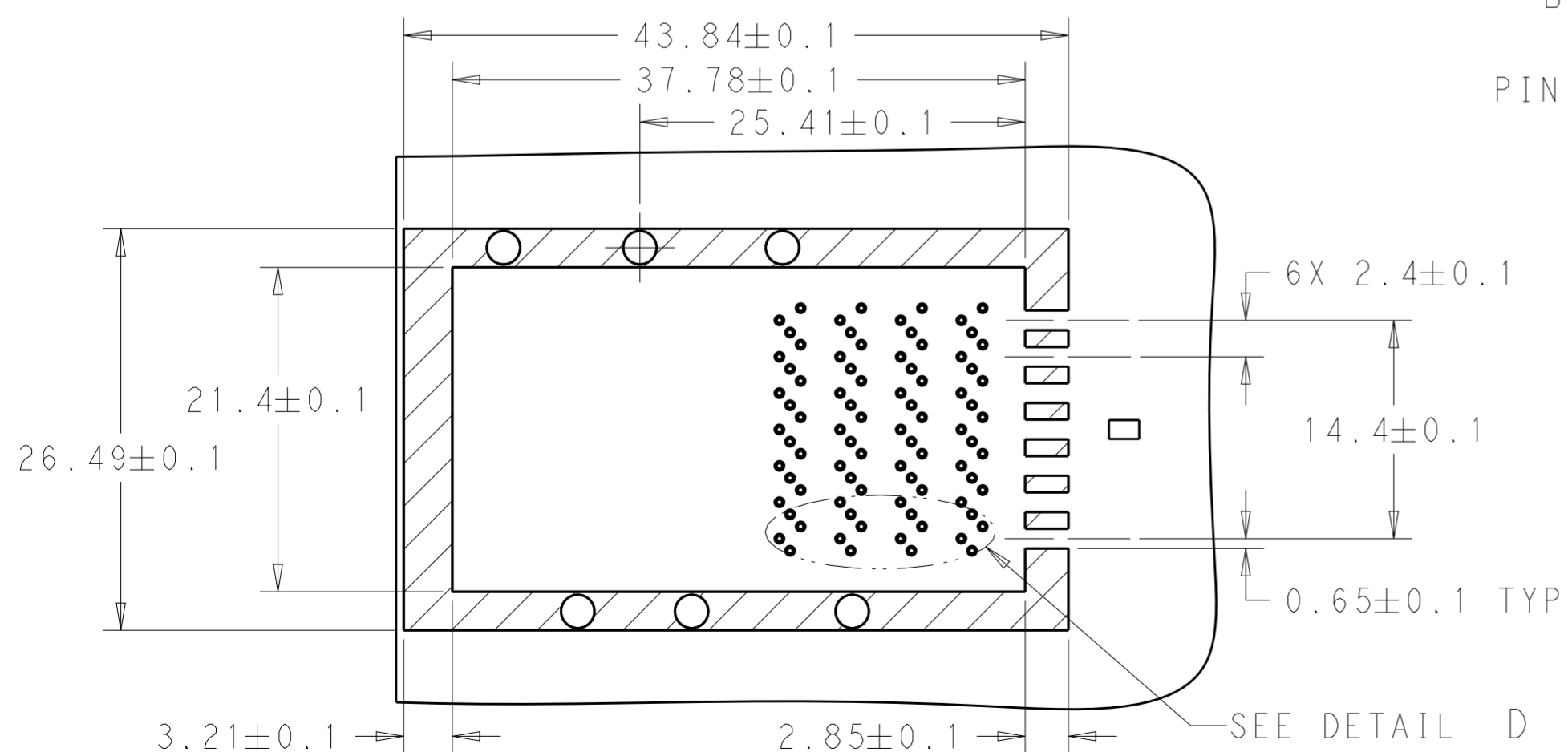
REVISIONS				
P	LTR	DESCRIPTION	DATE	APVD
-	-	SEE SHEET 1	-	-



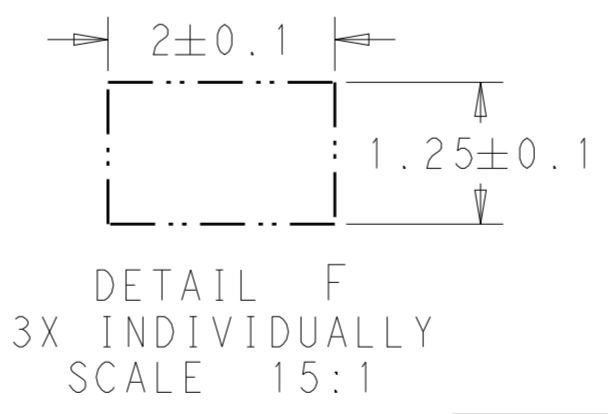
DETAIL D
PIN CALLOUT (TYPICAL)
SCALE 5:1



DETAIL C
RECOMMENDED CONNECTOR LAYOUT
SCALE 8:1



RECOMMENDED KEEPOUT AREA
SCALE 5:2

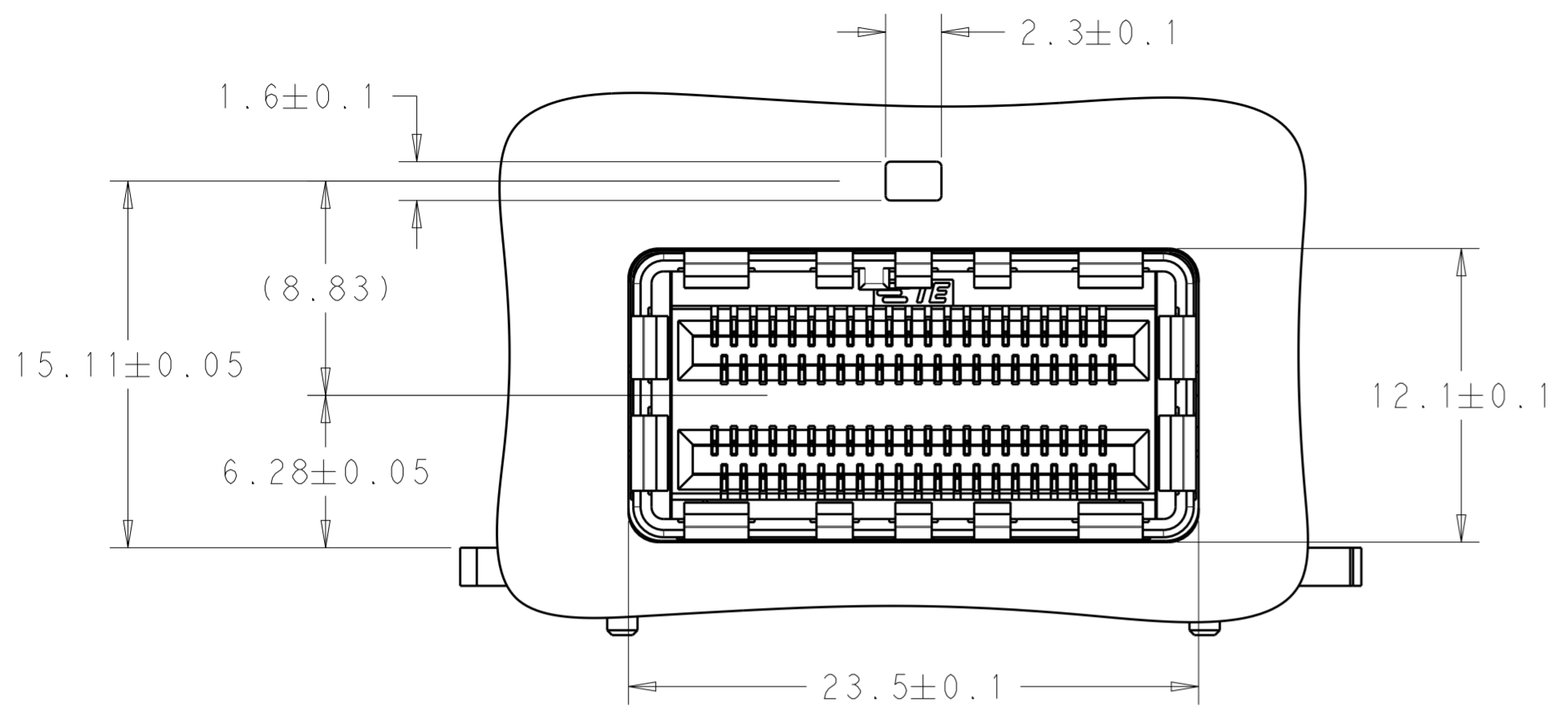


DETAIL F
3X INDIVIDUALLY
SCALE 15:1

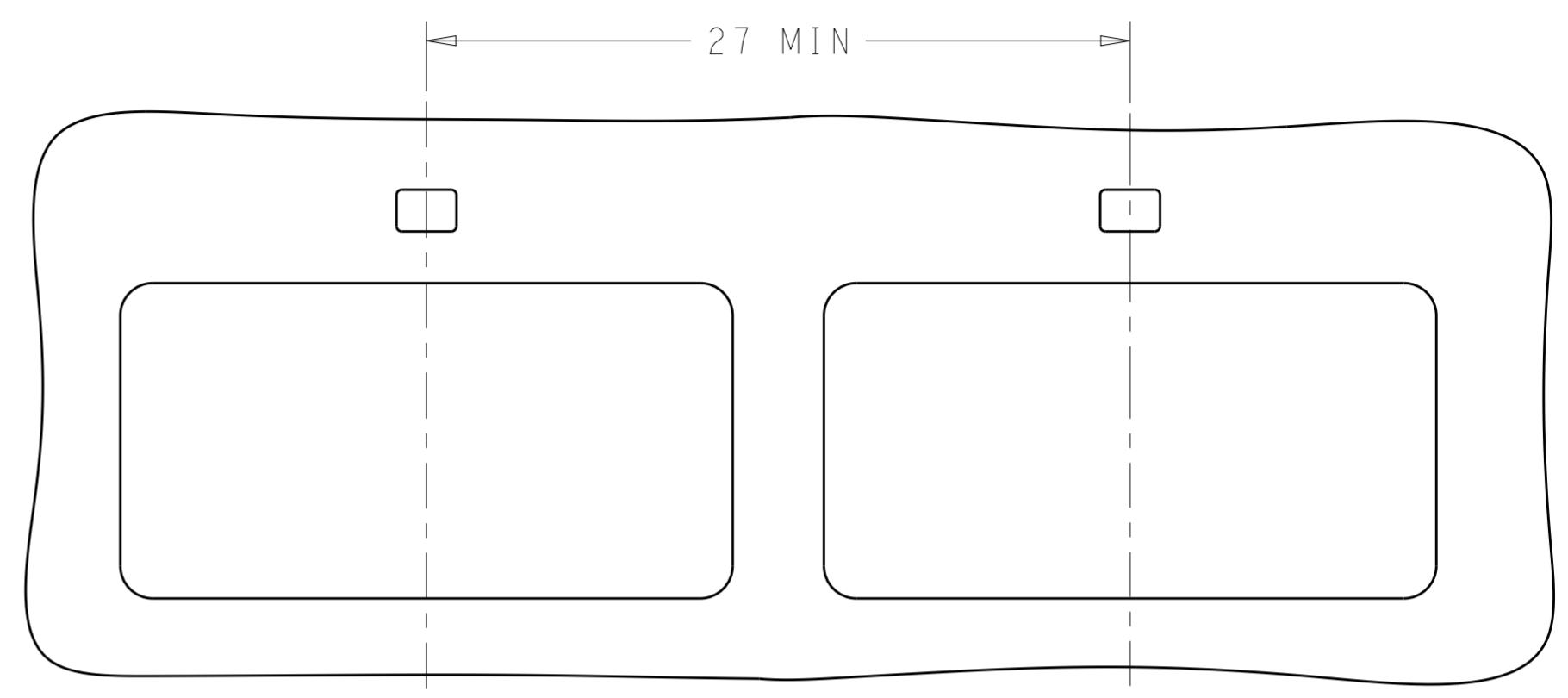
THIS DRAWING IS A CONTROLLED DOCUMENT.		DWN M. SHIRK 05AUG2014	TE Connectivity	
DIMENSIONS: mm		CHK S. BOLASH 05AUG2014		
TOLERANCES UNLESS OTHERWISE SPECIFIED:		APVD S. BOLASH 05AUG2014	NAME RECEPTACLE, LIGHT PIPE 84 POSITION, CXP	
0 PLC ±0.15		PRODUCT SPEC 108-2426	SIZE A200779	
1 PLC ±0.15		APPLICATION SPEC 114-13283	DRAWING NO C-2274784	
2 PLC ±0.15		WEIGHT -	RESTRICTED TO -	
3 PLC ±		CUSTOMER DRAWING	SCALE 4:1 SHEET 3 OF 4 REV D	
4 PLC ±				
ANGLES ±				
FINISH ±				

THIS DRAWING IS UNPUBLISHED. RELEASED FOR PUBLICATION 20
 © COPYRIGHT 20 BY - ALL RIGHTS RESERVED.

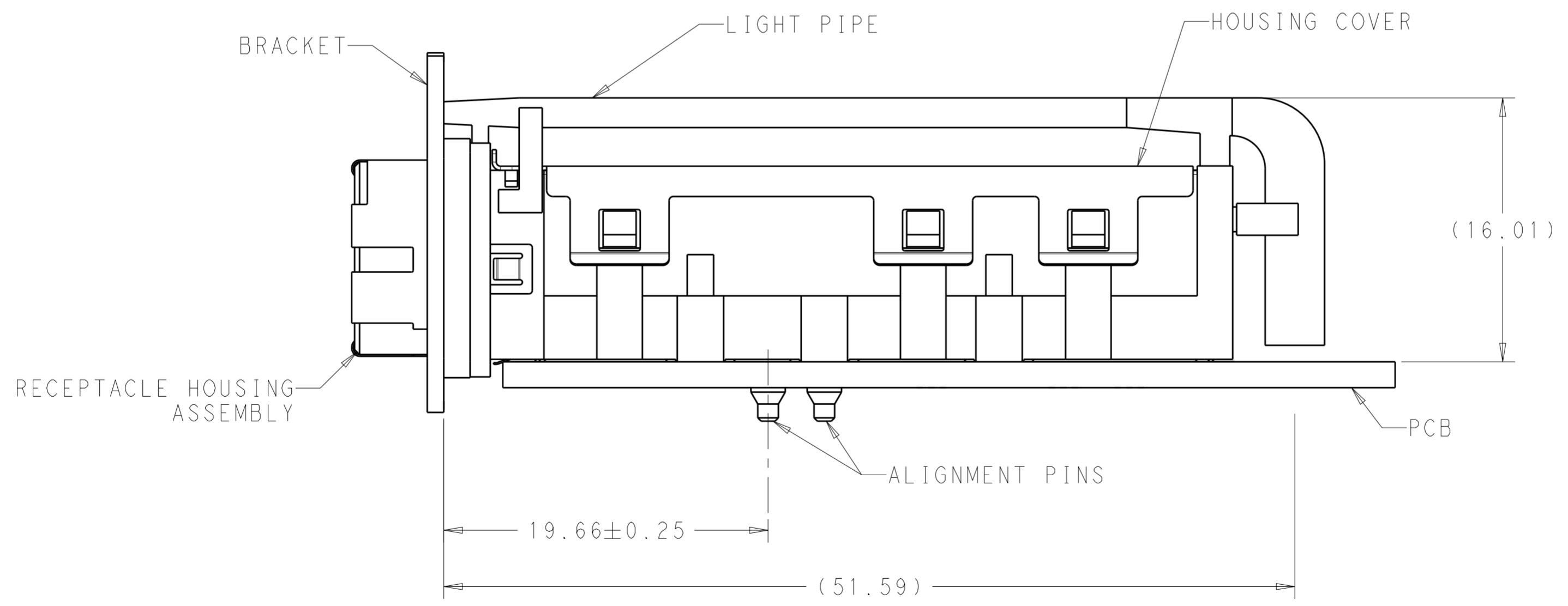
REVISIONS				
P	LTR	DESCRIPTION	DATE	APVD
-		SEE SHEET 1	-	-



RECOMMENDED BRACKET CUTOUT
 SCALE 4:1



RECOMMENDED BRACKET CUTOUT SPACING
 SCALE 4:1



RECOMMENDED BRACKET LOCATION

THIS DRAWING IS A CONTROLLED DOCUMENT.		DWN M. SHIRK 05AUG2014	 TE Connectivity
DIMENSIONS:		CHK S. BOLASH 05AUG2014	
mm		APVD S. BOLASH 05AUG2014	
		PRODUCT SPEC 108-2426	
TOLERANCES UNLESS OTHERWISE SPECIFIED:		APPLICATION SPEC 114-13283	NAME RECEPTACLE, LIGHT PIPE 84 POSITION, CXP
0 PLC ±0.15		WEIGHT -	SIZE A200779
1 PLC ±0.15		CUSTOMER DRAWING	CAGE CODE C-2274784
2 PLC ±0.15		SCALE 4:1	DRAWING NO -
3 PLC ±		SHEET 4 OF 4	RESTRICTED TO -
4 PLC ±		REV D	
ANGLES ±			
FINISH ±			