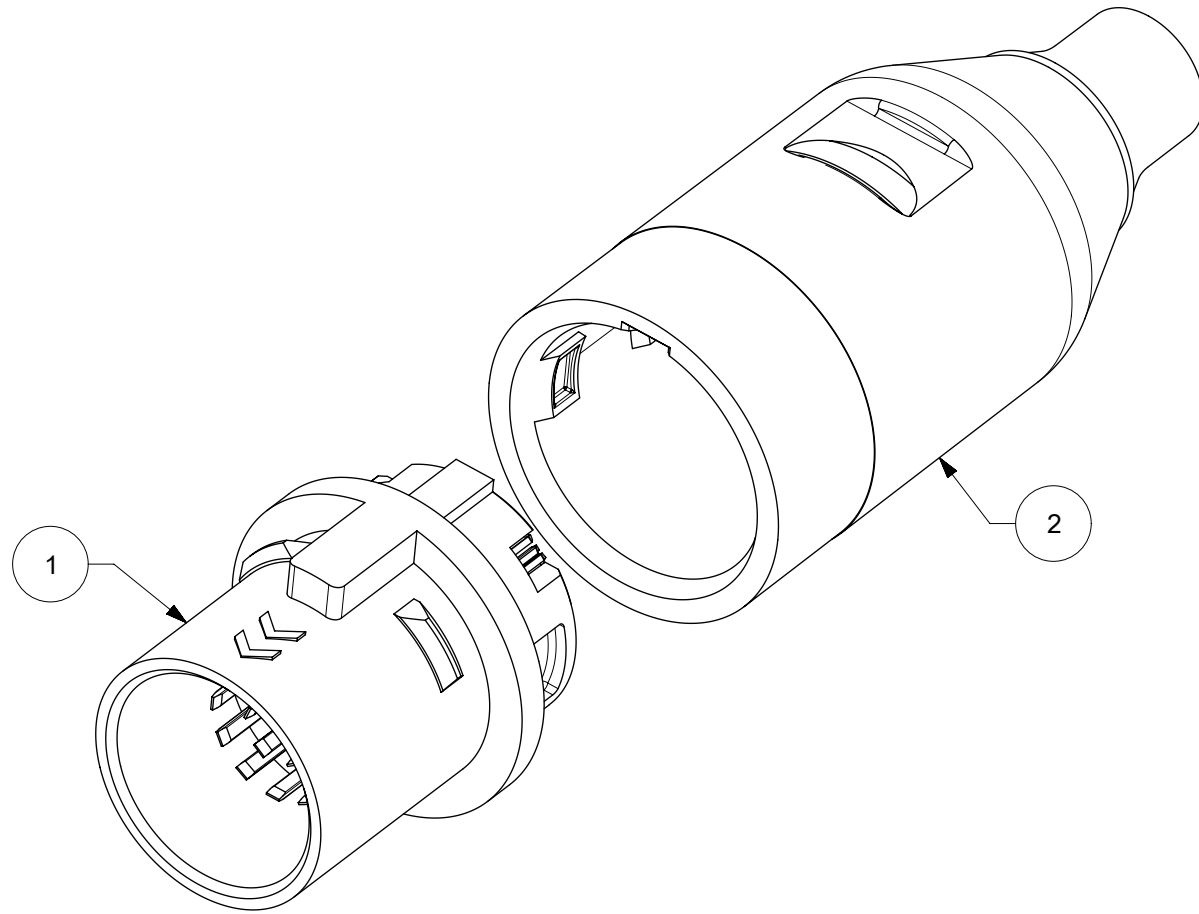


NOTES:

1. MATERIAL: MEDICAL GRADE LEXAN, COLOR BLACK
2. FINISH: NA
3. PRODUCT SPECIFICATION: 2021100000-PS
4. APPLICATION SPECIFICATION: 2021100000-AS
5. PACKAGING SPECIFICATION: PK-70873-3344
6. MATES WITH KIT NUMBERS 2021101710, 2021111710, 2024001710



ITEM	MATERIAL NUMBER	DESCRIPTION	QUANTITY PER KIT
1	1723555500	MPC D2 MALE DISPOSABLE HOUSING 17 CKT W/ PAD PRINT	10
2	1723578017	MPC D2 MALE DISPOSABLE BOOT 6.8mm MAX CABLE OD	10

SYMBOLS										THIS DRAWING CONTAINS INFORMATION THAT IS PROPRIETARY TO MOLEX ELECTRONIC TECHNOLOGIES, LLC AND SHOULD NOT BE USED WITHOUT WRITTEN PERMISSION																	
DIMENSION UNITS		SCALE		CURRENT REV DESC: 2021131730 WAS 1710																							
mm		2:1		EC NO: 607220 DRWN: KSAMIEC 2018/11/06 CHK'D: DSTEIER 2018/11/09 APPR: FSMITH 2018/11/12 INITIAL REVISION: DRWN: JJONIAK 2017/03/15 APPR: BPISZCZOR 2017/03/17																							
GENERAL TOLERANCES (UNLESS SPECIFIED)																											
ANGULAR TOL		± °																									
4 PLACES		±																									
3 PLACES		±																									
2 PLACES		±		PRODUCT CUSTOMER DRAWING DOCUMENT NUMBER: 2021131730-SD DOC TYPE: PSD DOC PART: 000 REVISION: A1																							
1 PLACE		±																									
0 PLACES		±		MATERIAL NUMBER		CUSTOMER		SHEET NUMBER																			
DRAFT WHERE APPLICABLE MUST REMAIN WITHIN DIMENSIONS		THIRD ANGLE PROJECTION		DRAWING		SERIES		202113		2021131730		GENERAL MARKET		1 OF 1													