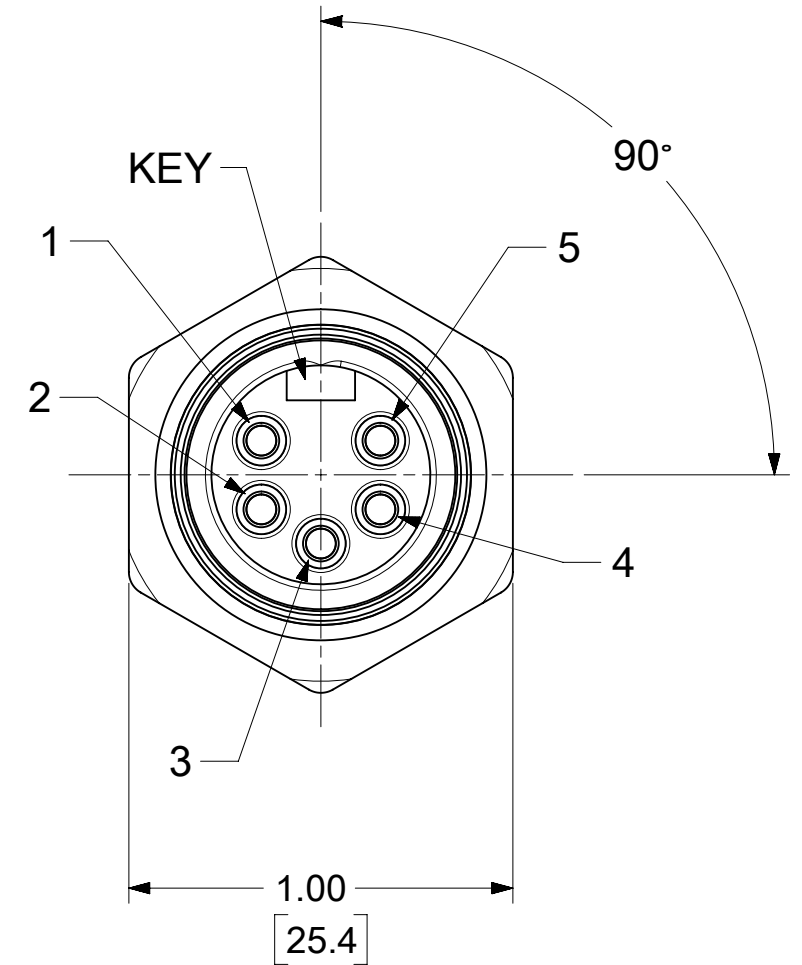
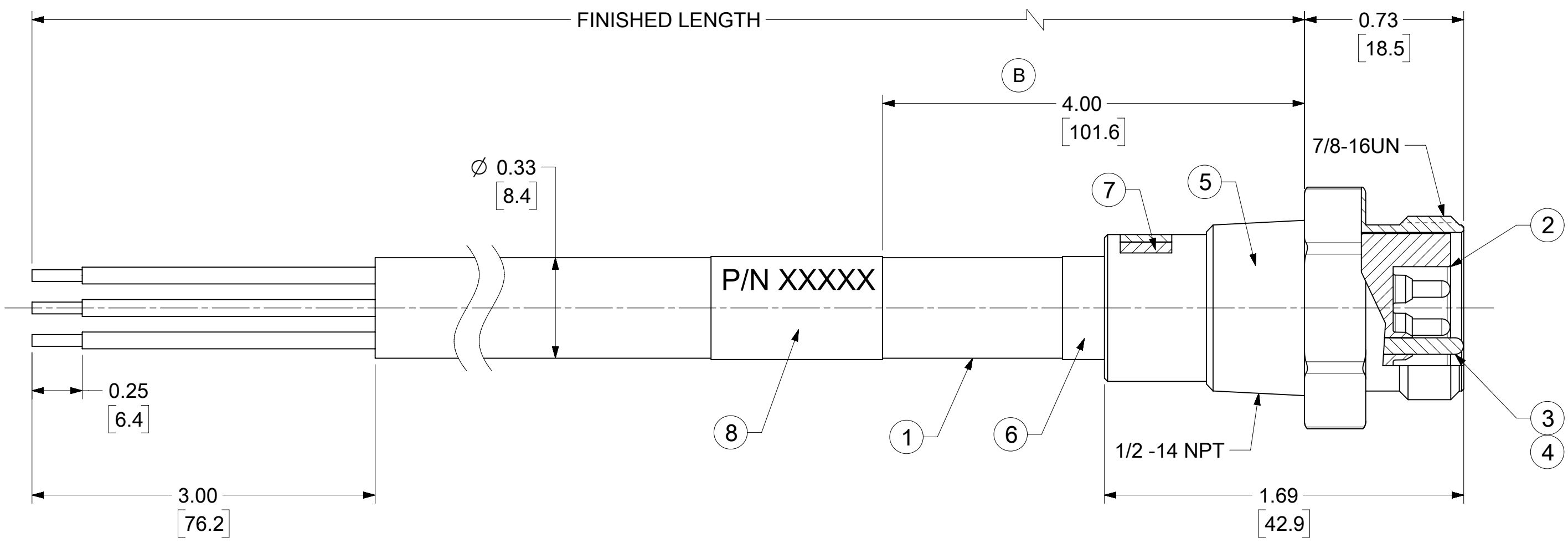
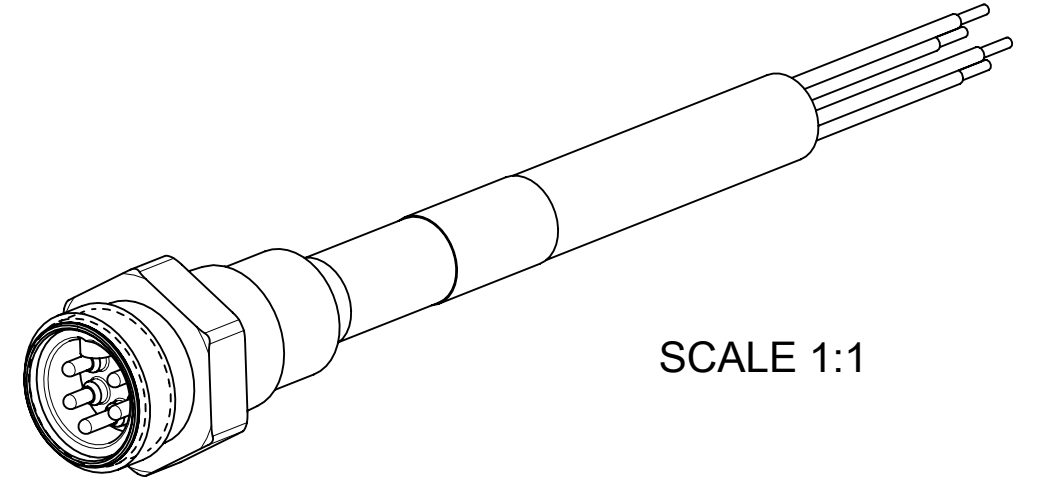


MATERIAL NO.	ENGINEERING NO.	FINISHED LENGTH
1300390317	DNB5100-M005	0.5 M (1 FT 7.69 IN)
1300390318	DNB5100-M010	1 M (3 FT 3.37 IN)

**CABLE LENGTH TOLERANCES**  
 <.3M [1FT]: +19mm-0 [ +.75in-0]  
 .3 - .9M [1 - 3FT]: +44.5mm-0 [+1.75in-0]  
 .9 - 1.8M [3 - 6FT]: +55.6mm-0 [+2.19in-0]  
 1.8 - 3.7M [6 - 12FT]: +88.9mm-0 [+3.50in-0]  
 3.7 - 7.3M [12 - 24FT]: +165.1mm-0 [+6.50in-0]  
 7.3-14.6M [24 - 48FT]: +317.5mm-0 [+12.50in-0]  
 14.6 - 30.5M [48-100FT]: +622.3mm-0 [+24.50in-0]  
 OVER 30M [100FT] +2% OF FINISHED LENGTH



- NOTES:**
- MATERIAL: AS NOTED
  - FINISH: AS NOTED
  - ELECTRICAL:  
 VOLTAGE: 300V PER IEC60664  
 300V PER UL2238  
 CURRENT: 4A
  - TEMP RATING: -20°C TO +80°C
  - PROTECTION: IP67 (WHEN MATED)
  - UL LISTED FILE: E152210  
 CSA CERTIFIED FILE: LR6837
  - ALL DIMS ARE FOR REFERENCE UNLESS TOLERANCED OR NOTED OTHERWISE

**WIRING DIAGRAM**

P1	
1	DRAIN
2	RED +V
3	BLACK -V
4	WHITE CAN H
5	BLUE CAN L

**PART NUMBER LEGEND**

**DNB5100-M010**

FINISHED LENGTH  
 M005= 0.5 M  
 M010= 1 M  
 M100= 10M

ITEM	DESCRIPTION	MATERIAL	FINISH
8	WRAP LABEL	VINYL	BLACK/YELLOW
7	POTTING MATERIAL	EPOXY	BLACK
6	HEAT SHRINK TUBING	POLYOLEFIN	BLACK
5	RECEPTACLE SHELL	ZINC DIE-CAST	NICKEL PLATE
4	PIN CONTACT 18AWG	Cu ALLOY	GOLD OVER NICKEL
3	PIN CONTACT 16AWG	Cu ALLOY	GOLD OVER NICKEL
2	MALE INSERT	TPE	BLACK
1	CABLE, DEV-NET, 16/20 AWG	PVC JACKET	GRAY

THIS DRAWING CONTAINS INFORMATION THAT IS PROPRIETARY TO MOLEX ELECTRONIC TECHNOLOGIES, LLC AND SHOULD NOT BE USED WITHOUT WRITTEN PERMISSION																			
FUNCTIONAL SYMBOLS	FA = 0	DIMENSION UNITS	SCALE	CURRENT REV DESC: UPDATED ITEM #2.5, LABEL DIM. AND MATERIAL P/N TABLE, ADDED CSA, IEC/UL VOLT, TEMP RATING, IP RATING, TOL. CHART AND PART NUMBER LEGEND															
	FC = 0	INCH/MM	2:1																
DIVISIONAL SYMBOLS	FP = 0	GENERAL TOLERANCES (UNLESS SPECIFIED)		EC NO: 711366															
		4 PLACES	MM	INCH	DRWN: AKABADI 2021/10/19														
		3 PLACES	±	±	CHK'D: RSTONE 2022/06/21														
		2 PLACES	±	±	APPR: BWOODMAN 2022/06/24														
		1 PLACE	±	±	INITIAL REVISION:														
DRAFT WHERE APPLICABLE MUST REMAIN WITHIN DIMENSIONS				THIRD ANGLE PROJECTION				DRAWING		SERIES		DOCUMENT NUMBER		DOC TYPE		DOC PART		REVISION	
				C-SIZE				130039		SD-130039-004		PSD		001		B			
				SEE TABLE				GENERAL MARKET		1 OF 1									