

MATERIALS AND FINISHES

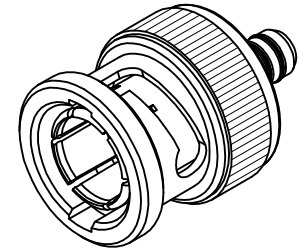
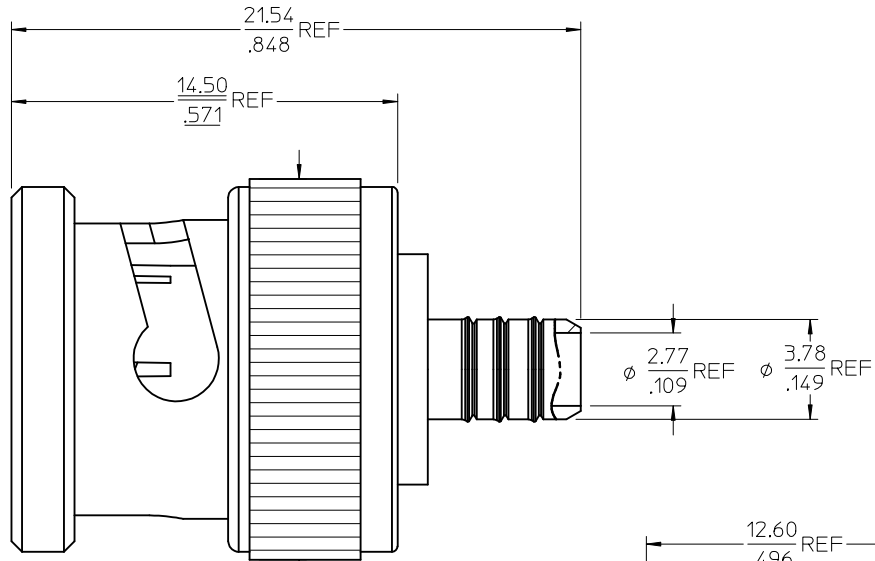
BODY BRASS
PLATED NICKEL (70 MICROINCHES MIN)

CENTER CONTACT BRASS
PLATED GOLD (30 MICROINCHES MIN)

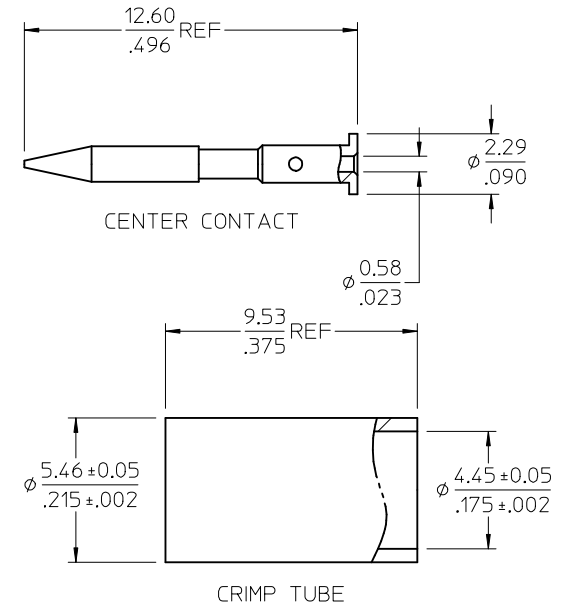
INSULATOR TEFLON

COUPLING NUT: ZINC
PLATED: NICKEL (70 MICROINCHES MIN)

CRIMP TUBE: BRASS
PLATED: NICKEL (100 MICROINCHES MIN)

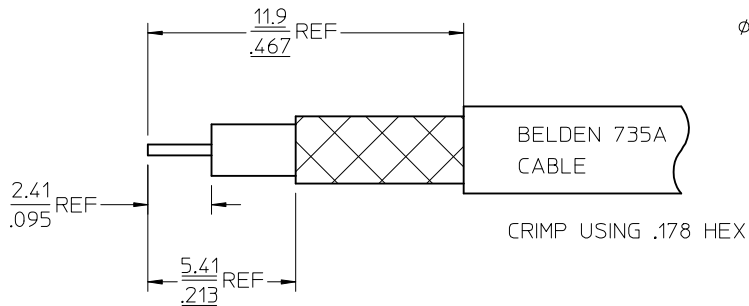


BNC ASSEMBLY



CENTER CONTACT

CRIMP TUBE



CRIMP USING .178 HEX

PART # 73171-1190

SAME AS 73171-1310
WITHOUT SLEEVE

AS-89678-7900	CABLE ASSEMBLY INSTR.
MIL-STD-348A, FIG. 301.1	INTERFACE
SPECIFICATION	DESCRIPTION

CHG: UPDATED BORDER EC NO: URF2007-0195 DRWN: TELAHERY 2006/11/06 CHKD: SSHAH 2006/11/06 APPR: IWENER 2006/11/06	QUALITY SYMBOLS ▽=0 ▽=0	GENERAL TOLERANCES (UNLESS SPECIFIED)		DIMENSION STYLE MM/IN		SCALE	DESIGN UNITS METRIC	THIRD ANGLE PROJECTION																	
		<table border="1"> <tr> <th></th> <th>mm</th> <th>INCH</th> </tr> <tr> <td>4 PLACES</td> <td>± .005</td> <td>± .0005</td> </tr> <tr> <td>3 PLACES</td> <td>± .005</td> <td>± .0005</td> </tr> <tr> <td>2 PLACES</td> <td>± .005</td> <td>± .0005</td> </tr> <tr> <td>1 PLACE</td> <td>± .005</td> <td>± .0005</td> </tr> </table>			mm	INCH	4 PLACES	± .005	± .0005	3 PLACES	± .005	± .0005	2 PLACES	± .005	± .0005	1 PLACE	± .005	± .0005	DRAWN BY DATE TEF 2001/06/29 CHECKED BY DATE SSS 2001/06/29 APPROVED BY DATE GMH 2001/06/29		TITLE	BNC PLUG, STRIAIGHT, 75 OHM FOR 735A CABLE BNC-PC			
			mm	INCH																					
		4 PLACES	± .005	± .0005																					
3 PLACES	± .005	± .0005																							
2 PLACES	± .005	± .0005																							
1 PLACE	± .005	± .0005																							
DRAFT WHERE APPLICABLE MUST REMAIN WITHIN DIMENSIONS		MATERIAL NO. 731711190		MOLEX INCORPORATED DOCUMENT NO. SD-73171-119		SHEET NO. 1 OF 1																			
THIS DRAWING CONTAINS INFORMATION THAT IS PROPRIETARY TO MOLEX INCORPORATED AND SHOULD NOT BE USED WITHOUT WRITTEN PERMISSION																									