

NOTES:

- MATERIALS AND FINISHES:
 BODIES, COUPLING NUT, WASHERS, CAP & NUT - BRASS, NICKEL PLATING (0.000100/0.000250) THICK
 CLAMP NUTS - BRASS, SILVER PLATING
 CONTACT & OUTER CONTACT- BRASS, GOLD PLATING (0.00005/0.0001 THICK) OVER NICKEL
 CONTACTS - BeCu, GOLD PLATING (0.00005/0.0001 THICK) OVER NICKEL
 GASKETS - SILICONE RUBBER, RED
 INSULATORS - PTFE, NATURAL
 SPRING - BeCu, NICKEL PLATING (0.000100/0.000250) THICK
 FERRULE - COPPER, NICKEL PLATING (0.000100/0.000250) THICK
 SHRINK TUBE - POLYOLEFIN, WHITE

- ELECTRICAL:
 A. IMPEDANCE: NON-CONSTANT CAN BE USED WITH 50, 75 AND 93 OHM TRIAXIAL CABLES
 B. FREQUENCY RANGE: DC - 500 MHZ

- ENVIRONMENTAL:
 A. TEMPERATURE RANGE: -65°C TO +165°C

4. FOR ASSEMBLY AND STRIPPING INSTRUCTIONS SEE 9-9950-433

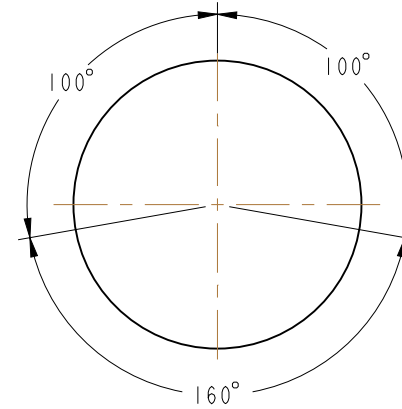
5. FERRULE TO BE CRIMPED WITH A 0.178 [4.52] HEX DIE CONTACT TO BE SOLDERED.

6 SHOWS CABLE ENTRY DIMENSIONS

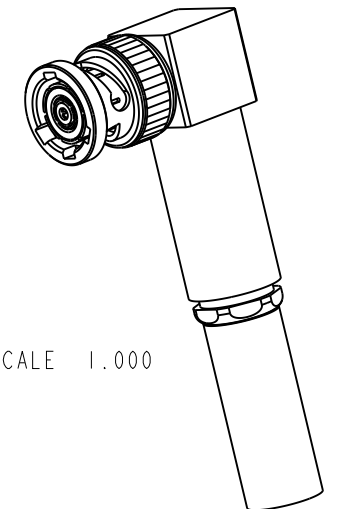
THIRD ANGLE PROJ.

REVISIONS

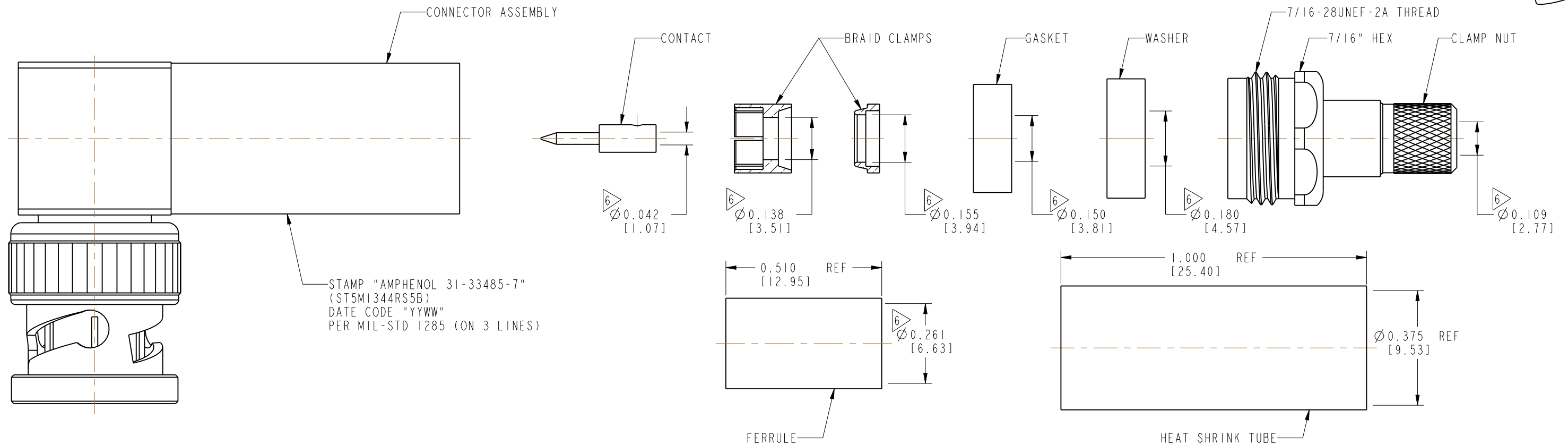
REV	DESCRIPTION	DATE	ECO	APPR
--	RELEASE TO MFG.	--	--	--
Y	REDRAWN IN PRO-E; ADDED PARENTHESIS TO STAMP	13-Sep-11	48728	MJS
AA	UPDATED FORMAT & ADDED DUAL DIMENSIONS	13-Mar-17	3202	AG



POLARITY



SCALE 1.000



CUSTOMER OUTLINE DRAWING

ALL OTHER SHEETS ARE FOR INTERNAL USE ONLY

UNLESS OTHERWISE SPECIFIED, DIMENSIONS ARE IN INCHES AND TOLERANCES ARE: 2 PLACE DECIMAL 3 PLACE DECIMAL ANGLES ±.015 (0.381 mm) ±.005 (0.127 mm) ± 1° NOTICE - These drawings, specifications, or other data (1) are, and remain the property of Amphenol corp. (2) must be returned upon request; and (3) are confidential and not to be disclosed to any person other than those to whom they are given by Amphenol Corp. the furnishing of these drawings, specifications, or other data by Amphenol Corp., or to any other person to anyone for any purpose is not to be regarded by implication or otherwise in any manner licensing, granting rights to permitting such holder or any other person to manufacture, use or sell any product, process or design, patented or otherwise, that may in any way be related to or disclosed by said drawings, specifications, or other data.	MATERIAL	DRAWN	DATE	TITLE		Amphenol RF www.amphenolrf.com	
	SEE NOTES	M. SANCA	13-Sep-11				
	REFERENCE	APPROVED	DATE	SCALE: 3.0:1.0 SHEET 2 OF 2		DRAWING NO. 31-33485-7	
	McDONNELL-DOUGLAS SPEC. ST5MI344RS5B	K. CAPOZZI	13-Mar-17	DWG SIZE B REV AA		ITEM NO. 31-33485-7	
CONFIGURATION LEVEL: In Work	CAD FILE					PART NO. 31-33485-7	
FINISH							