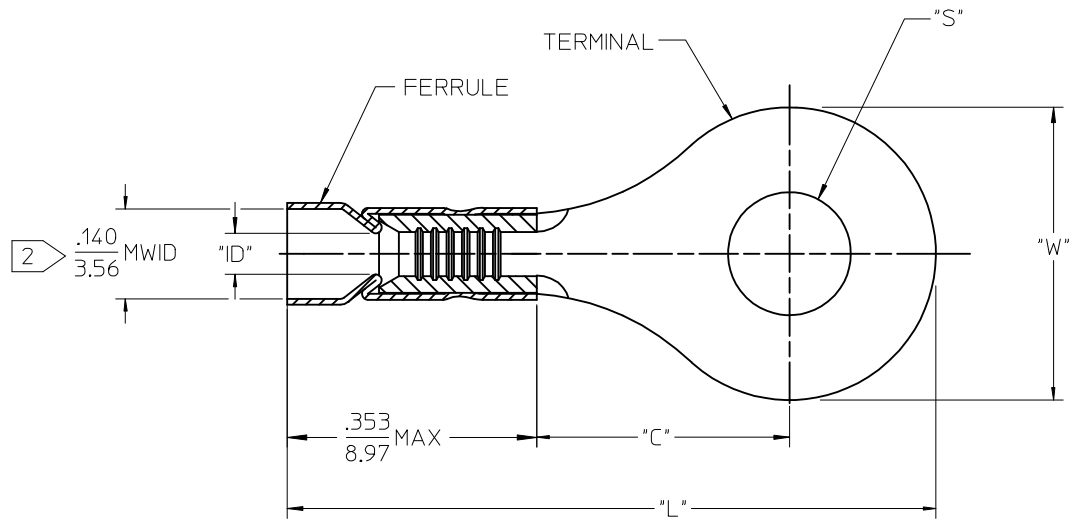


MATERIAL NUMBER	ENGINEERING NUMBER	STUD SIZE	"S" ±.005/±0.13	STOCK THICKNESS REF	"W" ±.010/0.25	"C" MIN	"L" MAX	"ID" MIN
190720006	AA-420-02	02	.094/2.39	.028/0.71	.225/5.72	.157/3.99	.657/16.69	.062/1.57
190720008	AA-420-04	04	.119/3.02					
190720010	AA-420-06	06	.146/3.71					
190720012	AA-421-06							
190720014	AA-421-08	08	.173/4.39		.312/7.93	.270/6.86	.814/20.68	.062/1.57
190720016	AA-421-10	10	.198/5.03					
190720018	AA-421-209	209	.209/5.30					
190720025	AA-426-10	10	.198/5.03	.031/0.79	.534/13.56	.552/14.02	1.207/30.60	.054/1.37
190720026	AA-426-14	14	.265/6.73					
190720030	AA-426-56	56	.328/8.33					
190720028	AA-426-38	38	.390/9.91					

(B1)



NOTES:  
 1. MATERIAL: TERMINAL: COPPER  
 FUNNEL FERRULE: BRASS  
 PLATING: ELECTRO TIN.

2. MWID = MAXIMUM WIRE INSULATION.

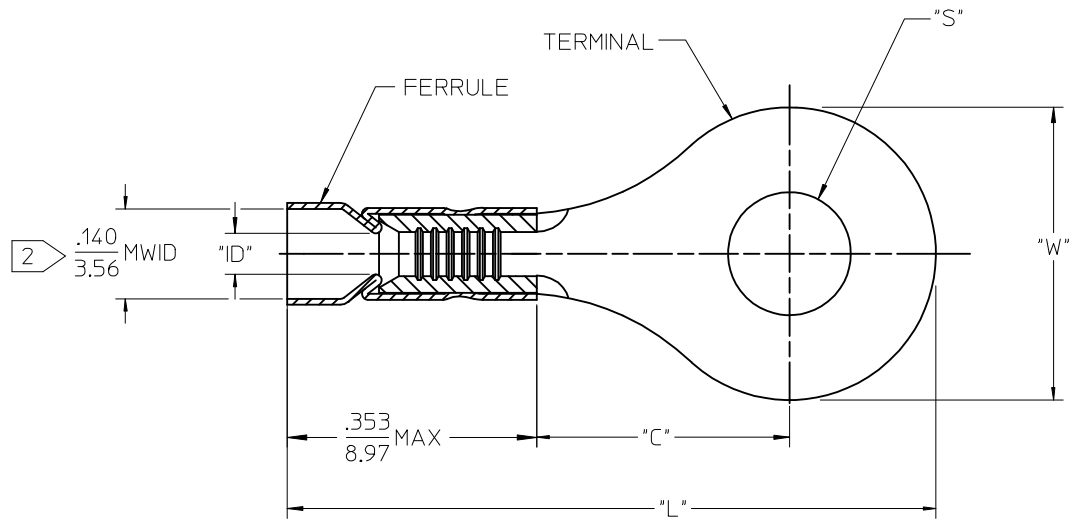
3. PARTS ARE ROHS COMPLIANT.

SALES DRAWING

DELETE MILITARY NUMBERS EC NO: IPG2017-0896 DRWN: GRO/JAS01 2017/02/15 CHKD: JMACEIL 2017/02/15 APPR: JMACEIL 2017/03/30	QUALITY SYMBOLS	GENERAL TOLERANCES (UNLESS SPECIFIED)	SCALE 1:1	DESIGN UNITS INCH	THIRD ANGLE PROJECTION	REVISE ON CAD ONLY
	DESCRIPTION B1	4 PLACES ± --- ± --- 3 PLACES ± --- ± --- 2 PLACES ± --- ± --- 1 PLACE ± --- ± --- ANGULAR ±1/2°	DIMENSION STYLE IN/MM		RING TONGUE TERMINAL VIBRAKRIMP 22-18 AWG	
			DRAWN BY DATE			
			DRAFT WHERE APPLICABLE MUST REMAIN WITHIN DIMENSIONS		CHECKED BY DATE	
APPROVED BY DATE		MATERIAL NO. DOCUMENT NO. SHEET NO.				
		R DEROSS 2004/08/18		1 OF 1		
THIS DRAWING CONTAINS INFORMATION THAT IS PROPRIETARY TO MOLEX INCORPORATED AND SHOULD NOT BE USED WITHOUT WRITTEN PERMISSION						

MATERIAL NUMBER	ENGINEERING NUMBER	STUD SIZE	"S" ±.005/±0.13	STOCK THICKNESS REF	"W" ±.010/0.25	"C" MIN	"L" MAX	"ID" MIN
190720006	AA-420-02	02	.094/2.39	.028/0.71	.225/5.72	.157/3.99	.657/16.69	.062/1.57
190720008	AA-420-04	04	.119/3.02					
190720010	AA-420-06	06	.146/3.71					
190720012	AA-421-06							
190720014	AA-421-08	08	.173/4.39		.312/7.93	.270/6.86	.814/20.68	.062/1.57
190720016	AA-421-10	10	.198/5.03					
190720018	AA-421-209	209	.209/5.30					
190720025	AA-426-10	10	.198/5.03	.031/0.79	.534/13.56	.552/14.02	1.207/30.60	.054/1.37
190720026	AA-426-14	14	.265/6.73					
190720030	AA-426-56	56	.328/8.33					
190720028	AA-426-38	38	.390/9.91					

(B1)



NOTES:

- MATERIAL: TERMINAL: COPPER  
FUNNEL FERRULE: BRASS  
PLATING: ELECTRO TIN.

② MWID = MAXIMUM WIRE INSULATION.

- PARTS ARE ROHS COMPLIANT.

SALES DRAWING

DELETE MILITARY NUMBERS EC NO: IPG2017-0896 DRWN: GRO/JAS01 2017/02/15 CHKD: JMACEIL 2017/02/15 APPR: JMACEIL 2017/03/30	QUALITY SYMBOLS	GENERAL TOLERANCES (UNLESS SPECIFIED)	SCALE 1:1	DESIGN UNITS INCH	THIRD ANGLE PROJECTION	REVISE ON CAD ONLY
	DESCRIPTION ▼ = 0 ∇ = 0	mm	INCH	DIMENSION STYLE		TITLE RING TONGUE TERMINAL VIBRAKRIMP 22-18 AWG
		4 PLACES ± --- ± ---	3 PLACES ± --- ± ---	IN/MM		
	REV B1	2 PLACES ± --- ± ---	1 PLACE ± --- ± ---	DRAWN BY BENDERLE	DATE 2004/08/18	MATERIAL NO. SEE CHART
ANGULAR ±1/2°		CHECKED BY R DEROSS	DATE 2004/08/18	DOCUMENT NO. SD-19072-001	SHEET NO. 1 OF 1	
DRAFT WHERE APPLICABLE MUST REMAIN WITHIN DIMENSIONS		APPROVED BY R DEROSS		DATE 2004/08/18	THIS DRAWING CONTAINS INFORMATION THAT IS PROPRIETARY TO MOLEX INCORPORATED AND SHOULD NOT BE USED WITHOUT WRITTEN PERMISSION	