

CUSTOMER PRINT

PART NUMBER: 18980-XPG-5XX

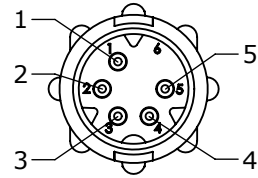
- NOTES:
 1. PARTS ARE TO BE BULK PACKED.
 2. PARENTHESIS () INDICATE REFERENCE DIMENSION.
 3. BRACKETS [] INDICATE METRIC DIMENSIONS.

ASS'Y P/N	CONTACT QTY.	KEY STYLE
18980-5PG-5XX	5 - #26	A-KEY
18980-6PG-5XX	6 - #26	B-KEY
18980-7PG-5XX	7 - #26	A-KEY

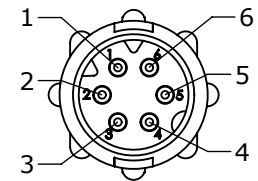
NUMBER OF CONTACTS

ASS'Y P/N	CABLE O.D.
18980-XPG-518	0.175 - 0.185 [4.4-4.7]
18980-XPG-521	0.205 - 0.215 [5.2-5.5]
18980-XPG-522	0.215 - 0.225 [5.5-5.7]

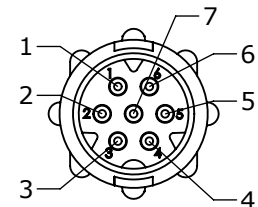
GROMMET SIZE



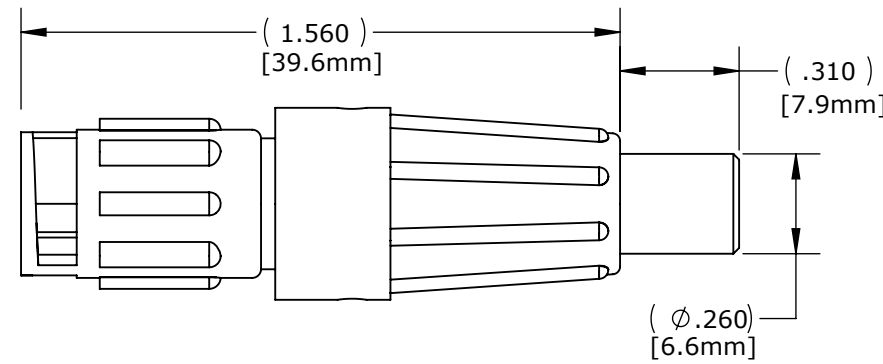
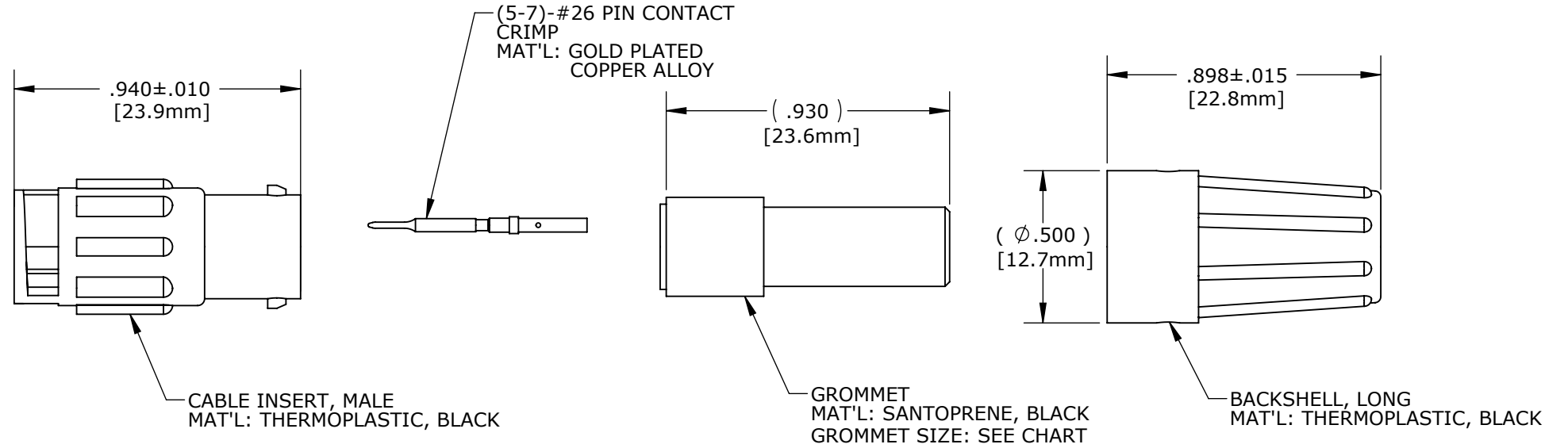
FACE VIEW
 18980-5PG-5XX
 5 POSITION
 A-KEY



FACE VIEW
 18980-6PG-5XX
 6 POSITION
 B-KEY



FACE VIEW
 18980-7PG-5XX
 7 POSITION
 A-KEY



ASSEMBLED KIT VIEW
 FOR CUSTOMER REFERENCE ONLY

CUSTOMER APPROVAL

THIS DOCUMENT CONTAINS CONFIDENTIAL INFORMATION PROPRIETARY TO CONXALL CORPORATION. ANY REPRODUCTION, DISCLOSURE, OR USE OF THIS DOCUMENT /INFORMATION IS EXPRESSLY PROHIBITED UNLESS AUTHORIZED IN WRITING BY CONXALL CORPORATION.

APPROVED BY: _____
 DATE: _____

RoHS COMPLIANT

B	AN	01-15-14	DRAWING NO. WAS 18980-XPG-XXX, REMOVED SHORT BACKSHELL ASSEMBLIES AND SECTION VIEW. ADDED TOLERANCES AND MATERIALS. PER ECR 8074
A	PAK	04/01/10	DRAWING CREATED PER DOR 06-E168CS
REV.	INIT.	DATE	DESCRIPTION
			ORIG. DRAWN BY: PAK DATE: 03/11/10
ALL INFORMATION ILLUSTRATED IS THE PROPERTY OF CONXALL CORPORATION. UNAUTHORIZED DUPLICATION OR DISTRIBUTION OF THIS DOCUMENT IS PROHIBITED.			<p>601 E. WILDWOOD VILLA PARK, IL 60181</p>
ALL UNITS ARE IN FEET, INCHES, FRACTION OF INCHES AND DECIMALS.			
APPROVED BY:		TITLE: IN-LINE CONNECTOR KIT #26 PIN CONTACT, CRIMP MICRO-CON-X, A-KEY & B-KEY STANDARD PRODUCT	
SCALE	SIZE	SHEET	CUSTOMER:
NTS	B	1 OF 1	18980-XPG-5XX
FILE:	DIRECTORY:	PART NUMBER:	REV
18980-XPG-5XX	SLW	18980-XPG-5XX	B