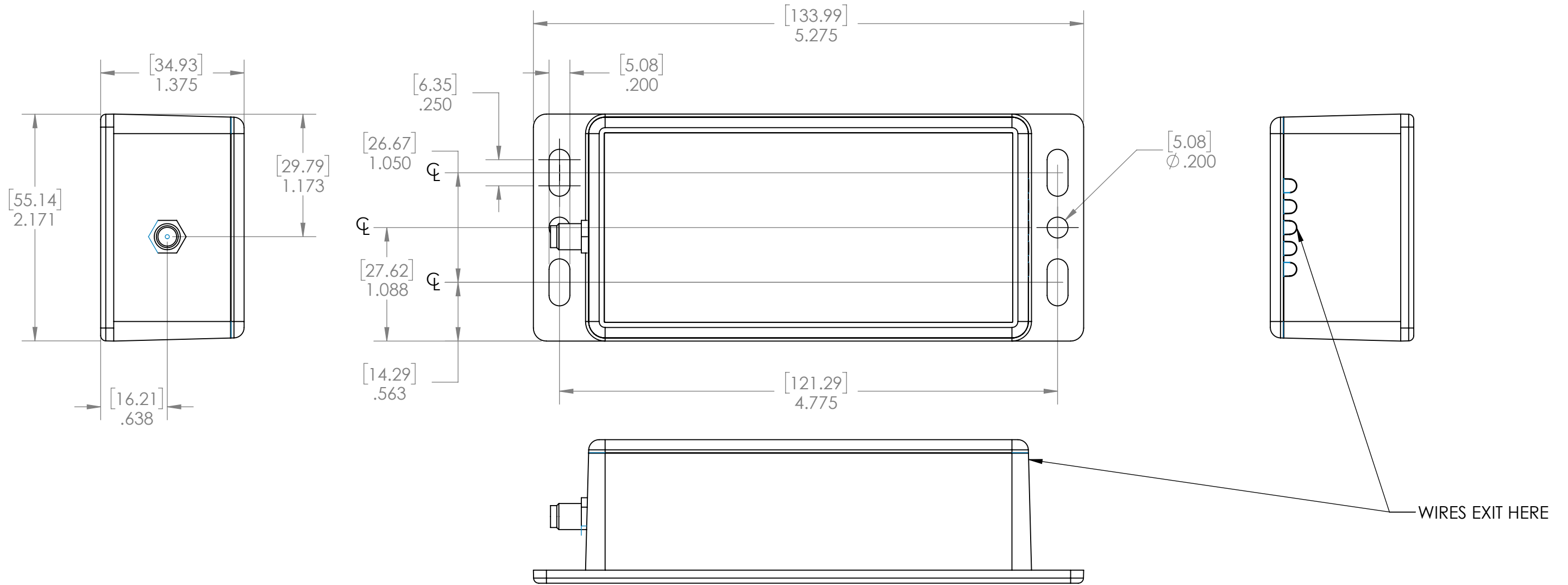


NOTES:
 1. FOR REFERENCE ONLY. THE USER OF THIS DOCUMENT ASSUMES ALL RESPONSIBILITY FOR VERIFYING THE INFORMATION PROVIDED HEREIN.

REVISIONS				
ZONE	REV.	CHANGE DESCRIPTION	APPROVED	DATE
ALL	A000	INITIAL RELEASE	EMJ	6/18/15
	A001	CHANGE TITLE FROM DIM10-150	EMJ	7/20/16



THIRD ANGLE PROJECTION

 UNLESS OTHERWISE SPECIFIED:
 DIMENSIONS ARE IN INCHES [MM]
 TOLERANCES:
 ANGULAR: MACH ±1° BEND ±3°
 TWO PLACE DECIMAL ±.01
 THREE PLACE DECIMAL ±.005
 PROPRIETARY AND CONFIDENTIAL
 THE INFORMATION CONTAINED
 IN THIS DRAWING IS THE SOLE
 PROPERTY OF SYNAPSE WIRELESS,
 INC. ANY REPRODUCTION IN PART
 OR AS A WHOLE WITHOUT THE
 WRITTEN PERMISSION OF SYNAPSE
 WIRELESS, INC IS PROHIBITED.

COMMENTS:
 INTERPRET GEOMETRIC
 TOLERANCING PER: ANSI
 MATERIAL
 FINISH
 DO NOT SCALE DRAWING

synapse SYNAPSE WIRELESS INC.
 6723 ODYSSEY DR HUNTSVILLE, AL 35806
 TITLE:
LP150 MECH DATASHEET
 SIZE DWG. NO. REV
B 120-013002-000 A001
 DRAWN BY: EMJ SHEET 1 OF 1