

REVISIONS

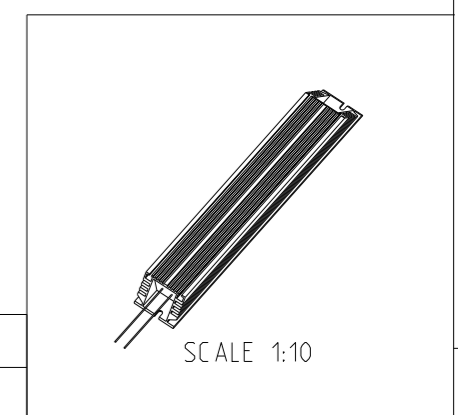
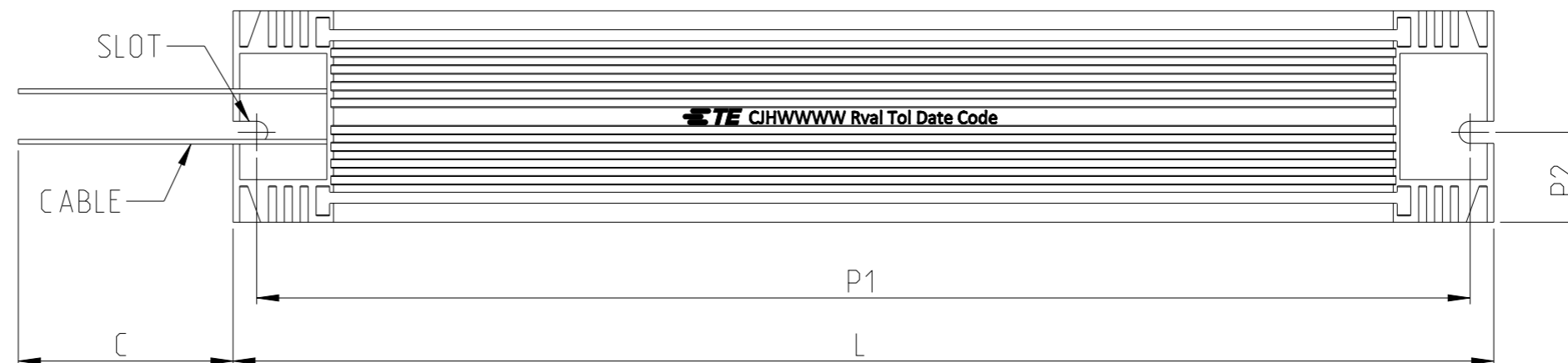
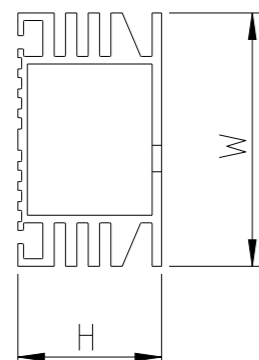
NOTE:

- 1 MOUNTING: Mounting: 2x SLOT 7x10mm
- 2 TERMINATION CABLES: UL APPROVED FEP CABLES FOR THE TERMINATIONS, BASED ON THE RESISTOR CURRENT RATING (SEE CHART BELOW) WITH E5 RING TERMINALS

CURRENT RATING	CABLE SIZE USED
≤15A	16 AWG
>15A & ≤25A	14 AWG
>25A & ≤35A	12 AWG

3 FOR FURTHER INFORMATION SEE DATA SHEET FOR CJH SERIES OF ALUMINIUM HOUSED RESISTOR

P	LTR	DESCRIPTION	DATE	DWN	APVD
	A	INITIAL DRAWING RELEASE	26MAY2022	KS	AP



PART NUMBER	L ±1	W ±1	H ±1	C ±1	P1 ±0.5	P2 ±0.5
CJH1250	400	67	38	290	385	28.5

THIS DRAWING IS A CONTROLLED DOCUMENT.		DWN KARTHIK S 26MAY2022		
		CHK ALLAN P 26MAY2022		
DIMENSIONS: mm		APVD ALLAN P 26MAY2022	NAME ALUMINIUM ENCLOSED RESISTOR CJH1250 SERIES	
		PRODUCT SPEC -	APPLICATION SPEC -	
MATERIAL -		FINISH -	WEIGHT -	RESTRICTED TO -
		SIZE A3	CAGE CODE 00779	DRAWING NO C=2176514
		CUSTOMER DRAWING		SCALE 1:2 SHEET 1 OF 2 REV A

REVISIONS


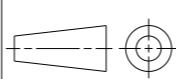
P	LTR	DESCRIPTION	DATE	DWN	APVD
	-	SEE SHEET 1	-	-	-

SCHEDULE

TCPN	PRODUCT NUMBER	MATERIAL DESCRIPTION	PART STATUS
2176514-1	C JH1250J2R2J	C JH 1250W 2R2 5% LEAD	PRODUCTION
2176514-2	C JH1250J2R7J	C JH 1250W 2R7 5% LEAD	PRODUCTION
2176514-3	C JH1250J3R3J	C JH 1250W 3R3 5% LEAD	PRODUCTION
2176514-4	C JH1250J3R9J	C JH 1250W 3R9 5% LEAD	PRODUCTION
2176514-5	C JH1250J4R7J	C JH 1250W 4R7 5% LEAD	PRODUCTION
2176514-6	C JH1250J5R6J	C JH 1250W 5R6 5% LEAD	PRODUCTION
2176514-7	C JH1250J6R8J	C JH 1250W 6R8 5% LEAD	PRODUCTION
2176514-8	C JH1250J8R2J	C JH 1250W 8R2 5% LEAD	PRODUCTION
2176514-9	C JH1250J10RJ	C JH 1250W 10R 5% LEAD	PRODUCTION
1-2176514-0	C JH1250J12RJ	C JH 1250W 12R 5% LEAD	PRODUCTION
1-2176514-1	C JH1250J15RJ	C JH 1250W 15R 5% LEAD	PRODUCTION
1-2176514-2	C JH1250J18RJ	C JH 1250W 18R 5% LEAD	PRODUCTION
1-2176514-3	C JH1250J22RJ	C JH 1250W 22R 5% LEAD	PRODUCTION
1-2176514-4	C JH1250J27RJ	C JH 1250W 27R 5% LEAD	PRODUCTION
1-2176514-5	C JH1250J33RJ	C JH 1250W 33R 5% LEAD	PRODUCTION
1-2176514-6	C JH1250J39RJ	C JH 1250W 39R 5% LEAD	PRODUCTION
1-2176514-7	C JH1250J47RJ	C JH 1250W 47R 5% LEAD	PRODUCTION
1-2176514-8	C JH1250J56RJ	C JH 1250W 56R 5% LEAD	PRODUCTION
1-2176514-9	C JH1250J68RJ	C JH 1250W 68R 5% LEAD	PRODUCTION
2-2176514-0	C JH1250J82RJ	C JH 1250W 82R 5% LEAD	PRODUCTION

SCHEDULE

TCPN	PRODUCT NUMBER	MATERIAL DESCRIPTION	PART STATUS
2-2176514-1	C JH1250J100RJ	C JH 1250W 100R 5% LEAD	PRODUCTION
2-2176514-2	C JH1250J120RJ	C JH 1250W 120R 5% LEAD	PRODUCTION
2-2176514-3	C JH1250J150RJ	C JH 1250W 150R 5% LEAD	PRODUCTION
2-2176514-4	C JH1250J180RJ	C JH 1250W 180R 5% LEAD	PRODUCTION
2-2176514-5	C JH1250J220RJ	C JH 1250W 220R 5% LEAD	PRODUCTION
2-2176514-6	C JH1250J270RJ	C JH 1250W 270R 5% LEAD	PRODUCTION
2-2176514-7	C JH1250J330RJ	C JH 1250W 330R 5% LEAD	PRODUCTION
2-2176514-8	C JH1250J390RJ	C JH 1250W 390R 5% LEAD	PRODUCTION
2-2176514-9	C JH1250J470RJ	C JH 1250W 470R 5% LEAD	PRODUCTION
3-2176514-0	C JH1250J560RJ	C JH 1250W 560R 5% LEAD	PRODUCTION
3-2176514-1	C JH1250J680RJ	C JH 1250W 680R 5% LEAD	PRODUCTION
3-2176514-2	C JH1250J820RJ	C JH 1250W 820R 5% LEAD	PRODUCTION
3-2176514-3	C JH1250J1K0J	C JH 1250W 1K0 5% LEAD	PRODUCTION
3-2176514-4	C JH1250J1K2J	C JH 1250W 1K2 5% LEAD	PRODUCTION
3-2176514-5	C JH1250J1K5J	C JH 1250W 1K5 5% LEAD	PRODUCTION
3-2176514-6	C JH1250J1K8J	C JH 1250W 1K8 5% LEAD	PRODUCTION

THIS DRAWING IS A CONTROLLED DOCUMENT.		DWN KARTHIK S 26MAY2022	 TE Connectivity NAME ALUMINIUM ENCLOSED RESISTOR C JH1250 SERIES		
DIMENSIONS: mm		CHK ALLAN P 26MAY2022			
		APVD ALLAN P 26MAY2022			
TOLERANCES UNLESS OTHERWISE SPECIFIED:		PRODUCT SPEC	RESTRICTED TO		
0 PLC ±- 1 PLC ±0.5 2 PLC ±0.13 3 PLC ±0.013 4 PLC ±0.0001 ANGLES ±-		APPLICATION SPEC	SIZE A3	CAGE CODE 00779	DRAWING NO C=2176514
MATERIAL		WEIGHT	-		
-		CUSTOMER DRAWING	SCALE 1:1	SHEET 2 OF 2	REV A