

- 1
- 2
- 3
- 4
- 5
- 6
- 7
- 8
- 9
- 10
- 11
- 12
- 13
- 14
- 15
- 16
- 17
- 18

MATERIAL

- **VL.640 FP:** glass-fibre reinforced polyamide based (PA) technopolymer, black colour, glossy finish.
- **VL.140 FP:** phenolic based (PF) Duroplast, black colour, glossy finish.

STANDARD EXECUTIONS

- **VL.640 FP-A:** black-oxide steel hub, with uncovered front end, available in different executions: reamed pass-through hole, threaded pass-through hole.
- **VL.140 FP-A:** black-oxide steel hub available in different executions: reamed pass-through hole, threaded pass-through hole.

OTHER EXECUTIONS ON REQUEST

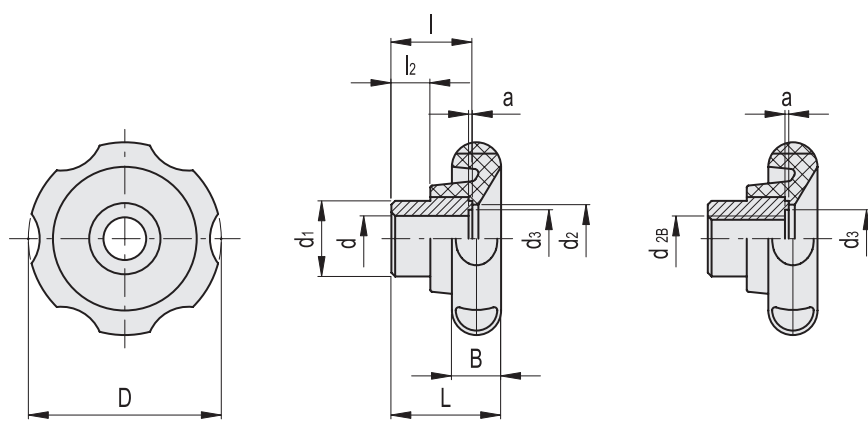
Metric threaded or plain pass-through holes.

SPECIAL EXECUTIONS ON REQUEST

Different RAL colours with zinc-plated steel hub.



ELESA Original design



VL.640 FP

INCH

Code	Description	D	d	d2B	L	B	d1	d2	d3	l	l2	a	⚖
9174121	VL.640/50 FP-A 5/16	1.97	0.312	-	1.14	0.51	0.79	0.71	-	0.83	0.39	-	0.16
9174141	VL.640/50 FP-A 5/16-18	1.97	-	5/16-18	1.14	0.51	0.79	0.71	-	0.83	0.39	-	0.17
9174321	VL.640/70 FP-A 3/8	2.76	0.375	-	1.3	0.71	1.18	1.18	0.71	0.98	0.47	0.03	0.41
9174341	VL.640/70 FP-A 3/8-16	2.76	-	3/8-16	1.3	0.71	1.18	1.18	0.71	0.98	0.47	0.03	0.43
9174421	VL.640/80 FP-A 1/2	3.15	0.500	-	1.57	0.75	1.38	1.34	0.71	1.18	0.59	0.03	0.66
9174441	VL.640/80 FP-A 1/2-13	3.15	-	1/2-13	1.57	0.75	1.38	1.34	0.71	1.18	0.59	0.03	0.67

VL.140 FP

INCH

Code	Description	D	d	d2B	L	B	d1	d2	d3	l	l2	a	⚖
974514	VL.140/100 FP-A 1/2	3.9	0.500	-	1.73	0.79	1.42	1.34	-	1.34	0.55	-	0.85
974517	VL.140/100 FP-A 5/8-11	3.9	-	5/8-11	1.73	0.79	1.42	1.34	0.84	1.34	0.55	0.06	0.87
974614	VL.140/130 FP-A 1/2	5.08	0.500	-	1.85	0.87	1.57	1.42	-	1.34	0.51	-	1.29

Clamping knobs