

LAYOUT SHOWN AS EXAMPLE

Keying Shown as example

CHARACTERISTICS

- Standard : Based on MIL-DTL-38999 Series III
- Shell Material : Stainless Steel
- Shell Plating : Passivated
- Insulator : Thermoplastic
- Contacts : Copper Alloy
- Seals & Grommet : Silicon Elastomer
- Contact Plating : Gold over copper Alloy 0.8µm minimum
- Durability : 500 Mating cycles
- Delivered with Souriau contacts and Accessories
- Temperature Range : -65°C to +200°C
- Salt Spray : 500 hours

| Connector dimension | |
|---------------------|-----------------|
| Dim | Nominal |
| A | 58.7±0.3 |
| B | 42.85+0.1/-0.15 |
| R | 32.5Max |
| S | 55.6±0.4 |
| W | 3+0.9/-0.1 |
| VV THREAD | M37x1-6g |

SOURIAU shall not be liable for any non-conformity or damage due to a use of the Products which does not comply with the Specifications issued by either of the Parties or by a third party (professional recommendation, technical notice.)

| | |
|---------|-----------------------------|
| Country | Jurisdiction & Control List |
| FR | Not Listed |

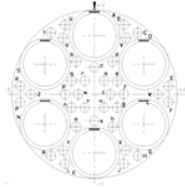
PN: 8D725K17AC

| | | | |
|--------------|---|--------------------------------|---|
| A | 03-10-2016 | First Release | |
| ISS | DATE | Latest modification - by | MOD N° |
| Designed By: | | Date: | CUSTOMER DRAWING |
| TITLE | Stainless Steel Receptacle 8D series | | |
| SCALE | | General linear Tolerances: ±-- | NPRDS / PROJECT 859 |
| NA | SOURIAU WWW.SOURIAU.COM | | This document is the property of SOURIAU it must not be reproduced or communicated without permission |
| FORMAT | A3 | | SOURIAU DRG N° 8D725K17AC-C SHEET 1/2 |

| | | | | | | | | | |
|----------------|------------------------|---|---|----|---|----|---|---|---------------------------------|
| BASIC SERIES: | 8D | 7 | - | 25 | K | 17 | A | C | ORIENTATION : C |
| SHELL TYPE : | Jam nut Receptacle | | | | | | | | CONTACT TYPE : PIN(500 Matings) |
| CONTACT TYPE : | Standard Crimp Contact | | | | | | | | CONTACT LAYOUT : 25-17 |
| SHELL SIZE : | 25 | | | | | | | | |
| PLATING : | K = Passivated | | | | | | | | |

Contact Layout

17

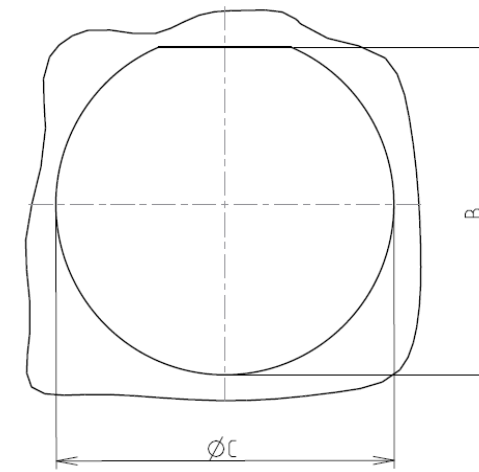


36#22D
6#8 Triax

| Ctc | X | Y | Ctc | X | Y |
|-----|--------|--------|-----|--------|--------|
| A | 0 | 11.1 | Y | -6.02 | -10.64 |
| B | 5.69 | 13.16 | Z | -12.24 | 0 |
| C | 8.36 | 11.66 | a | -6.02 | 10.64 |
| D | 9.52 | 5.71 | b | -3.5 | 6.17 |
| E | 14.25 | 1.52 | c | 0 | 5.08 |
| F | 14.25 | -1.52 | d | 3.5 | 6.17 |
| G | 9.52 | -5.71 | e | 4.59 | 2.54 |
| H | 8.36 | -11.66 | f | 5.66 | 0 |
| J | 5.69 | -13.16 | g | 4.39 | -2.54 |
| K | 0 | -11.1 | h | 3.5 | -6.17 |
| L | -5.69 | -13.16 | j | 0 | -5.08 |
| M | -8.36 | -11.66 | k | -3.5 | -6.17 |
| N | -9.52 | -5.71 | m | -4.39 | -2.54 |
| P | -14.25 | -1.52 | n | -5.66 | 0 |
| R | -14.25 | 1.52 | p | -4.39 | 2.54 |
| S | -9.52 | 5.71 | r | -1.85 | 2.54 |
| T | -8.36 | 11.66 | s | 1.85 | 2.54 |
| U | -5.69 | 13.16 | t | 3.12 | 0 |
| V | 6.02 | 10.64 | u | 1.85 | -2.54 |
| W | 12.24 | 0 | v | -1.85 | -2.54 |
| X | 6.02 | -10.64 | w | -3.12 | 0 |

Panel cutout

JAM NUT RECEPTACLE (TYPE 7)



| Dim | Nominal |
|-----|---------------|
| B | 43.43+0/-0.25 |
| ØC | 44.7+0.25/-0 |

SOURIAU shall not be liable for any non-conformity or damage due to a use of the Products which does not comply with the Specifications issued by either of the Parties or by a third party (professional recommendation, technical notice.)

| Country | Jurisdiction & Control List |
|---------|-----------------------------|
| FR | Not Listed |

PN: 8D725K17AC

| | | | |
|--------------|-----------------------------|---|---------------------|
| A | 03-10-2016 | First Release | |
| ISS | DATE | Latest modification - by | MOD N° |
| Designed By: | | Date: | CUSTOMER DRAWING |
| TITLE | | Stainless Steel Receptacle 8D series | |
| SCALE | NA | General linear Tolerances: ±-- | NPRDS / PROJECT 859 |
| SOURIAU | | WWW.SOURIAU.COM | |
| | | This document is the property of SOURIAU it must not be reproduced or communicated without permission | |
| FORMAT | SOURIAU DRG N° 8D725K17AC-C | | SHEET 2/2 |