

LOC	DIST	REVISIONS					
A	00	P	LTR	DESCRIPTION	DATE	DWN	APVD
			K1	SEE PRODUCTION DRAWING	-	-	-


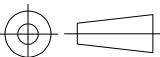
SEE PRODUCTION DRAWING  
680007

RELEASED FOR PUBLICATION

ALL RIGHTS RESERVED.

THIS DRAWING IS UNPUBLISHED.

© COPYRIGHT - By -

DIMENSIONS: INCHES	DWN	M. YOUNGER	14MAR2012	MATERIAL	-	FINISH	-	
	CHK	M. YOUNGER	14MAR2012	 TE Connectivity				
TOLERANCES UNLESS OTHERWISE SPECIFIED:	APVD	T. ELBIN	15MAR2012					
0 PLC ± -	PRODUCT SPEC	NAME						
1 PLC ± -	APPLICATION SPEC	END FEED HDM APPLICATOR						
2 PLC ± -	WEIGHT	-	SIZE	CAGE CODE	DRAWING NO	RESTRICTED TO		
3 PLC ± -			A4	00779	C-680007	-		
4 PLC ± -			CUSTOMER DRAWING				SCALE	1:1
ANGLES ± -						SHEET	1 OF 1	
						REV	K1	