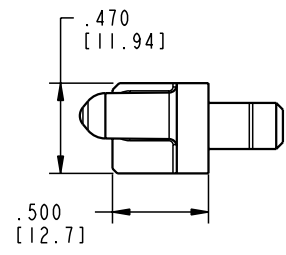
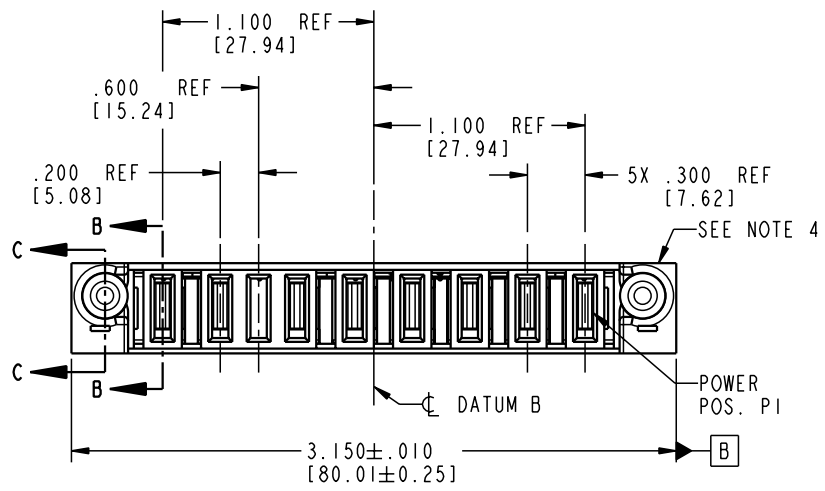
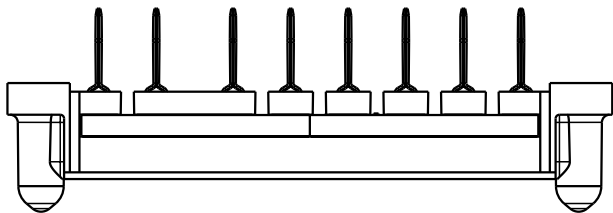


Tous droits strictement réservés. Reproduction ou communication o des liers interdite sous quelque forme que ce soit sans autorisation écrite du propriétaire. Propriete de c FCI. Droits de reproduction FCI.

All rights strictly reserved. Reproduction or issue to third parties in any form whenever is not permitted without written authority from the proprietor. Property of FCI. Copyright FCI.



PRODUCT NO.	POWER										E1
	E2	P9	P8	P7	P6	P5	P4	P3	P2	P1	
51897-010		PH	PH	X	PH	PH	PH	PH	PH	PH	



CODE	DIM "M" MATING LENGTH	CONTACT TYPE
PH	.092 [2.34]	POWER
X	OMITTED	OMITTED

mat'l code				SEE NOTE 2		tolerances unless otherwise specified		CUSTOMER		 www.fciconnect.com	
ltr	ecn no.	dr	date	linear	.XX±.01/0.X±0.3		COPY		title		
A	V04-1060	TAB	10/25/04		.XXX±.005/0.XX±0.13		projection		9ACP		
				angles	.XXX±.0020/0.XXX±0.051				VERTICAL RECEPTACLE		
				dr	T. BRUNGARD	10/25/04	INCH/MM		product family		code
				engr	M. GRAY	10/25/04	scale		PwrBlade		213
				chr	M. GRAY	10/25/04	1:1		size		sheet
				appd	M. GRAY	10/25/04			A		51897-010
sheet index	revision sheet	A	A	A	A						1 of 4
1	2	3	4								

Tous droits strictement reserves. Reproduction ou communication a des tiers interdite sous quelque forme que ce soit sans autorisation ecrite du proprietaire. Propriete de c FCI. Droits de reproduction FCI.

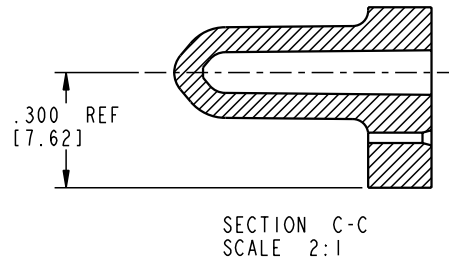
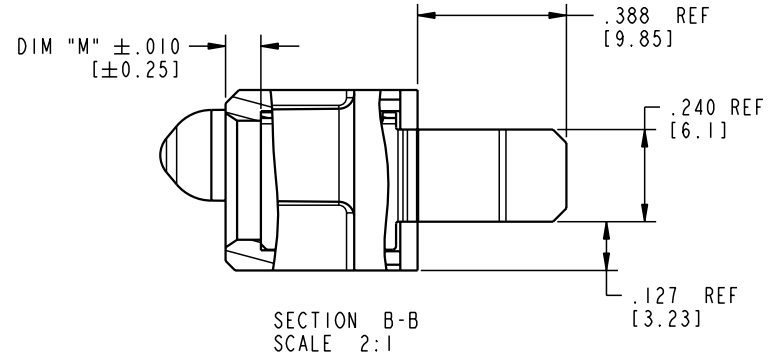
**A**  
**FCI**


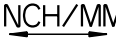
All rights strictly reserved. Reproduction or issue to third parties in any form whatever is not permitted without written authority from the proprietor. Property of FCI. Copyright FCI.

**A**

**B**

PRODUCT NUMBER  
**51897-010**



mat'l code				SEE NOTE 2		tolerances unless otherwise specified		CUSTOMER		 <b>FCI</b> www.fciconnect.com	
ltr	ecn no.	dr	date	linear	.XX±.01/0.X±0.3		COPY		title <b>9ACP VERTICAL RECEPTACLE</b>		
A					.XXX±.005/0.XX±0.13		projection				
				angles	.XXX±.0020/0.XXX±0.051				product family PwrBlade code 213		
				dr	T. BRUNGARD	10/25/04	scale		size A <b>51897-010</b> sheet 2 of 4		
				engr	M. GRAY	10/25/04	1:1				
				chr	M. GRAY	10/25/04					
				appd	M. GRAY	10/25/04					
sheet index		revision sheet								cage code <b>22526</b>	

**A**

**B**

1 | 2

3 |

4

1 | 2

Pro/E

3 |

cage code

**22526**

4

**PDM: Rev:A**

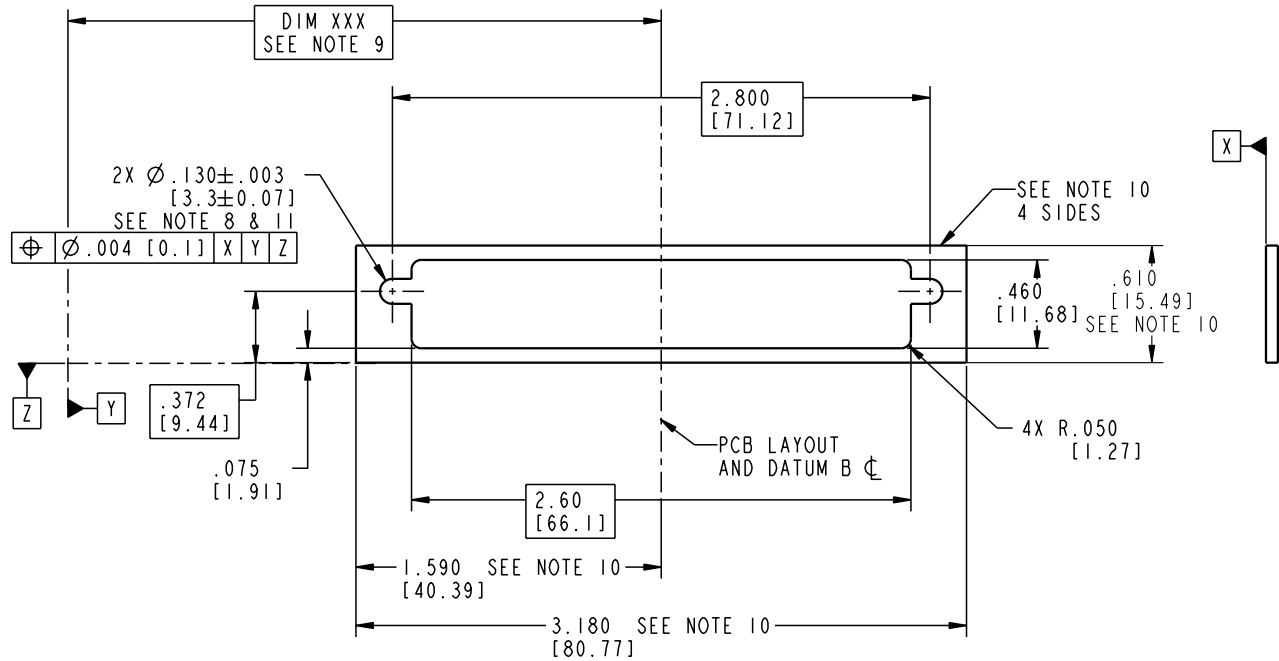
STATUS: **Released**

Printed: Dec 20, 2010

Tous droits strictement réservés. Reproduction ou communication o des tiers interdite sous quelque forme que ce soit sans autorisation écrite du propriétaire. Propriete de c FCI. Droits de reproduction FCI.

All rights strictly reserved. Reproduction or issue to third parties in any form whatever is not permitted without written authority from the proprietor. Property of FCI. Copyright FCI.

PRODUCT NUMBER  
51897-010



mat'l code				SEE NOTE 2		tolerances unless otherwise specified		CUSTOMER		 www.fciconnect.com	
ltr	ecn no.	dr	date	linear	.XX±.01/0.X±0.3		COPY		title		
A					.XXX±.005/0.XX±0.13		projection		9ACP		
					.XXX±.0020/0.XXX±0.051				VERTICAL RECEPTACLE		
				angles	0°±?		INCH/MM		product family		code
				dr	T. BRUNGARD	10/25/04	scale		PwrBlade		213
				engr	M. GRAY	10/25/04	1:1		size		sheet
				chr	M. GRAY	10/25/04			A 51897-010		3 of 4
				appd	M. GRAY	10/25/04					
sheet index		revision sheet									

Pro/E

cage code 22526

PDM: Rev:A

STATUS: Released

Printed: Dec 20, 2010

Tous droits strictement reserves. Reproduction ou communication a des tiers interdite sous quelque forme que ce soit sans autorisation écrite du propriétaire. Propriete de c FCI. Droits de reproduction FCI.



All rights strictly reserved. Reproduction or issue to third parties in any form whatever is not permitted without written authority from the proprietor. Property of FCI. Copyright FCI.

PRODUCT NUMBER  
51897-010

NOTES:

1. DIMENSIONS AND TOLERANCES ARE IN ACCORDANCE WITH ASME Y14.5M, 1994 UNLESS OTHERWISE SPECIFIED.

CONNECTOR NOTES:

- 2 HOUSING MATERIAL: UL 94 V-0 GLASS FILLED  
HIGH-TEMP THERMOPLASTIC  
POWER CONTACT MATERIAL: COPPER ALLOY  
SIGNAL PIN MATERIAL: COPPER ALLOY
- 3. PLATING:  
SIGNAL PINS: 30u"/0.76um Au OVER 50u"/1.27um Ni  
POWER CONTACTS: 50u"/1.27um Ni UNDER ALL  
WITH 30u"/0.76um Au ON CONTACT AREA  
AND SnPb ON PCB INTERFACE
- 4 MANUFACTURER'S NAME, P/N, AND DATE CODE TO APPEAR ON THIS SURFACE.
- 5. PRODUCT SPECIFICATION GS-12-149.  
APPLICATION SPECIFICATION BUS-20-067.

6. PACKAGED IN TRAYS.

PCB NOTES:

- 7. ALL HOLE DIAMETERS ARE FINISHED HOLE SIZE.
- 8 MOUNTING HOLES, WHERE APPLICABLE, ARE UNPLATED.
- 9 "DIM XXX" TO BE DETERMINED BY THE CUSTOMER.
- 10 CONNECTOR KEEP-OUT ZONE.
- 11 RECOMMENDED RETENTION TO PCB

Ø .13[3.3] THRU HOLE FOR #5 SOCKET HEAD CAP SCREW  
MAX. HEAD .205[5.21] RECOMMENDED SCREW LENGTH 12mm [.472] + PCB THICKNESS.  
RECOMMENDED SCREW SEATING TO PCB TORQUE: 2-5 lbf-in (2300-5760 gf-cm).

mat'l code				SEE NOTE 2		tolerances unless otherwise specified		CUSTOMER		www.fciconnect.com	
ltr	ecn no.	dr	date	linear	.XX±.01/0.X±0.3		COPY			title	
A					.XXX±.005/0.XX±0.13		INCH/MM			9ACP	
					.XXX±.0020/0.XX±0.051		scale			VERTICAL RECEPTACLE	
				angles	0°±?				product family		
				dr	T. BRUNGARD	10/25/04	1:1		PwrBlade		code
				enr	M. GRAY	10/25/04			size		213
				chr	M. GRAY	10/25/04			dwg no		sheet
				appd	M. GRAY	10/25/04			A 51897-010		4 of 4
sheet index		revision sheet									

1 | 2

Pro/E

3 |

cage code 22526

4

PDM: Rev:A

STATUS: Released

Printed: Dec 20, 2010