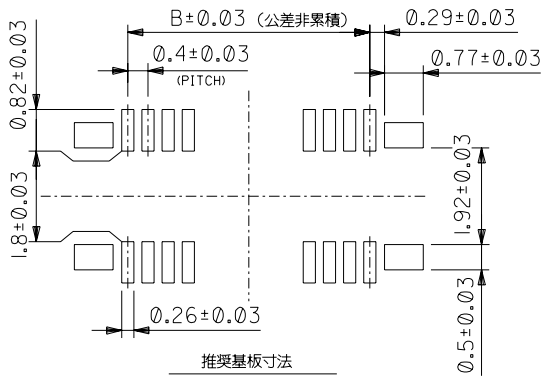
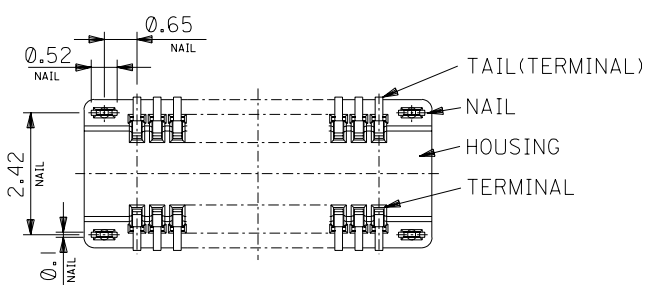
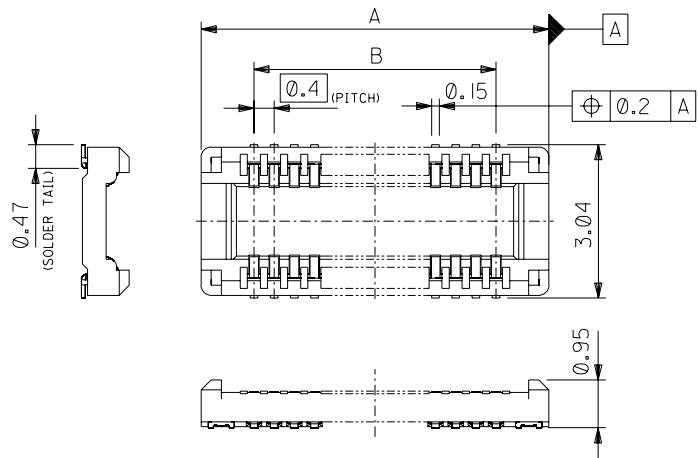


DWG. NO. SD-500027-018



推奨基板寸法  
RECOMMENDED P.C.B  
PATTERN LAYOUT

注記  
NOTES

- 材質 MATERIAL  
ハウジング : 液晶ポリマー-UL94V-0  
HOUSING : LIQUID CRYSTAL POLYMER [LCP]  
UL94V-0  
ターミナル : 銅合金  
TERMINAL : COPPER ALLOY  
ネール : 銅合金  
NAIL : COPPER ALLOY
- メッキ仕様 PLATING  
接点部 : 金メッキ 0.1μm  
CONTACT AREA : GOLD PLATING 0.1μm  
半田付け部 : 金メッキ 0.1μm  
SOLDER TAIL AREA : GOLD PLATING 0.1μm  
下地メッキ : パラジウム-ニッケルメッキ 0.2μm  
ニッケルメッキ 0.5μm  
UNDER PLATING : PALLADIUM-NICKEL PLATING  
0.2μm  
NICKEL PLATING 0.5μm  
ネール : 錫メッキ 1.0μmMIN.  
NAIL : TIN PLATING 1.0μmMIN.  
下地メッキ : ニッケルメッキ 1.0μmMIN.  
UNDER PLATING : NICKEL PLATING 1.0μmMIN.
- テール及びネールの平坦度は 0.1 以下  
TAIL AND NAIL COPLANARITY : 0.1 MAX.
- 嵌合相手 : 500024 シリーズ。  
MATE WITH : 500024 SERIES.
- 本製品は 500027-\*\*29 の鉛フリー品である。  
THIS PRODUCT IS LEAD FREE OF 500027-\*\*29.

17.7	15.6	500027-8028	80
15.7	13.6	500027-7028	70
14.5	12.4	500027-6428	64
13.7	11.6	500027-6028	60
11.7	9.6	500027-5028	50
9.7	7.6	500027-4028	40
8.5	6.4	500027-3428	34
7.7	5.6	500027-3028	30
A	B	MATERIAL No.	CIRCUIT

DO NOT SCALE DRAWING

EC NO. DRWN: CH'K: APPR:		EC NO. DRWN: CH'K: APPR:		EC NO. DRWN: CH'K: APPR:		EC NO. DRWN: CH'K: APPR:		EC NO. DRWN: CH'K: APPR:		RELEASED EC NO. J2004-2513 DRWN: M.NINOMIYA 04/02/18 CH'K: K.TOJO 04/02/18 APPR: M.SASAO 04/02/18		MATERIAL 材料 #		GENERAL TOLERANCES: (UNLESS SPECIFIED) 一般公差 10 UNDER 未満 ±0.2 10 OVER 30 UNDER 未満 ±0.25 30 OVER 以上 ±0.3		SCALE 1:1 DESIGN UNITS <input checked="" type="checkbox"/> mm <input type="checkbox"/> INCH		500027-**28 MODEL NO.		DIMENSIONS: <input type="checkbox"/> mm <input type="checkbox"/> INCH <input checked="" type="checkbox"/> mm ONLY		SHT 1 REV 1	
WIRE RANGE 適用配線範囲 #		FINISH 仕上げ #		WIRE RANGE 適用配線範囲 #		INS. RANGE 被覆外径 #		ANGLE 角度 ±3°		DRAWN BY & DATE M.NINOMIYA 04/02/18 CHECKED BY & DATE K.TOJO 04/02/18 APPROVED BY & DATE M. Sasaki 04/02/18		CAD FILENAME SD-500027-018.S01		TITLE: 0.4mm PITCH B/B CONN. H=0.95mm PLUG HS'G ASS'Y -LEAD FREE-		MOLEX MOLEX INCORPORATED		MATERIAL NO. SEE CHART DRAWING NO. SD-500027-018 SHEET NO. 1 OF 2					
THIS DRAWING CONTAINS INFORMATION THAT IS PROPRIETARY TO MOLEX INCORPORATED AND SHOULD NOT BE USED WITHOUT WRITTEN PERMISSION.										SIZE B													

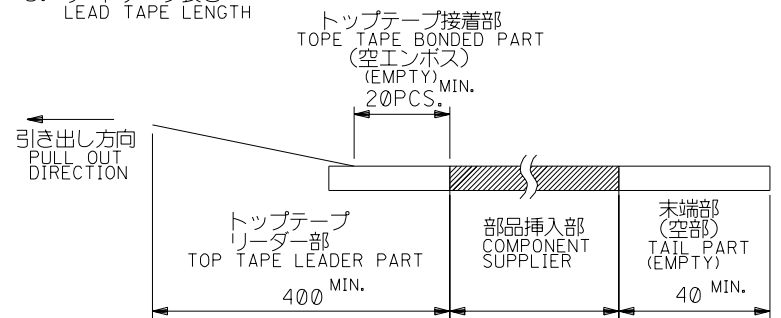
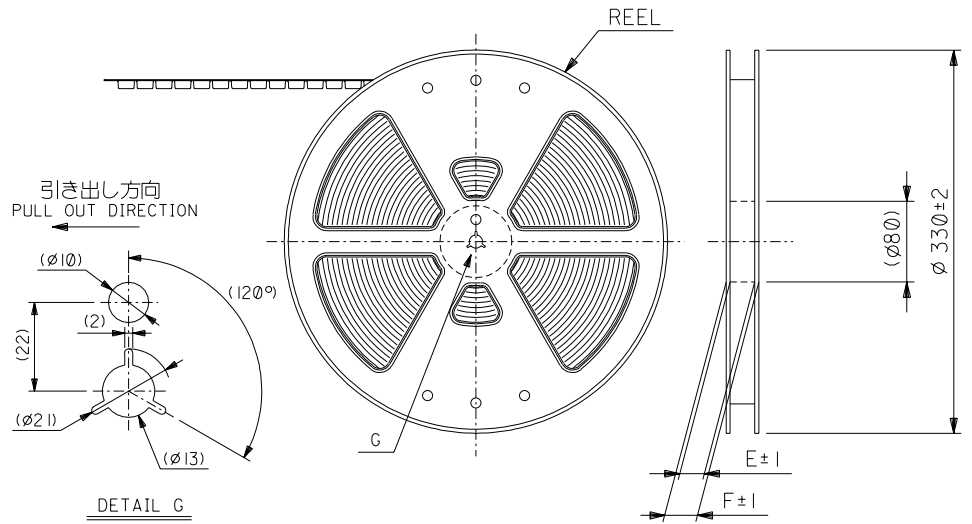
SD-500027-018-501



DWG. NO. SD-500027-019

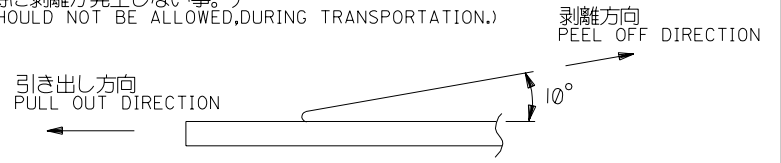
注)  
NOTES

- 製品番号500027-\*\*28 詳細寸法については、製品単体図面を参照下さい。  
IN THE PACKAGE PART NUMBER 500027-\*\*28 DETAILED DIMENSIONS, SEE SALES DRAWING FOR CONNECTOR.
- 梱包数量：2000個/リール  
NUMBER OF CONNECTORS : 2000 PCS/REEL.
- リードテープ長さ  
LEAD TAPE LENGTH



- トップテープの剥離強度：(剥離方向は下図参照)  
PEELING OFF FORCE OF TOP TAPE (PELLING DIRECTION AS SHOWN IN FOLLOWING FIGURE.)  
0. 1~1. 3N {10~130gf}

尚、本規格値は、出荷時に適用。  
THIS REQUIREMENT SHOULD BE APPLIED AT SHIPMENT.  
(但し、輸送時に剥離が発生しない事。)  
(PEEL OFF SHOULD NOT BE ALLOWED, DURING TRANSPORTATION.)

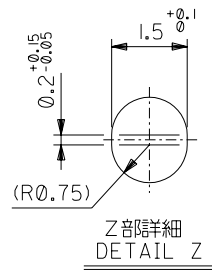
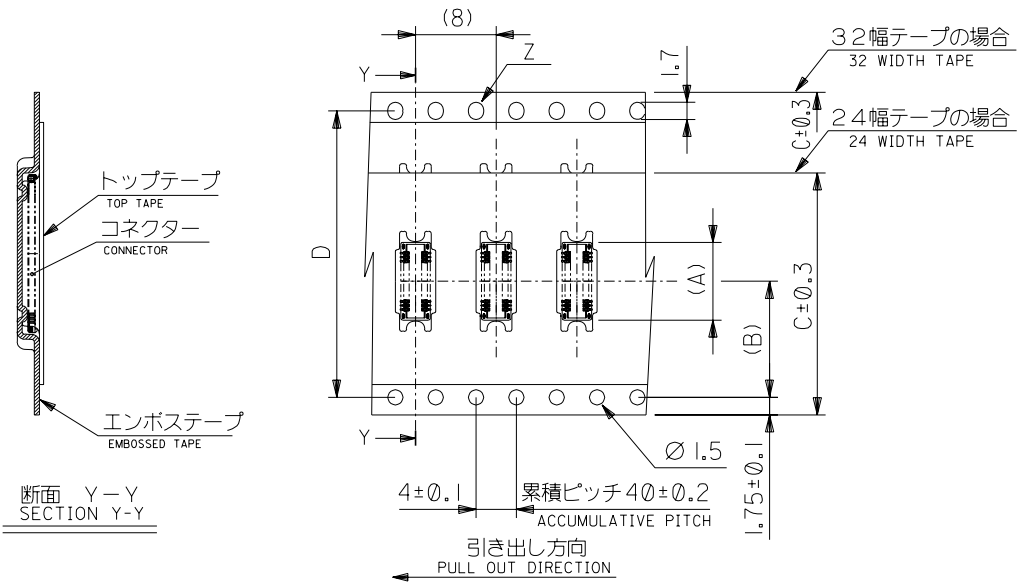


- 材料  
MATERIAL  
キャリアテープ：ポリプロピレン (PP)  
CARRIER TAPE: POLYPROPYLENE (PP)  
トップテープ：PET, PE, PEF  
TOP TAPE: PET, PE, PEF  
リール：ポリスチレン  
REEL : POLYSTYRENE
- 本製品は 500027-\*\*21 の鉛フリー品である。  
THIS PRODUCT IS LEAD FREE OF 500027-\*\*21.

DO NOT SCALE DRAWING

EC NO. DRWN: CHK: APPR:	EC NO. DRWN: CHK: APPR:	EC NO. DRWN: CHK: APPR:	REVISED	MATERIAL 材料	GENERAL TOLERANCES: (UNLESS SPECIFIED) 一般公差	500027-**71		MODEL NO.	DIMENSIONS:		SHT	REV
			EC NO. J2004-4067 DRWN: H.KAWABATA 04/05/06 CHK: K.TOJO 04/05/06 APPR: M.SASAO 04/05/06			FINISH 仕上げ	SCALE NONE	DESIGN UNITS <input checked="" type="checkbox"/> mm <input type="checkbox"/> INCH	<input checked="" type="checkbox"/> THIRD ANGLE <input type="checkbox"/> PROJECTION	<input type="checkbox"/> mm <input type="checkbox"/> INCH	<input type="checkbox"/> mm <input checked="" type="checkbox"/> ONLY	
			RELEASED	注記参照 SEE NOTES	注記参照 SEE NOTES	10 UNDER 未満	±0.2	DRAWN BY & DATE M.NINOMIYA 04/02/18		TITLE: 500027-**28 TAPING PACKAGE -LEAD FREE-		
			EC NO. J2004-2513 DRWN: M.NINOMIYA 04/02/18 CHK: K.TOJO 04/02/18 APPR: M.SASAO 04/02/18			WIRE RANGE 適用層線範囲	10 OVER 30 UNDER 以上 未満	±0.25	CHECKED BY & DATE K.TOJO 04/02/18		MOLEX MOLEX INCORPORATED	
				INS. RANGE 被覆外径	30 OVER 以上	±0.3	APPROVED BY & DATE M. Sasaki 04/02/18		MATERIAL NO.	DRAWING NO.		
					ANGLE 角度	±3°	CAD FILENAME SD-500027-019.S01		SEE CHART	SD-500027-019	1 OF 2	
THIS DRAWING CONTAINS INFORMATION THAT IS PROPRIETARY TO MOLEX INCORPORATED AND SHOULD NOT BE USED WITHOUT WRITTEN PERMISSION.										SIZE B		

SD-500027-019.S01



17.7	14.2	32	28.4	33.4	37.4	500027-8028	500027-8071	80
15.7	14.2	32	28.4	33.4	37.4	500027-7028	500027-7071	70
14.5	14.2	32	28.4	33.4	37.4	500027-6428	500027-6471	64
13.7	14.2	32	28.4	33.4	37.4	500027-6028	500027-6071	60
11.7	11.5	24	—#—	25.4	29.4	500027-5028	500027-5071	50
9.7	11.5	24	—#—	25.4	29.4	500027-4028	500027-4071	40
8.5	11.5	24	—#—	25.4	29.4	500027-3428	500027-3471	34
7.7	11.5	24	—#—	25.4	29.4	500027-3028	500027-3071	30
(A)	(B)	C	D	E	F	CONNECTOR	MATERIAL No.	CIRCUIT

DO NOT SCALE DRAWING

EC NO. DRAWN: CHK: APPR:	EC NO. DRAWN: CHK: APPR:	EC NO. DRAWN: CHK: APPR:	EC NO. DRAWN: CHK: APPR:	EC NO. DRAWN: CHK: APPR:	EC NO. DRAWN: CHK: APPR:	DESCRIPTION SEE SHEET 1 OF 2	MATERIAL 材料 注記参照 SEE NOTES	GENERAL TOLERANCES: (UNLESS SPECIFIED) 一般公差	SCALE —#	DESIGN UNITS <input checked="" type="checkbox"/> mm <input type="checkbox"/> INCH	MODEL NO. 500027-***71	DIMENSIONS: <input type="checkbox"/> mm <input type="checkbox"/> INCH <input checked="" type="checkbox"/> mm ONLY	SHT REV
							FINISH 仕上げ 注記参照 SEE NOTES	10 UNDER 未満	±0.2	DRAWN BY & DATE M.NINOMIYA 04/02/18	TITLE: 500027-***28 TAPING PACKAGE -LEAD FREE-		
							WIRE RANGE 適用電線範囲	10 OVER 以上	±0.25	CHECKED BY & DATE K.TOJO 04/02/18			
							INS. RANGE 被覆外径	30 OVER 以上	±0.3	APPROVED BY & DATE M. Saito 04/02/18			
								ANGLE 角度	±3°	CAD FILENAME SD-500027-019.S02	MATERIAL NO. SEE CHART	DRAWING NO. SD-500027-019	SHEET NO. 2
THIS DRAWING CONTAINS INFORMATION THAT IS PROPRIETARY TO MOLEX INCORPORATED AND SHOULD NOT BE USED WITHOUT WRITTEN PERMISSION.											SIZE B		

SD-500027-019.S02