

Power and error message module - TC-MACX-MCR-PTB - 2904673

Please be informed that the data shown in this PDF Document is generated from our Online Catalog. Please find the complete data in the user's documentation. Our General Terms of Use for Downloads are valid (<http://phoenixcontact.com/download>)



Power and fault signaling module, only for use on the Termination Carrier

Why buy this product

- ✓ Simple or redundant supply, decoupled from diode, protected against polarization
- ✓ Installation in zone 2 permitted (protection type "n" according to EN 60079-15)
- ✓ Error message in the event of energy supply failure or fuse fault, can be selected and deselected via DIP switch
- ✓ Bus cable error message for MACX MCR-...(2)NAM... devices connected via DIN rail connectors, can be selected and deselected via DIP switch
- ✓ Relay output (PDT) and flashing LED for error messages
- ✓ Supply current up to 2 A (max. 2 x 2,5 AT backup fuse required)
- ✓ May only be used on the Termination Carrier
- ✓ Undervoltage detection at the input, can be selected and deselected via DIP switch (set to 19.2 V supply voltage)



Key Commercial Data

Packing unit	1 STK
Custom tariff number	90303310
Country of origin	Germany

Technical data

Note

Utilization restriction	EMC: class A product, see manufacturer's declaration in the download area
-------------------------	---

Dimensions

Width	17.5 mm
Height	99 mm
Depth	114.5 mm

Power and error message module - TC-MACX-MCR-PTB - 2904673

Technical data

Ambient conditions

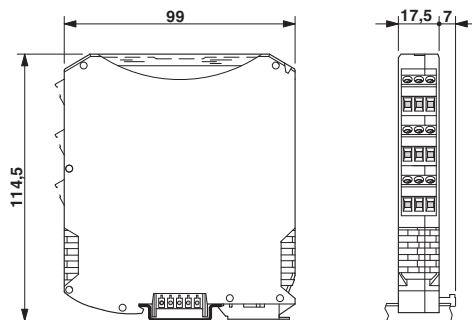
Degree of protection	IP20
Ambient temperature (operation)	-20 °C ... 60 °C (only on Termination Carrier)
Ambient temperature (storage/transport)	-40 °C ... 80 °C
Permissible humidity (operation)	5 % ... 95 % (non-condensing)

Standards and Regulations

Electromagnetic compatibility	Conformance with EMC Directive 2004/108/EC
Noise emission	EN 61000-6-4
Designation	Conducted interferences
Standards/regulations	EN 61000-4-6
Evaluation criterion	A
Flammability rating according to UL 94	V0
Conformance	CE-compliant
ATEX	# II 3 G Ex nA nC IIC T4 Gc X
IECEX	Ex nA nC IIC T4 Gc X
UL, USA/Canada	UL 61010 Listed
	Class I, Div. 2, Groups A, B, C, D T5
	Class I, Zone 2, Group IIC

Drawings

Dimensional drawing



Classifications

eCl@ss

eCl@ss 4.0	27210121
eCl@ss 4.1	27210121
eCl@ss 5.0	27210121

Power and error message module - TC-MACX-MCR-PTB - 2904673

Classifications

eCl@ss

eCl@ss 5.1	27210121
eCl@ss 6.0	27210121
eCl@ss 7.0	27210121
eCl@ss 8.0	27242601
eCl@ss 9.0	27242601

ETIM

ETIM 2.0	EC001431
ETIM 3.0	EC001596
ETIM 4.0	EC001596
ETIM 5.0	EC001596

UNSPSC

UNSPSC 6.01	30211506
UNSPSC 7.0901	39121008
UNSPSC 11	39121008
UNSPSC 12.01	39121008
UNSPSC 13.2	39121008

Approvals

Approvals


Approvals

UL Listed / cUL Listed / cULus Listed

Ex Approvals


ATEX

Approval details

UL Listed  http://database.ul.com/cgi-bin/XYV/template/LISEXT/1FRAME/index.htm FILE E 330267

Power and error message module - TC-MACX-MCR-PTB - 2904673

Approvals

cUL Listed  <http://database.ul.com/cgi-bin/XYV/template/LISEXT/1FRAME/index.htm> FILE E 330267

cULus Listed 