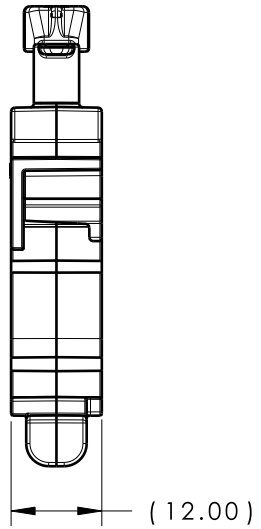
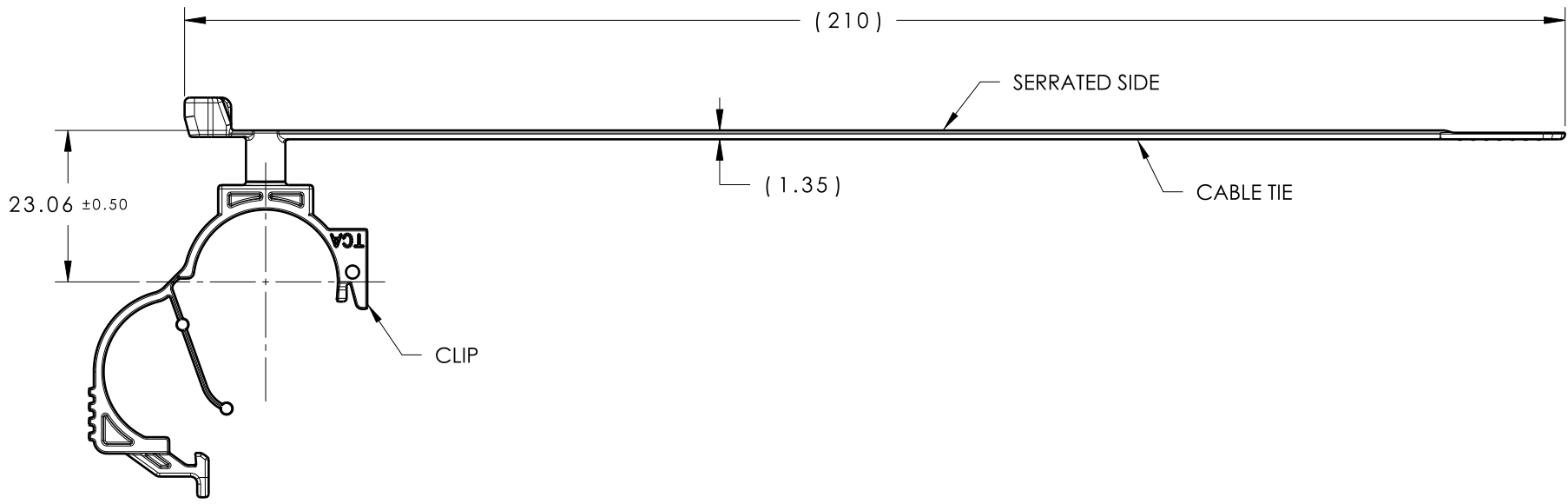
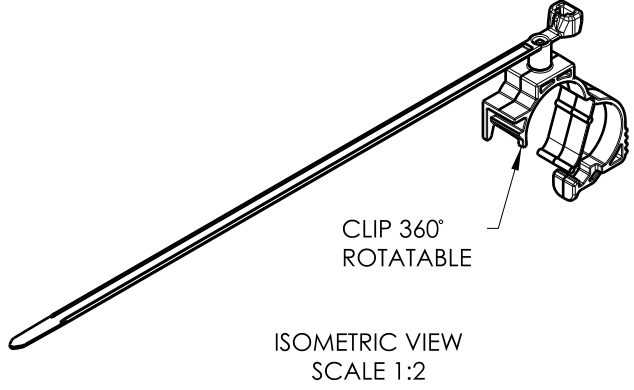


Revision Level			Revision Record	Changed	Date	Approved	Date
Drawing	State	Part					
00.1	Design Release	-	SEE ECN# 014510	KVH	7/2/18	EJF	7/5/18



GLOBAL PART DESCRIPTION	BUNDLE RANGE	CABLE TIE			CLIP		
		DRAWING	MATERIAL	COLOR	DRAWING	MATERIAL	COLOR
T50SMVCLOC15-19-PA66HIRHS-BK	2 TO 50	14-0606-012-CSU	PA66HIRHS	BLACK	12-0429-051-CSU	PA66HIRHS	BLACK

Material SEE CHART COLOR: SEE CHART	Units	millimeters	The copyright of this drawing is reserved by HellermannTyton. It is issued on condition that it is not reproduced, copied or disclosed to a third party, either wholly or in part, without the consent of HellermannTyton.	Drawn	KVH	7/2/18	Article/Type-No SEE CHART	Scale	1:1			
	Tolerance defined on each dimension	Approved		EJF	7/5/18	Title T50 TIE STRAP WITH 15-19mm LOCKING OMEGA CLIP		Project Number	12-0429			
		 North America Email: corp@htamericas.com Web: www.hellermann.tyton.com					Drawing-No	PRODUCTION : Phase	Format	B		
							12-0429-121-CSU		Sheet	1/1		