

SACC-EC-M12FS-4CON-M16/0,5

This product has been replaced by a newer version.

Order No.: 1501621



<http://eshop.phoenixcontact.de/phoenix/treeViewClick.do?UID=1501621>

Sensor/Actuator flush-type socket, 4-pos., M12, A-coded, front/screw mounting with M16 thread, can be positioned, with 0.5 m TPE litz wire, 4 x 0.34 mm²

Commercial data

EAN	4017918821425
Pack	1 pcs.
Customs tariff	85366990
Weight/Piece	0.0252 KG
Catalog page information	Page 19 (PC-2007)

Product notes

WEEE/RoHS-compliant since:
01/26/2006



<http://www.download.phoenixcontact.com>
Please note that the data given here has been taken from the online catalog. For comprehensive information and data, please refer to the user documentation. The General Terms and Conditions of Use apply to Internet downloads.

Technical data

General data

Nominal current I_N	4 A
Nominal voltage U_N	250 V
Number of positions	4

Volume resistance	$\leq 3 \text{ m}\Omega$
Insulation resistance	$\geq 100 \text{ M}\Omega$
Length of cable	0.5 m
Ambient temperature (operation)	-25 °C ... 85 °C (plug/socket)

General characteristics

Coding	A - standard
Surge voltage category	II
Pollution degree	3
Degree of protection	IP67
Contact material	CuZn
Contact surface material	Au
Contact carrier material	PA66 GF
Material, knurls	Zinc die-cast, (nickel-plated)
Sealing material	NBR
Mounting type	Front mounting M16 x 1.5 With locking nut
Type of connection	Individual wires
Status display	No

Conductor data

Cable type	TPE litz wire
Conductor cross section	0.34 mm ²
AWG signal line	22
Conductor structure, signal line	7x 0.25 mm
Core diameter including insulation	1.2 mm \pm 0.07 mm
Thickness, insulation	0.21 mm
Wire colors	Black, brown, blue, white
Insulation resistance	$\geq 20 \text{ M}\Omega \cdot \text{km}$
Conductor resistance	$\leq 57.6 \text{ m}\Omega/\text{m}$
Nominal voltage, conductor	300 V
Test voltage, conductor	2000 V AC
Material conductor insulation	TPE
Conductor material	Tin-plated Cu litz wires

Certificates / Approvals



Certification CUL, GOST, UL

CUL

Nominal voltage U_N	300 V
Nominal current I_N	4 A

UL

Nominal voltage U_N	300 V
Nominal current I_N	4 A

Accessories

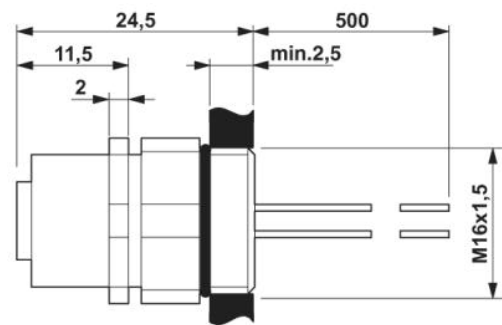
Item	Designation	Description
------	-------------	-------------

Assembly

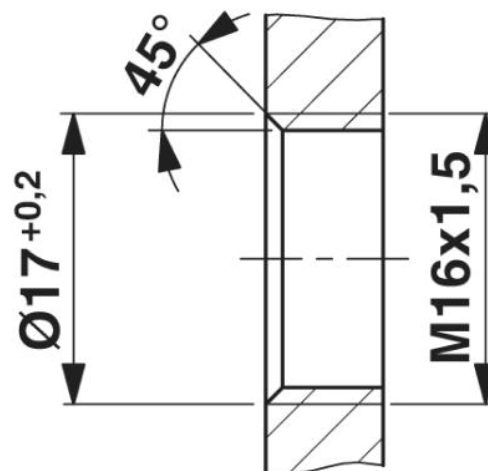
1504097	SACC-E-MU-M16	Flat nut with M16 thread
---------	---------------	--------------------------

Diagrams/Drawings

Dimensioned drawing

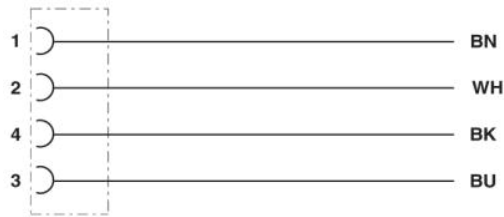


M12 flush-type connector



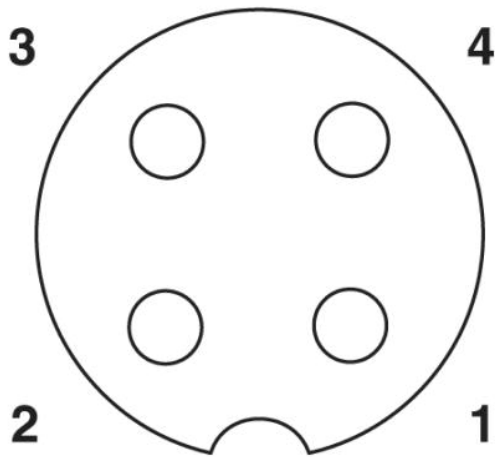
Housing cutout for M16 fastening thread, mounting panel with thread

Circuit diagram



Contact assignment of the M12 plug and the M12 socket

Schematic diagram



Pin assignment M12 socket, 4-pos., A-coded, view female side

Address

PHOENIX CONTACT Deutschland GmbH
Flachmarktstr. 8
32825 Blomberg, Germany
Phone +49 5235 3 12000
Fax +49 5235 3 41200
<http://www.phoenixcontact.de>



© 2010 Phoenix Contact
Technical modifications reserved;