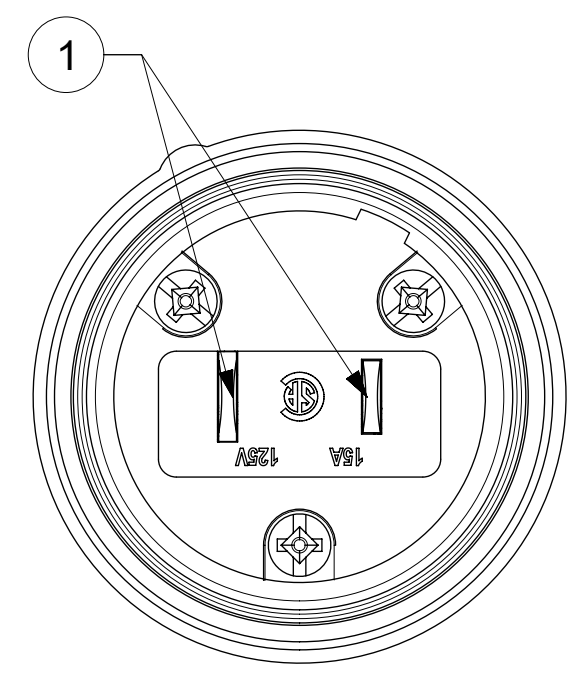
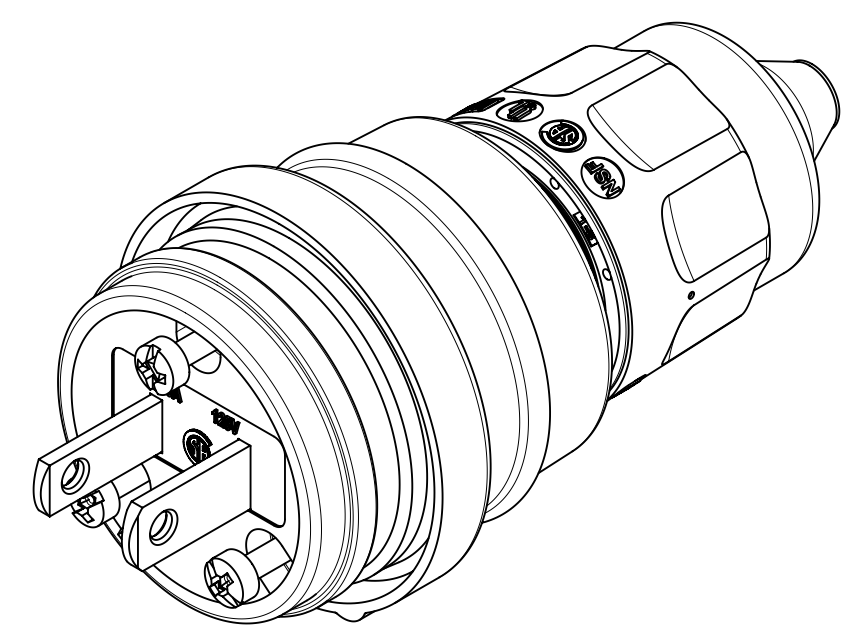
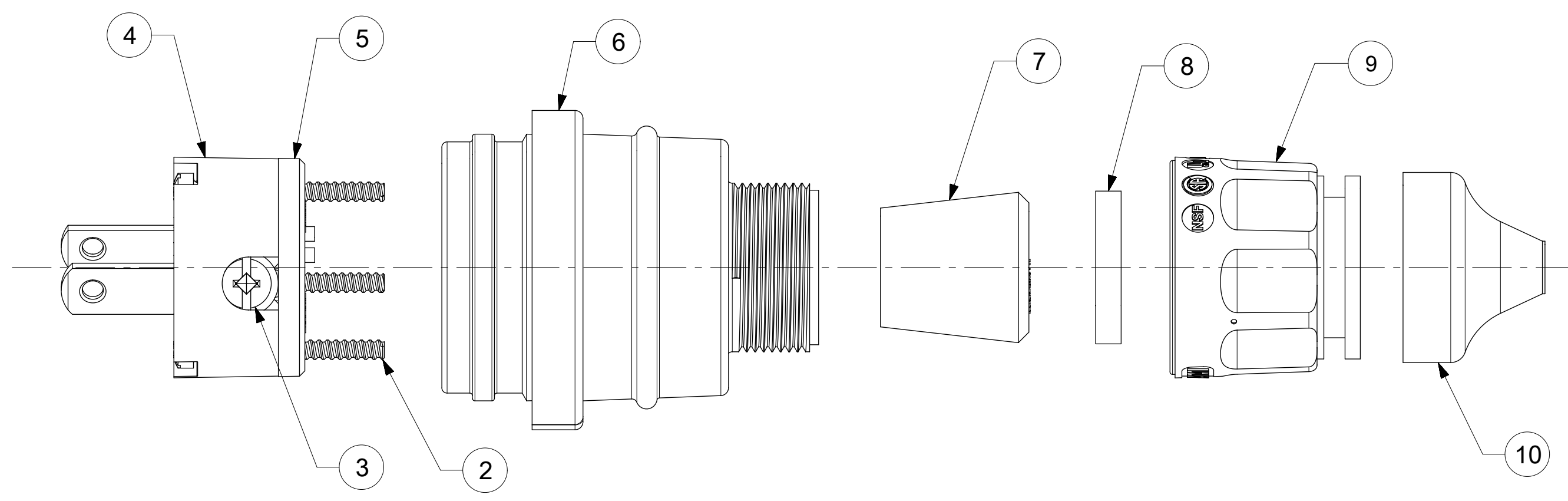
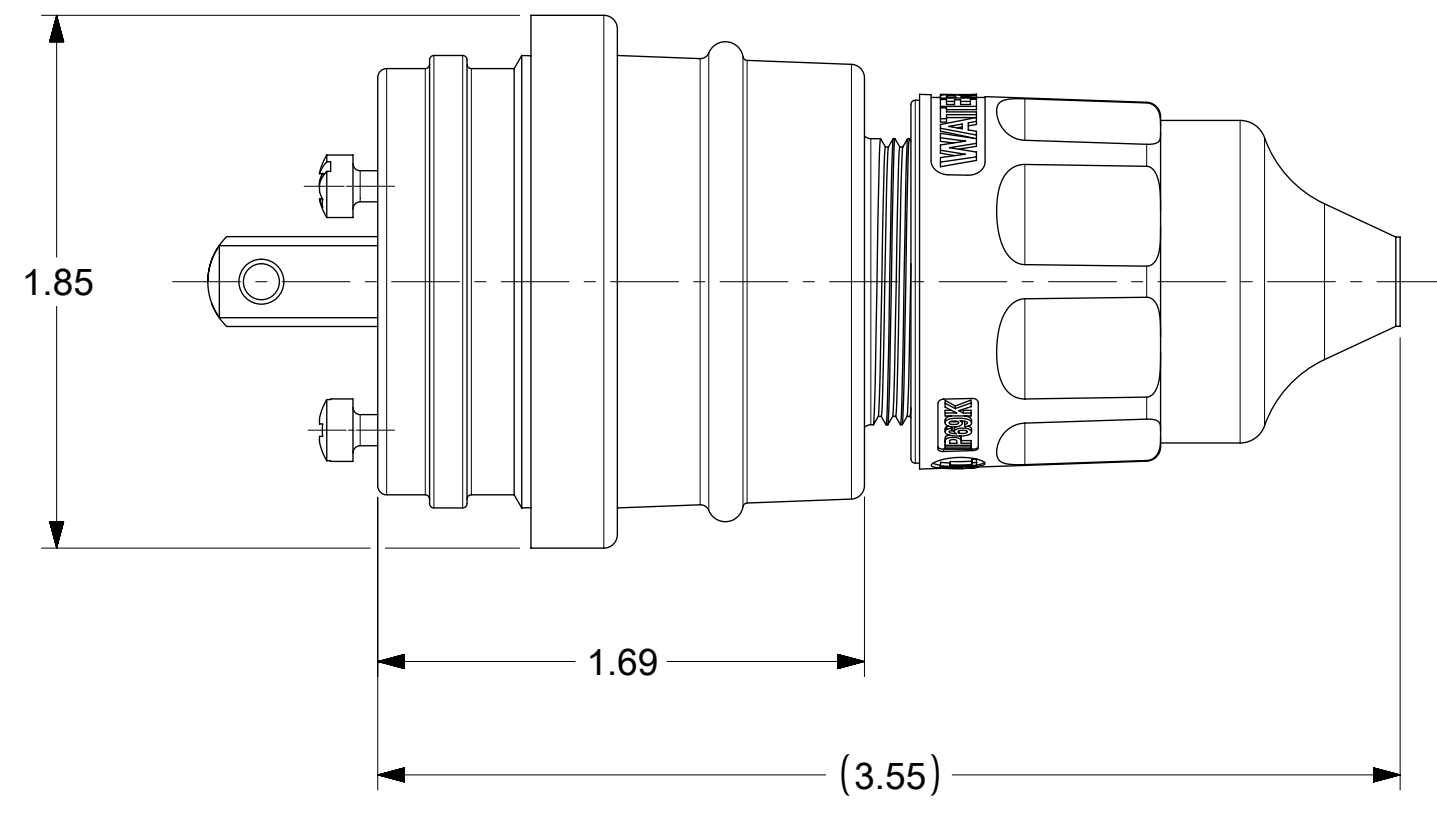


ORDER NO.	WOODHEAD NO.	COLOR
130146-0021	14W19	YELLOW



FACE VIEW



NOTES:
 1. SEE INSTRUCTION SHEET NUMBER 1301414770 FOR PRODUCT SPECIFICATION.
 2. CABLE RANGE FROM 0.375" TO 0.625"

ITEM NO.	DESCRIPTIONS	MATERIAL	QTY.
1	BLADES	BRASS	2
2	RETAINING SCREWS	STAINLESS STEEL	3
3	TERMINAL SCREWS	BRASS, ZINC PLATED	2
4	INSERT	NYLON	1
5	TERMINAL COVER	POLYCARBONATE	1
6	HOUSING	SILICONE WITH NYLON THREAD	1
7	GROMMETS	RUBBER	5
8	FRICTION RING	NYLON	1
9	COMPRESSION NUT	NYLON	1
10	CABLE GLOVE	SILICONE	1

DOCUMENT STATUS	P1	RELEASE DATE	2019/03/21 14:47:57
-----------------	----	--------------	---------------------

THIS DRAWING CONTAINS INFORMATION THAT IS PROPRIETARY TO MOLEX ELECTRONIC TECHNOLOGIES, LLC AND SHOULD NOT BE USED WITHOUT WRITTEN PERMISSION			
DIMENSION UNITS	SCALE	CURRENT REV DESC:	
INCH	NTS		
GENERAL TOLERANCES (UNLESS SPECIFIED)			
ANGULAR TOL	± 0.5°	EC NO:	613686
4 PLACES	±	DRWN:	VHANDI 2019/03/13
3 PLACES	± 0.005	CHK'D:	DNGUYEN62 2019/03/18
2 PLACES	± 0.01	APPR:	HKNEELAND 2019/03/21
1 PLACE	± 0.02	INITIAL REVISION:	
0 PLACES	±	DRWN:	NVELUSAMY 2018/10/24
		APPR:	HKNEELAND 2019/02/11
DRAFT WHERE APPLICABLE MUST REMAIN WITHIN DIMENSIONS	THIRD ANGLE PROJECTION	DRAWING	SERIES
		C-SIZE	130146
		MATERIAL NUMBER	CUSTOMER
		SEE TABLE	GENERAL MARKET
		DOC TYPE	DOC PART
		PSD	000
		REVISION	A1
		SHEET NUMBER	1 OF 1



WATERTITE PLUG, 1-15P

PRODUCT CUSTOMER DRAWING

1301460021

PSD 000 A1

SEE TABLE GENERAL MARKET 1 OF 1