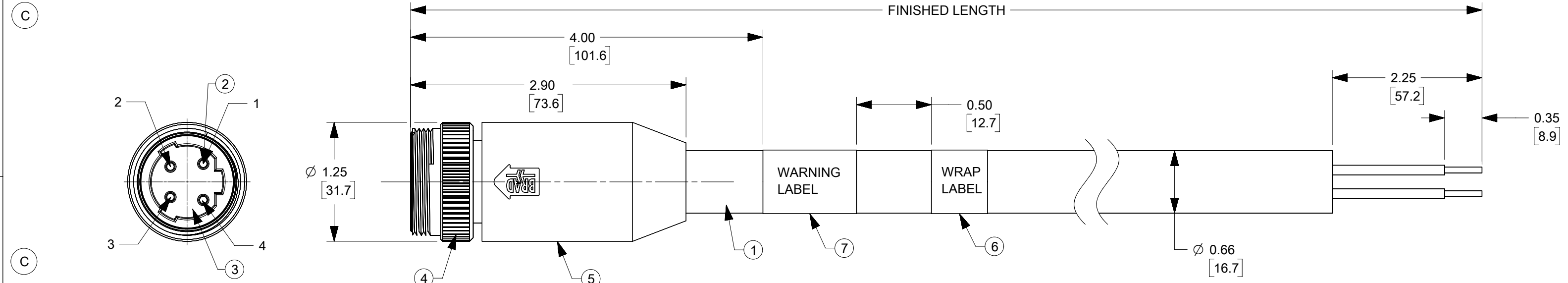


| PART NO. | ENGINEERING NO. | FINISHED LENGTH | CABLE CODE | CABLE COLOR | CABLE TYPE |
|------------|-----------------|-----------------|------------|-------------|------------|
| 1300611119 | 304T06K09M005A3 | .5M (19.7") | K09 | YELLOW | STATIC |
| 1300611063 | 304T06K26M020A3 | 2.0M (78.7") | K26 | BLACK | STATIC |
| 1300611064 | 304T06K26M040A3 | 4.0M (157.5") | K26 | BLACK | STATIC |
| 1300611065 | 304T06K26M060A3 | 6.0M (236.2") | K26 | BLACK | STATIC |
| 1300610297 | 304T06K36M020A3 | 2.0M (78.7") | K36 | BLACK | FLEX |

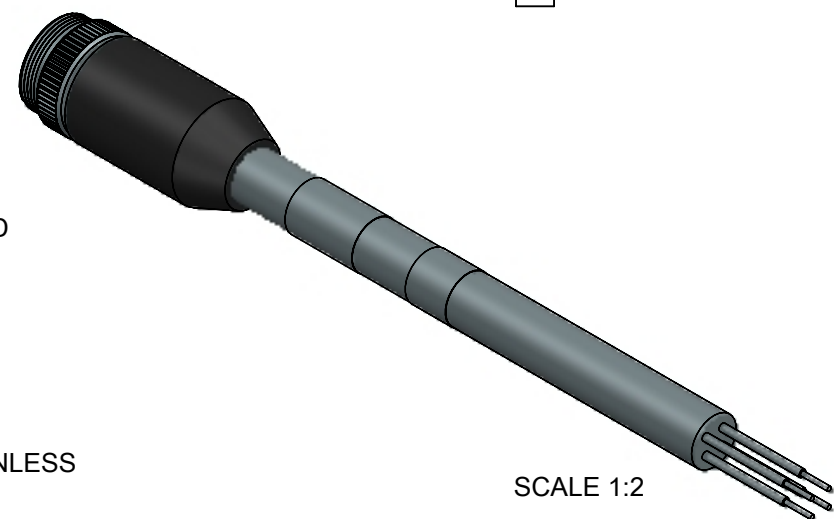


NOTE:

- MATERIAL: SEE TABLE
- FINISHES: SEE TABLE
- FLAG LABEL IS MARKED WITH PART No., DATE CODE, VOLTAGE AND AMPERAGE
- ELECTRICAL DATA
POLE: 4
MAX. VOLTAGE: IEC60664 500V
UL2237 600V
MAX. CURRENT: 25A
- ENVIRONMENTAL
PROTECTION: IP67 (WHEN MATED)
TEMPERATURE RATING: -20C TO 90C
- PACKAGING:
ASSEMBLIES ARE BAGGED SEPARATELY IN POLY BAGS WITH BAR CODE LABEL ATTACHED TO OUTSIDE OF BAG
- ASSEMBLY IS RoHS COMPLIANT
- UL LISTED FILE
CABLE TYPE K09/K26 - E258922
CABLE TYPE K36 - PENDING
- MATING THREAD: 1 1/8-16 UN
- DIMENSIONS SHOWN ARE FOR REFERENCE UNLESS TOLERANCED OR NOTED OTHERWISE

WIRING DIAGRAM

| | |
|---|--------------|
| 1 | BLACK#1 |
| 2 | BLACK#2 |
| 3 | BLACK#3 |
| 4 | GREEN/YELLOW |



SCALE 1:2

CABLE LENGTH TOLERANCES

| |
|--|
| <.3M [1FT]: +19mm-0 [+ .75in-0] |
| .3 - .9M [1 - 3FT]: +44.5mm-0 [+1.75in-0] |
| .9 - 1.8M [3 - 6FT]: +55.6mm-0 [+2.19in-0] |
| 1.8 - 3.7M [6 - 12FT]: +88.9mm-0 [+3.50in-0] |
| 3.7 - 7.3M [12 - 24FT]: +165.1mm-0 [+6.50in-0] |
| 7.3-14.6M [24 - 48FT]: +317.5mm-0 [+12.50in-0] |
| 14.6 - 30.5M [48-100FT]: +622.3mm-0 [+24.50in-0] |
| OVER 30M [100FT] +2% OF FINISHED LENGTH |

PART NUMBER MATRIX

304T06K26M005A3

CABLE TYPE
12/4C AWG TYPE
SHIELDED

FINISH LENGTH
M005 = 0.5 METER
M010 = 1 METER
M100 = 10 METER

| ITEM | DESCRIPTION | MATERIAL | FINISH |
|------|--------------------|------------------------|-----------------|
| 7 | WARNING LABEL | VINYL | MULTI COLOR |
| 6 | WRAP LABEL | VINYL | YELLOW |
| 5 | OVER MOLD | TPE | GRAY |
| 4 | MALE COUPLING NUT | BRASS | NICKEL PLATED |
| 3 | 4P MALE INSERT | TPE | BLACK |
| 2 | PIN CONTACT | BRASS | GOLD PLATED |
| 1 | 12/4C AWG SHIELDED | TPE JACKET, XLPE INSUL | SEE CABLE CHART |

| | | | |
|--------------------|--|---|--|
| FUNCTIONAL SYMBOLS | | THIS DRAWING CONTAINS INFORMATION THAT IS PROPRIETARY TO MOLEX ELECTRONIC TECHNOLOGIES, LLC AND SHOULD NOT BE USED WITHOUT WRITTEN PERMISSION | |
| ∇ = 0 | DIMENSION UNITS | SCALE | CURRENT REV DESC: ADDED PART NUMBER TO PN TABLE, UPDATED NOTES |
| ∇ = 0 | INCH | 1:1 | |
| ∇ = 0 | GENERAL TOLERANCES (UNLESS SPECIFIED) | | |
| | ANGULAR TOL ± ° | | |
| | 4 PLACES | ± | |
| DIVISIONAL SYMBOLS | 3 PLACES | ± | |
| | 2 PLACES | ± | |
| | 1 PLACE | ± | |
| | 0 PLACES | ± | |
| | DRAFT WHERE APPLICABLE MUST REMAIN WITHIN DIMENSIONS | | |
| | THIRD ANGLE PROJECTION | DRAWING | SERIES |
| | | B-SIZE | 130061 |
| EC NO: 656902 | | DRWN: ALEON01 | 2021/02/18 |
| CHK'D: MZIELINSKI | | 2021/06/25 | |
| APPR: BWOODMAN | | 2021/07/16 | |
| INITIAL REVISION: | | | |
| DRWN: TWOLDEGEBRIE | | 2016/09/29 | |
| APPR: BWOODMAN | | 2016/11/14 | |
| DOCUMENT NUMBER | | DOC TYPE | DOC PART |
| 1300610269 | | PSD | 000 |
| CUSTOMER | | REVISION | |
| | | C | |
| MATERIAL NUMBER | | SHEET NUMBER | |
| | | 1 OF 1 | |