

THIS DRAWING IS UNPUBLISHED. RELEASED FOR PUBLICATION  
 © COPYRIGHT BY TYCO ELECTRONICS CORPORATION. ALL RIGHTS RESERVED.

Loc	DIST	REVISIONS					
FT	0	P	LTR	DESCRIPTION	DATE	DWN	APVD
		1	-		3/2/07	SS	CR

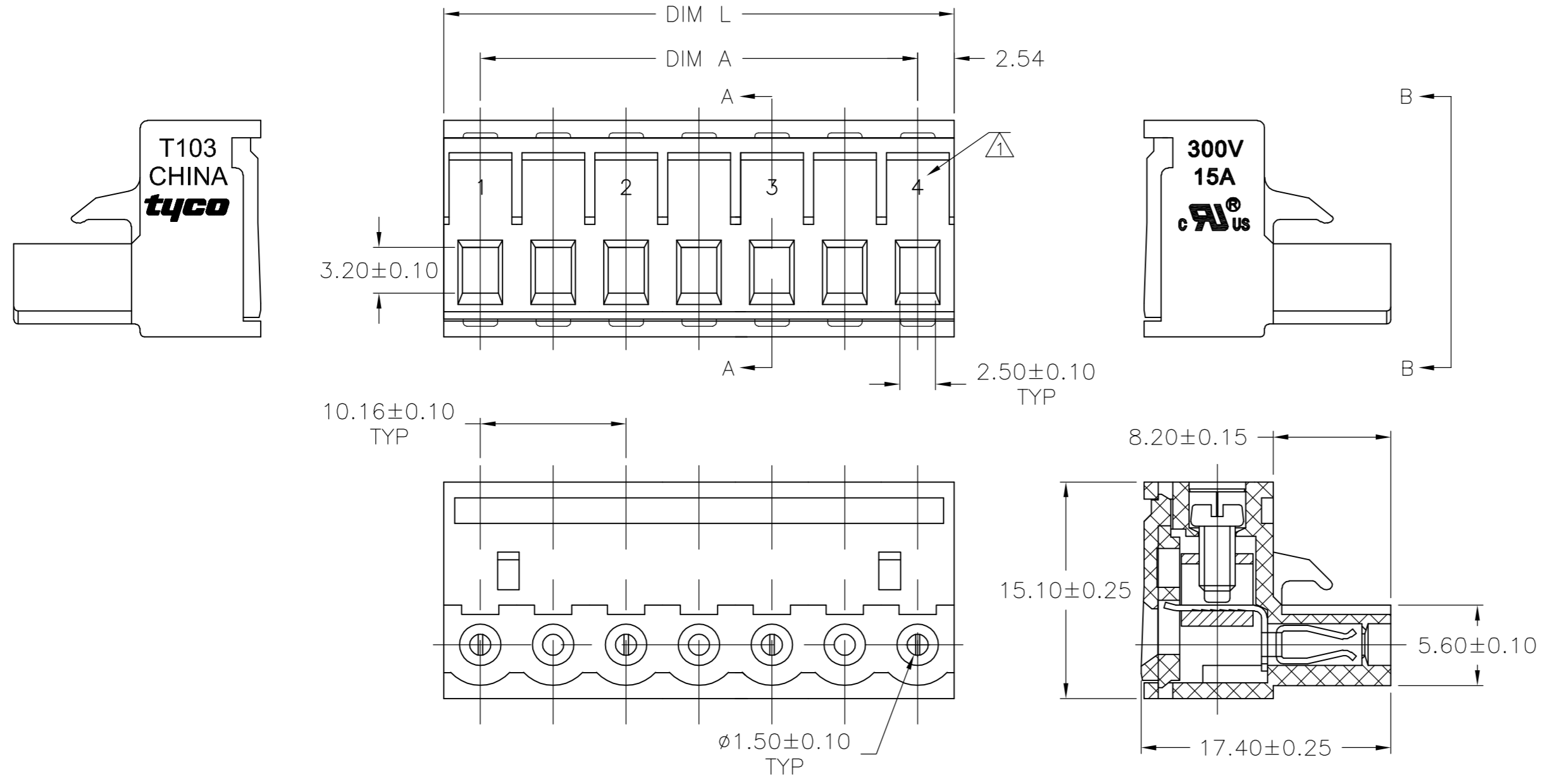
MATERIALS:  
 HOUSING: PA66, UL94V-0, BLACK.  
 SCREWS; M2.5, STEEL, ZINC CHROMATE.  
 CAGE: BRASS, NICKEL PLATE.  
 CLAMP: PHOS BRONZE, NICKEL PLATE.

MECHANICAL:  
 TIGHTENING TORQUE: 3.5 IN-LB MAX.

ELECTRICAL:  
 CURRENT: 15A  
 VOLTAGE: 300V  
 WITHSTAND VOLTAGE: AC1500V/ 1MIN  
 INSULATION RESISTANCE: 5000Mohm/1000V  
 WIRE RANGE: 12-28 AWG

ENVIRONMENTAL:  
 OPERATING TEMP.: -40° TO +105°C  
 MAX SOLDERING: +250°C, 5 SECONDS

⚠ MARKED WITH WHITE PERMANENT INK.



THIS PRINT IS  
**PRELIMINARY**  
 PRIOR TO CUSTOMER ORDER  
 CONTACT PRODUCT ENGINEERING  
 BEFORE USING THIS PRINT

SEE FIGURE	35.56±0.30	30.48±0.30	4	1-1776988-4
NOTES	DIM L	DIM A	NO OF POSN	PART NUMBER

THIS DRAWING IS A CONTROLLED DOCUMENT.		DWN	S SCHLEGEL	02MAR2007	Tyco Electronics Corporation Harrisburg, PA 17105-3608
DIMENSIONS: mm		CHK	C RICHARD	3/2/07	
TOLERANCES UNLESS OTHERWISE SPECIFIED:		APVD	C RICHARD	3/2/07	
0 PLC ± - 1 PLC ± - 2 PLC ± - 3 PLC ± - 4 PLC ± - ANGLES ± 1° FINISH -		PRODUCT SPEC	NAME		
MATERIAL		WEIGHT	A2 00779 C=1776988		RESTRICTED TO
CUSTOMER DRAWING		SCALE	NTS	SHEET	1 of 1
		REV	1		

1776988