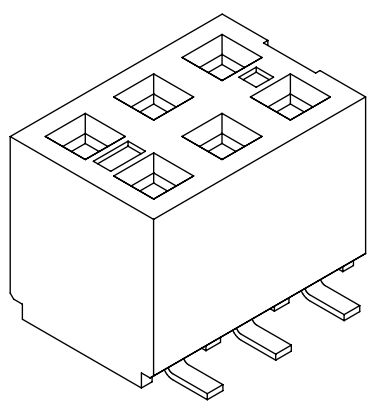
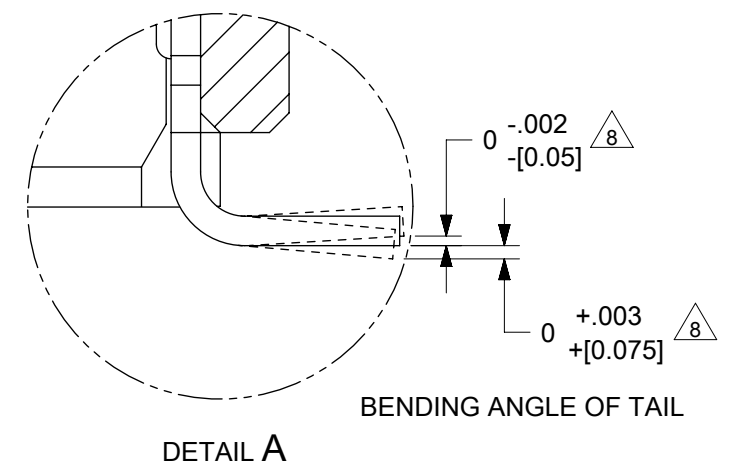
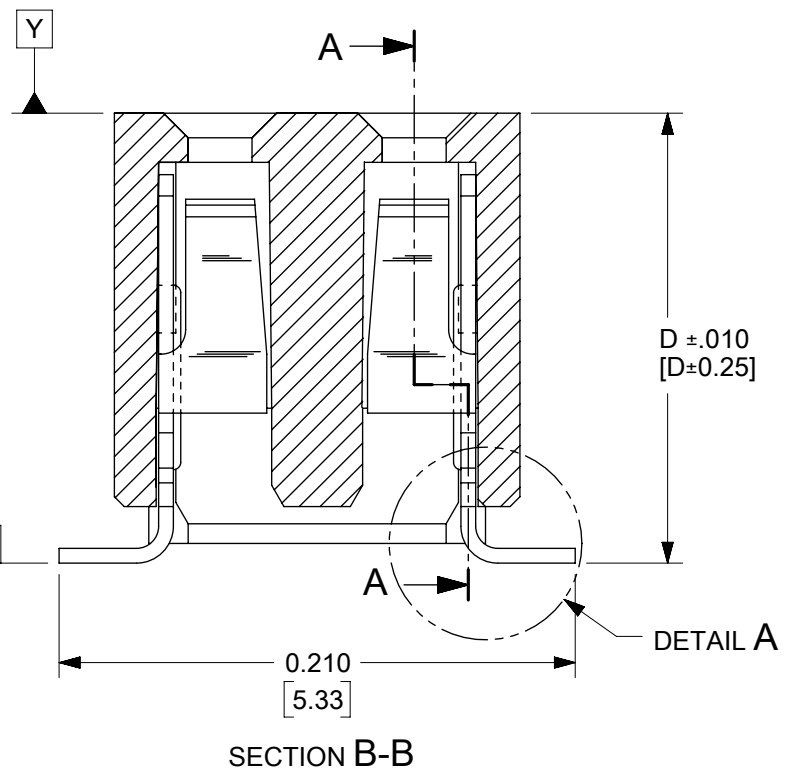
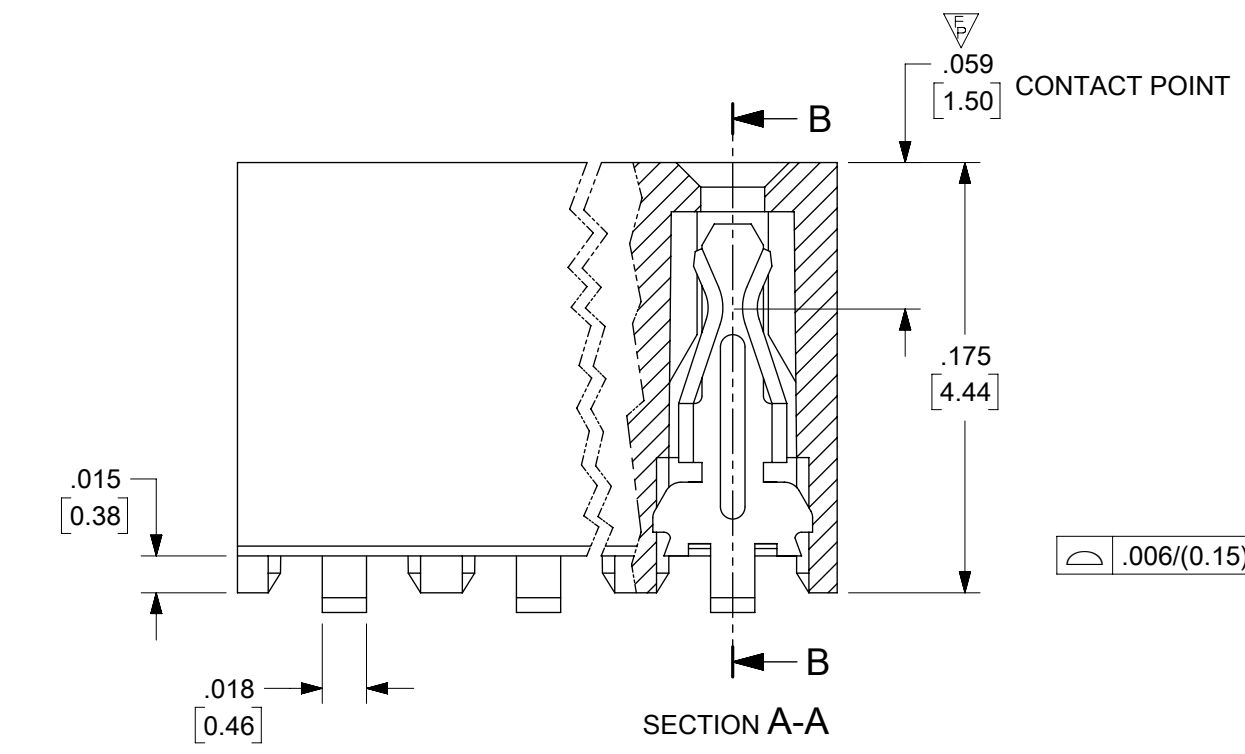


- NOTES:**
- HOUSING MATERIAL:
LCP, GLASS FILLED, UL 94V-0
COLOUR BLACK.
 - TERMINAL MATERIAL:
PHOSPHOR BRONZE
 - SEE APPROPRIATE SHEET FOR CIRCUIT SIZE,
PART NUMBERS AND OVERALL DIMENSIONS.
 - 6 CKT WITHOUT CAP ASSY IS SHOWN FOR ILLUSTRATION ONLY.
 - REFER TO PRODUCT SPEC PS-79107.
 - TAPE PACKAGING PER PK-70873-0259
 - CKT LOCATIONS ARE NUMBERED FROM LEFT TO
RIGHT WHEN VIEWING ASSY FROM TOP WITH
THE GATE RECESS ON THE RIGHT AS SHOWN.
 - MEASUREMENT IS TAKEN BETWEEN THE TANGENT OF
THE TOE TO TIP OF THE TERMINAL.

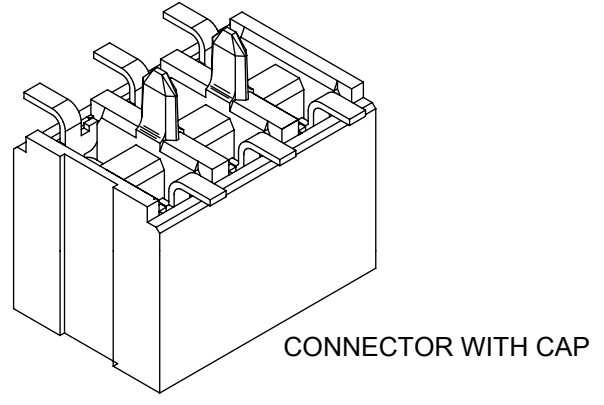
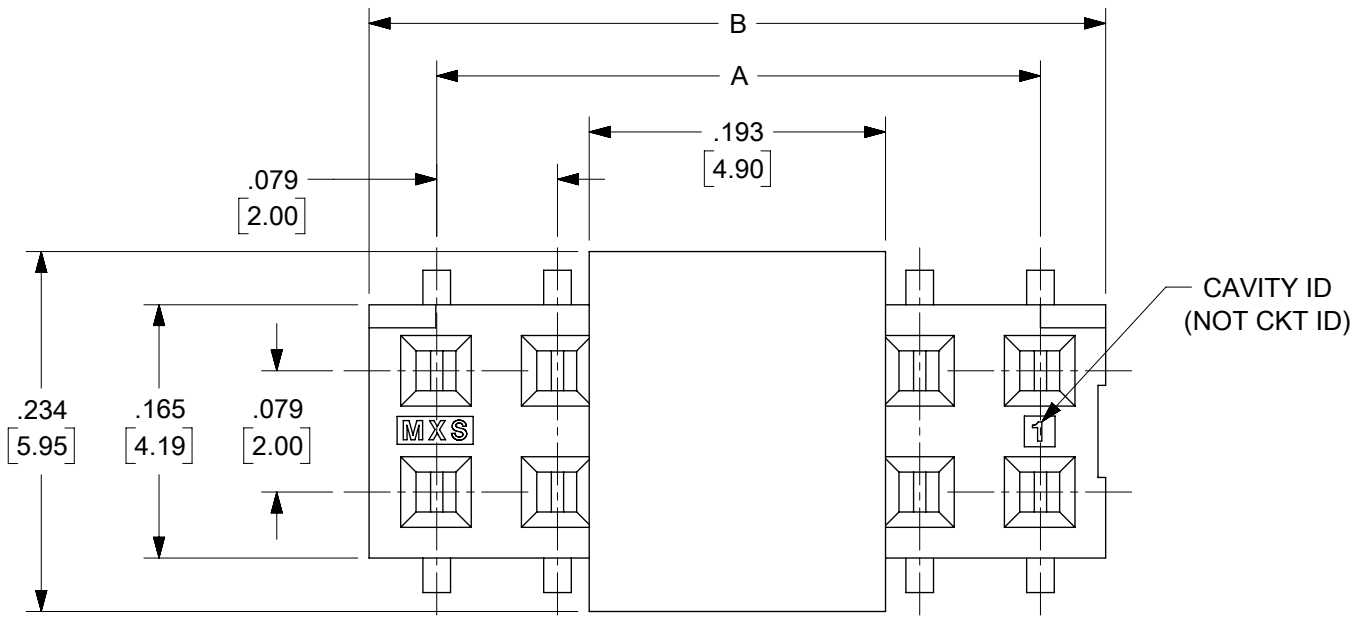
RECOMMENDED PCB PAD LAYOUT

PLATING OPTION:

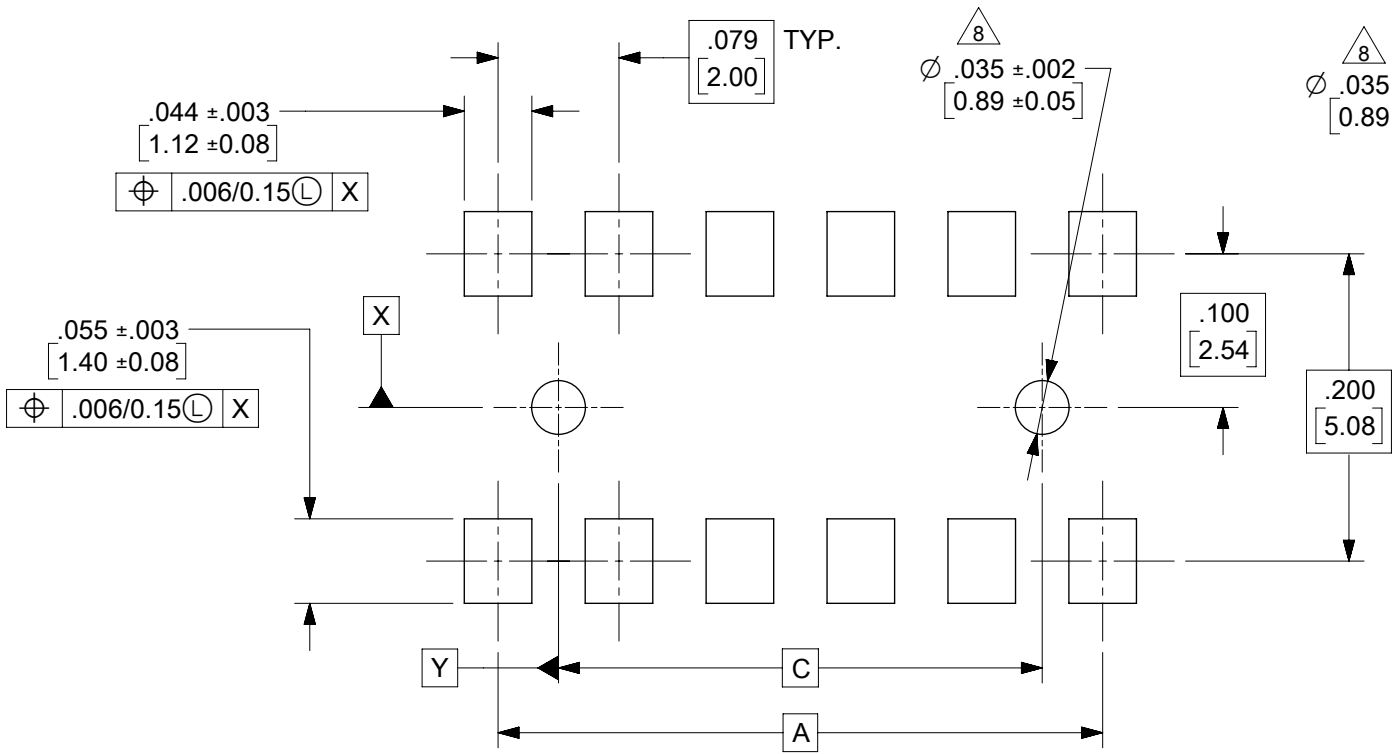
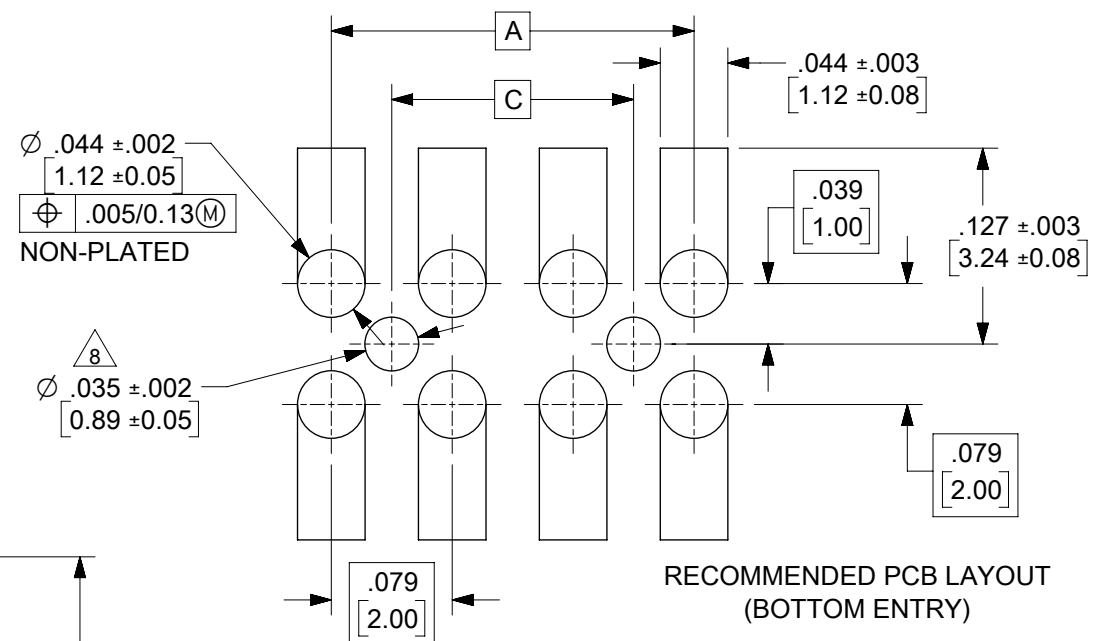
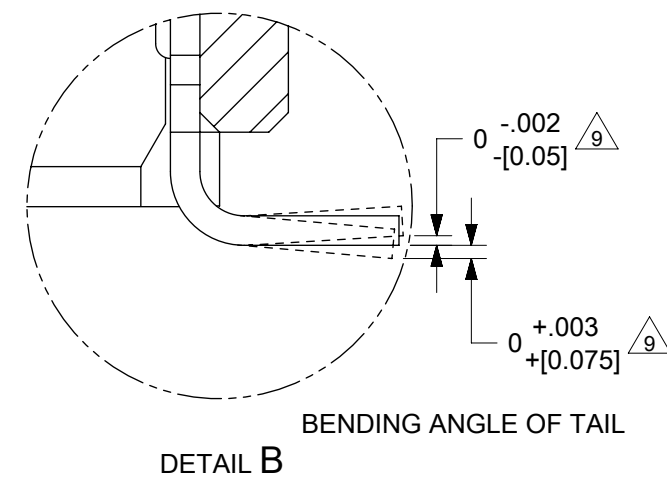
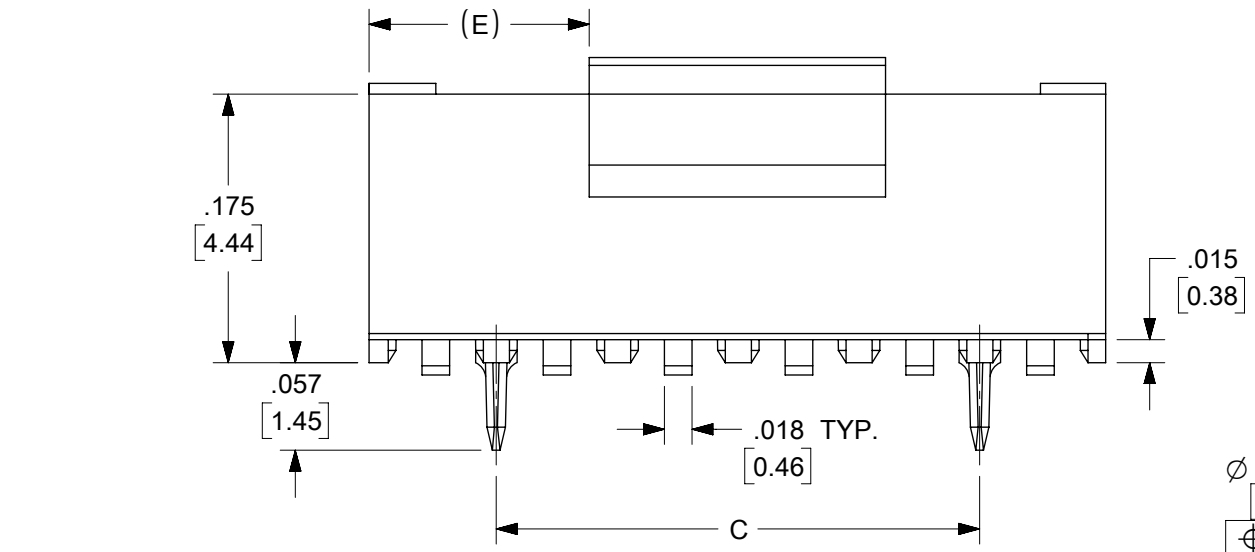
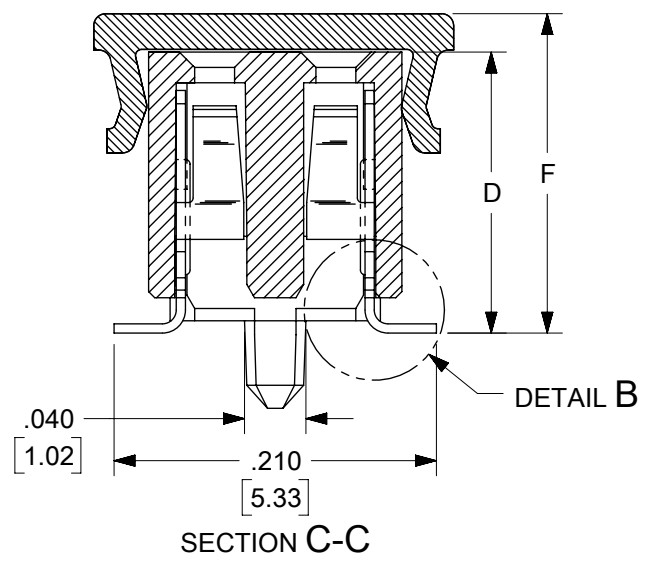
- 30µ" (0.75µm) MIN. GOLD PLATE IN SELECTED AREA AND
75µ" (1.88µm) MIN. TIN PLATE IN SELECTED AREA OVER
50µ" (1.25µm) MIN. NICKEL OVERALL.
- 15µ" (0.38µm) MIN. GOLD PLATE IN SELECTED AREA AND
75µ" (1.88µm) MIN. TIN PLATE IN SELECTED AREA OVER
50µ" (1.25µm) MIN. NICKEL OVERALL.
- 5µ" (0.13µm) MIN. GOLD PLATE IN SELECTED AREA AND
75µ" (1.88µm) MIN. TIN PLATE IN SELECTED AREA OVER
50µ" (1.25µm) MIN. NICKEL OVERALL.



SYMBOLS	THIS DRAWING CONTAINS INFORMATION THAT IS PROPRIETARY TO MOLEX ELECTRONIC TECHNOLOGIES, LLC AND SHOULD NOT BE USED WITHOUT WRITTEN PERMISSION		CURRENT REV DESC:		molex
	mm	NTS			
▽ = 0	GENERAL TOLERANCES (UNLESS SPECIFIED)		EC NO: 716564		2MM DUAL ROW VERTICAL RECEPTACLE, SMT
▽ = 0			DRWN: DANUSA 2022/08/02		
▽ = 0			CHK'D: DANUSA 2022/08/03		PRODUCT CUSTOMER DRAWING
▽ = 0			APPR: MRAMAKRISHNA 2022/08/03		
▽ = 0			INITIAL REVISION:		DOCUMENT NUMBER SD-79109-006
▽ = 0			DRWN: DRWN BY XXXX/XX/XX		
▽ = 0			APPR: APPR BY XXXX/XX/XX		DOC TYPE PSD
▽ = 0			DRAFT WHERE APPLICABLE MUST REMAIN WITHIN DIMENSIONS		DOC PART 001
▽ = 0			THIRD ANGLE PROJECTION		REVISION A11
▽ = 0			DRAWING A3-SIZE		SHEET NUMBER 1 OF 5
▽ = 0			SERIES 79109		CUSTOMER GENERAL MARKET



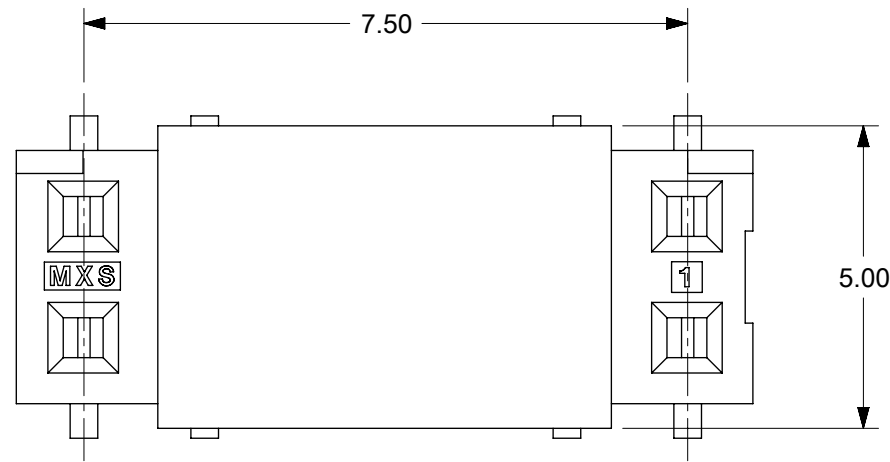
- NOTES:
- HOUSING MATERIAL : GLASS FILLED HIGH TEMP. THERMOPLASTIC. COLOR: BLACK.
 - TERMINAL MATERIAL: PHOSPHOR BRONZE
 - SEE APPROPRIATE SHEET FOR CIRCUIT SIZE, PART NUMBERS AND OVER-ALL DIMENSIONS.
 - FOR ILLUSTRATION, 6 & 12 CIRCUIT ASSEMBLY SHOWN.
 - REFER TO PRODUCT SPECIFICATION PS-79107.
 - TAPE PACKAGING PER PK-70873-0259.
 - SEE PSX-79107 FOR SUGGESTED BOTTOM ENTRY PIN LENGTHS.
 - .035 DIA. FOR PRESS FIT ONLY. USE .039±0.002 FOR ALIGNMENT PURPOSES ON PICK AND PLACE.
- △ MEASUREMENT IS TAKEN BETWEEN THE TANGENT OF THE TOE TO TIP OF THE TERMINAL.



THIS DRAWING CONTAINS INFORMATION THAT IS PROPRIETARY TO MOLEX ELECTRONIC TECHNOLOGIES, LLC AND SHOULD NOT BE USED WITHOUT WRITTEN PERMISSION											
SYMBOLS	DIMENSION UNITS		SCALE		CURRENT REV DESC:						
	mm	NTS									
GENERAL TOLERANCES (UNLESS SPECIFIED)											
▽ = 0	4 PLACES ±		MM	INCH	EC NO: 716564						
▽ = 0	3 PLACES ±				DRWN: DANUSA 2022/08/02						
▽ = 0	2 PLACES ±	0.25 ±			CHK'D: DANUSA 2022/08/03						
▽ = 0	1 PLACE ±	0.38 ±			APPR: MRAMAKRISHNA 2022/08/03						
▽ = 0	0 PLACES ±				INITIAL REVISION:						
▽ = 0	ANGULAR TOL	± 3.0°			DRWN: DRWN BY XXXX/XX/XX						
▽ = 0	DRAFT WHERE APPLICABLE MUST REMAIN WITHIN DIMENSIONS		THIRD ANGLE PROJECTION		DRAWING		SERIES		MATERIAL NUMBER		
				A3-SIZE		79109		CUSTOMER			
DOCUMENT STATUS					P1		RELEASE DATE		2022/08/03 09:02:57		
DOCUMENT NUMBER					DOC TYPE		DOC PART		REVISION		
SD-79109-006					PSD		001		A11		
GENERAL MARKET									SHEET NUMBER		
									3 OF 5		

PARTS WITH PEG

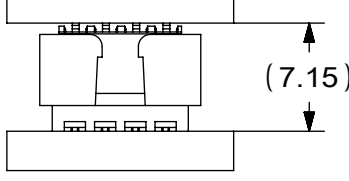
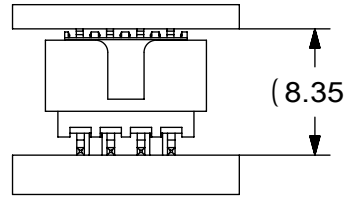
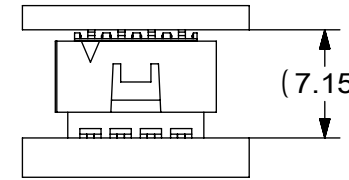
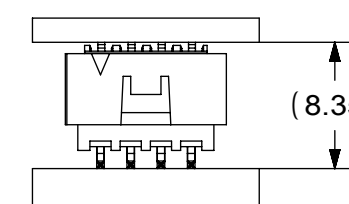
CKT. SIZE	DIM A		DIM B		DIM C		DIM D		DIM E		DIM F		ITEM No.	ASSEMBLY P/N WITH KAPTON TAPE	PLATING OPTION SEE SHEET 1
	INCH	MM	INCH	MM	INCH	MM	INCH	MM	INCH	MM	INCH	MM			
A11 6	.157	(4.00)	.164	(4.19)	.078	(2.00)		(4.65)	--	--			79109-8625	-	2
8	.236	(6.00)	.322	(8.19)	.157	(4.00)	.183	(4.65)	.065	(1.65)			79109-9108	-	1
10	.315	(8.00)	.401	(10.19)	.236	(6.00)	.183	(4.65)	.104	(2.65)	.207	(5.25)	79109-9110	-	2
18	.630	(16.00)	.716	(18.19)	.551	(14.00)	.183	(4.65)	.262	(6.65)			79109-9118	79109-9318	1
26	.945	(24.00)	1.03	(26.19)	.866	(22.00)	.183	(4.65)	.419	(10.64)			79109-9126	-	2



12CKT WITH KAPTON TAPE ILLUSTRATION

SYMBOLS DIMENSION UNITS: mm, NTS SCALE: GENERAL TOLERANCES (UNLESS SPECIFIED) 4 PLACES ± 0.01 3 PLACES ± 0.01 2 PLACES ± 0.25 ± 0.015 1 PLACE ± 0.38 0 PLACES ± 0.015 ANGULAR TOL ± 3.0° DRAFT WHERE APPLICABLE MUST REMAIN WITHIN DIMENSIONS	THIS DRAWING CONTAINS INFORMATION THAT IS PROPRIETARY TO MOLEX ELECTRONIC TECHNOLOGIES, LLC AND SHOULD NOT BE USED WITHOUT WRITTEN PERMISSION		CURRENT REV DESC: EC NO: 716564 DRWN: DANUSA 2022/08/02 CHK'D: DANUSA 2022/08/03 APPR: MRAMAKRISHNA 2022/08/03					
	PRODUCT CUSTOMER DRAWING		INITIAL REVISION: DRWN: DRWN BY XXXX/XX/XX APPR: APPR BY XXXX/XX/XX		DOCUMENT NUMBER SD-79109-006	DOC TYPE PSD	DOC PART 001	REVISION A11
	THIRD ANGLE PROJECTION 	DRAWING A3-SIZE	SERIES 79109	MATERIAL NUMBER GENERAL MARKET	CUSTOMER GENERAL MARKET	SHEET NUMBER 4 OF 5		
	DOCUMENT STATUS: P1 RELEASE DATE: 2022/08/03 09:02:57							

BOARD TO BOARD (BTB) DISTANCE

RECEPTACLE	MATES WITH(HEADER)	BTB DISTANCE	PICTORIAL VIEW
79109	87831	7.15	
	87832	8.35	
	151117	7.15	
	151118	8.35	

SYMBOLS	THIS DRAWING CONTAINS INFORMATION THAT IS PROPRIETARY TO MOLEX ELECTRONIC TECHNOLOGIES, LLC AND SHOULD NOT BE USED WITHOUT WRITTEN PERMISSION		CURRENT REV DESC:		molex			
	GENERAL TOLERANCES (UNLESS SPECIFIED)							EC NO: 716564
	DIMENSION UNITS		SCALE		DRWN: DANUSA 2022/08/02		DOCUMENT NUMBER	
	mm NTS		MM INCH		CHK'D: DANUSA 2022/08/03		SD-79109-006	
4 PLACES ± 0.25 ± 0.015		3 PLACES ± 0.25 ± 0.015		APPR: MRAMAKRISHNA 2022/08/03		DOC TYPE		
2 PLACES ± 0.25 ± 0.015		1 PLACE ± 0.38 ± 0.015		INITIAL REVISION:		DOC PART		
0 PLACES ± 0.25 ± 0.015		ANGULAR TOL ± 3.0°		DRWN: DRWN BY XXXX/XX/XX		REVISION		
DRAFT WHERE APPLICABLE MUST REMAIN WITHIN DIMENSIONS		THIRD ANGLE PROJECTION		APPR: APPR BY XXXX/XX/XX		A11		
		DRAWING		SERIES		SHEET NUMBER		
		A3-SIZE		79109		5 OF 5		