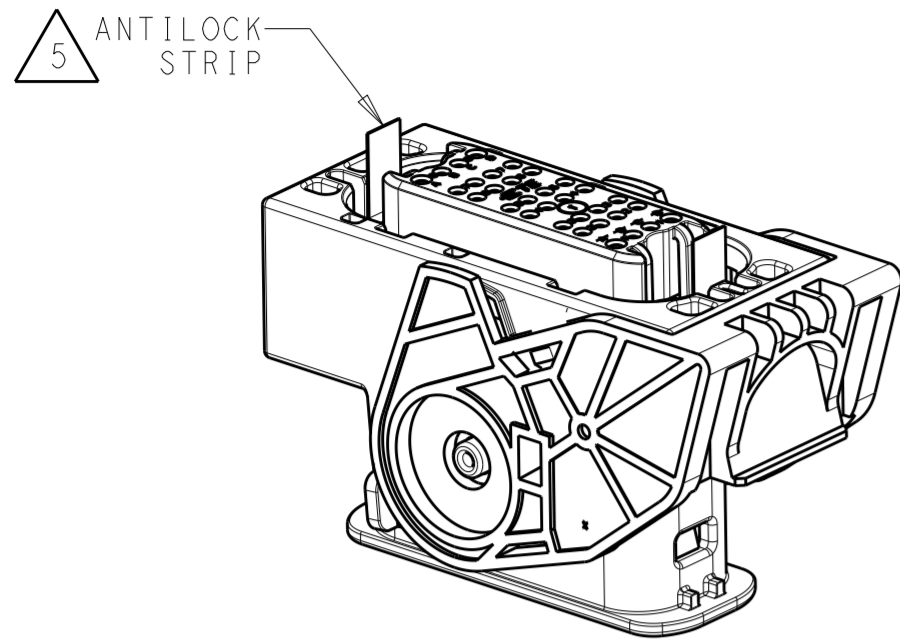
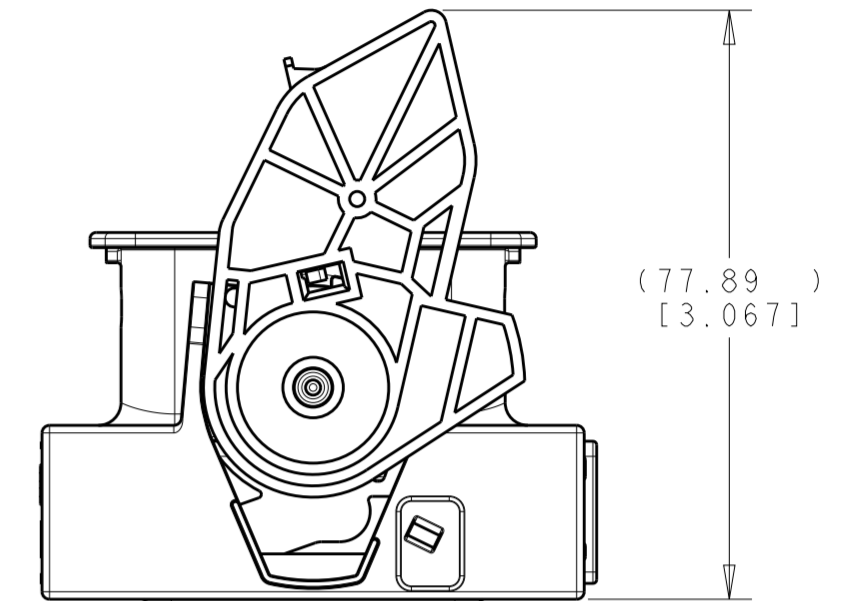
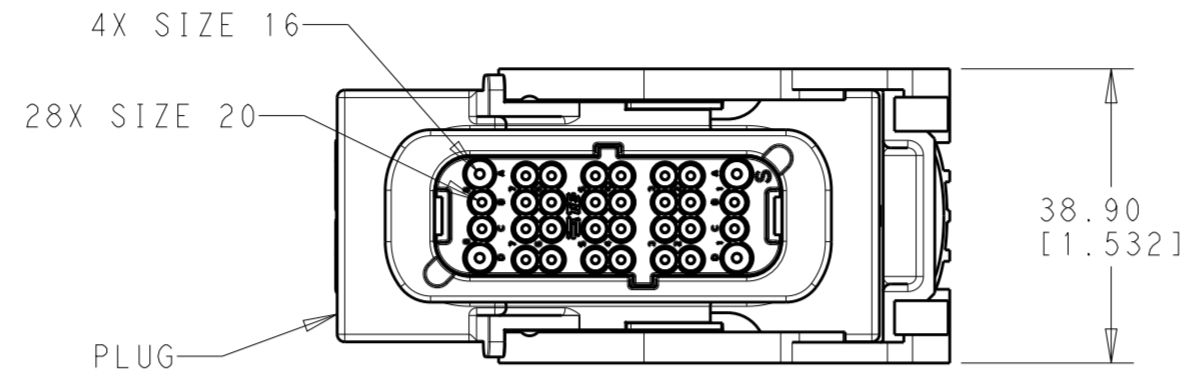


THIS DRAWING IS UNPUBLISHED. RELEASED FOR PUBLICATION 2016  
 © COPYRIGHT 2016 BY TE CONNECTIVITY ALL RIGHTS RESERVED.

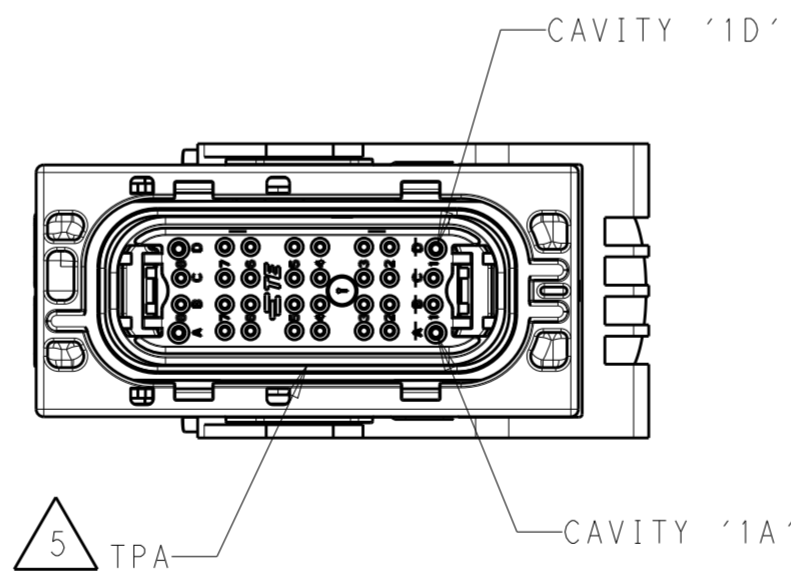
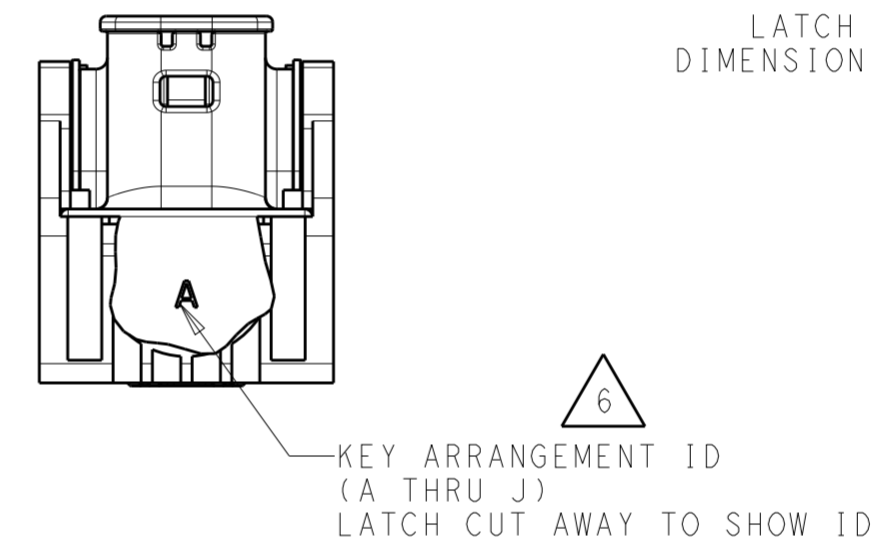
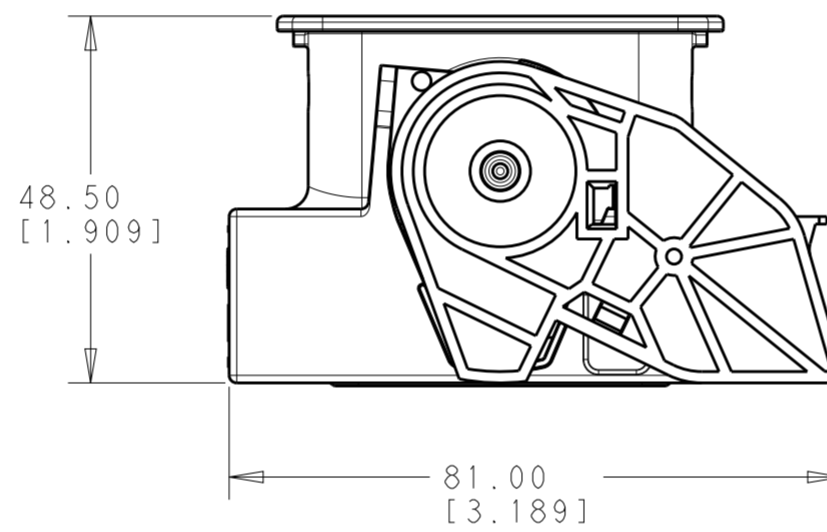
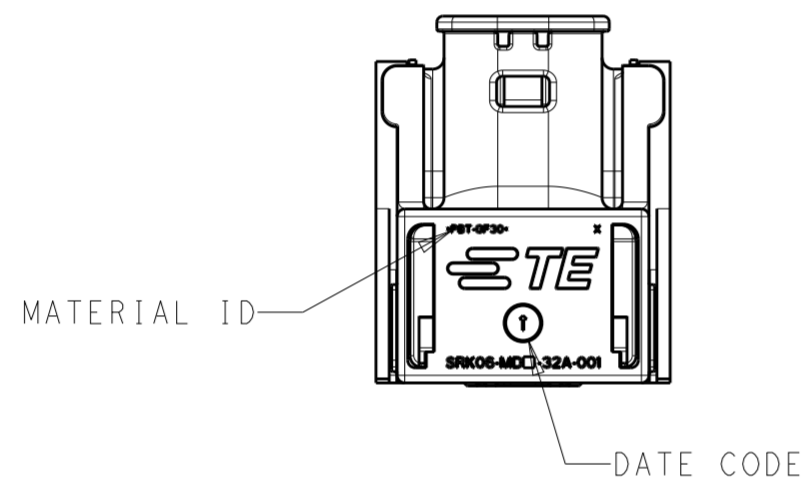
REVISIONS				
P	LTR	DESCRIPTION	DATE	APVD
A		INITIAL RELEASE	28JAN2016	RL DM
A1		REVISED PER ECO-16-007312	12MAY2016	RL DM



TPA SHOWN IN PRE-MOUNTED POSITION AS RECEIVED



LATCH IN OPEN POSITION  
DIMENSION SHOWN FOR REFERENCE



TE INTERNAL PN	DEUTSCH PN
SRK06-MDA-32A-001	SRK06-MDA-32A-001
SRK06-MDB-32A-001	SRK06-MDB-32A-001
SRK06-MDC-32A-001	SRK06-MDC-32A-001
SRK06-MDD-32A-001	SRK06-MDD-32A-001
SRK06-MDE-32A-001	SRK06-MDE-32A-001
SRK06-MDF-32A-001	SRK06-MDF-32A-001
SRK06-MDG-32A-001	SRK06-MDG-32A-001
SRK06-MDH-32A-001	SRK06-MDH-32A-001
SRK06-MDI-32A-001	SRK06-MDI-32A-001
SRK06-MDJ-32A-001	SRK06-MDJ-32A-001

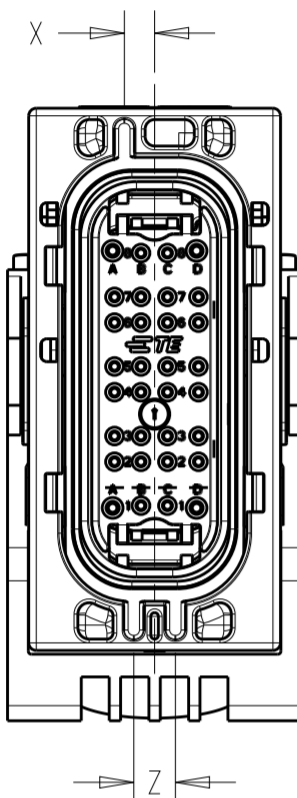
CONTACT SIZE	MIN INSUL OD	MAX INSUL OD	WIRE RANGE REF ONLY
16	1.55 [.061]	3.05 [.120]	2.0-0.5MM <sup>2</sup> 14-20 AWG
20	1.55 [.061]	2.41 [.095]	1.0-0.5MM <sup>2</sup> 16-20 AWG

- 6 SEE SHEET 2 FOR KEY ARRANGEMENTS.
  - 5 TERMINAL POSITION ASSURANCE (TPA) IS SHIPPED INSTALLED IN PRE-MOUNTED POSITION. REMOVE ANTILOCK STRIP PRIOR TO CONTACT INSERTION. USE HOOK STYLE TOOL, SUCH AS DT-RT1, TO REMOVE TPA IF NEEDED.
  - 4. CAVITIES 1A,1D,8A,8D ARE SIZE 16. REMAINING CAVITIES ARE SIZE 20.
  - 3. THE PLUG MATES WITH SRK02-MDX-32A-001-XXXX RECEPTACLE. (X = A THRU J, XXXX = ALL MODIFICATIONS)
  - 2 MATERIAL:  
PLUG, TPA, CAP: PBT GF30 (BLACK)  
LATCH: PBT GF30 (RED)  
CAM: PBT GF30 (YELLOW)  
INTERFACE SEAL: VMQ (GREEN)  
GROMMET: VMQ (RED-ORANGE)
  - 1 DIMENSIONAL TOLERANCES: ±0.64 [0.025]
- NOTES: UNLESS OTHERWISE SPECIFIED:

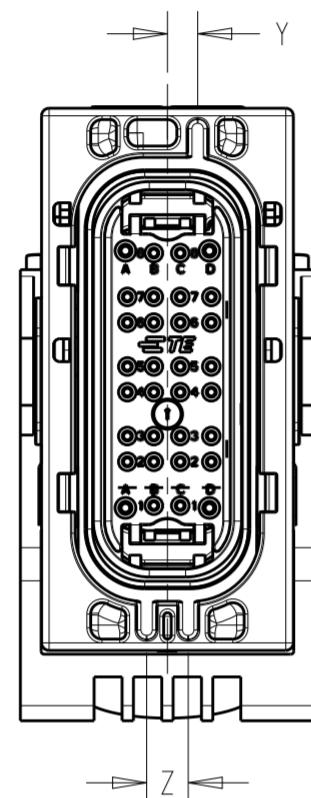
THIS DRAWING IS A CONTROLLED DOCUMENT.		DWN R. LEFFERTS 28JAN2016	TE Connectivity	
DIMENSIONS: mm [INCHES]		CHK D. WHITACRE 28JAN2016		
TOLERANCES UNLESS OTHERWISE SPECIFIED:		APVD D. MEYER 28JAN2016	NAME PLUG 32-PIN (MEDIUM) STRIKE SERIES	
0 PLC ± 1 1 PLC ± 1 2 PLC ± 1 3 PLC ± 1 4 PLC ± 1 ANGLES ± FINISH ±		PRODUCT SPEC	SIZE CAGE CODE DRAWING NO A2 C-SRK06-MDX-32A-001	
MATERIAL		APPLICATION SPEC 0425-015-0000	RESTRICTED TO	
2		WEIGHT 97.9g	SCALE 1:1 SHEET 1 OF 2 REV A1	
		CUSTOMER DRAWING		

REVISIONS				
P	LTR	DESCRIPTION	DATE	APVD
		SEE SHEET 1		

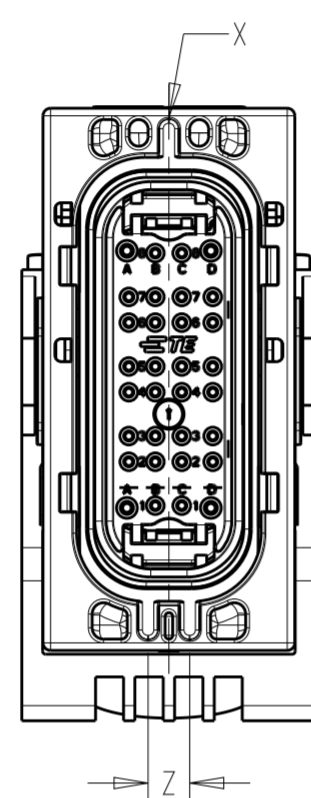
SRK06-MDA-32A-001



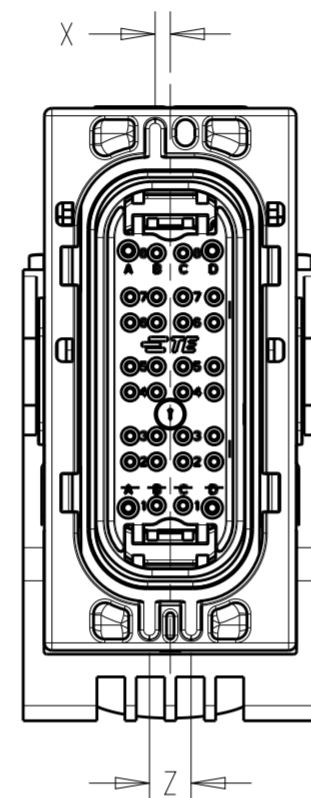
SRK06-MDB-32A-001



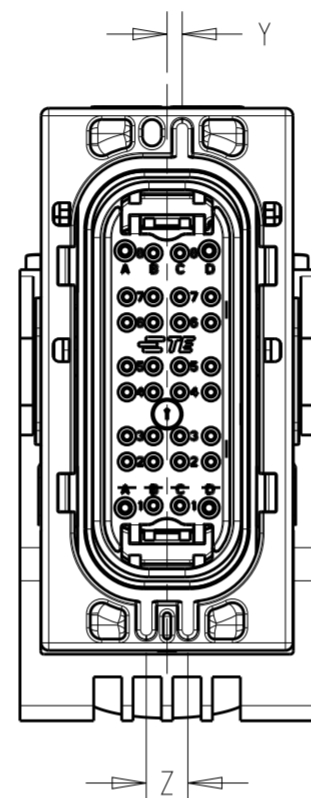
SRK06-MDC-32A-001



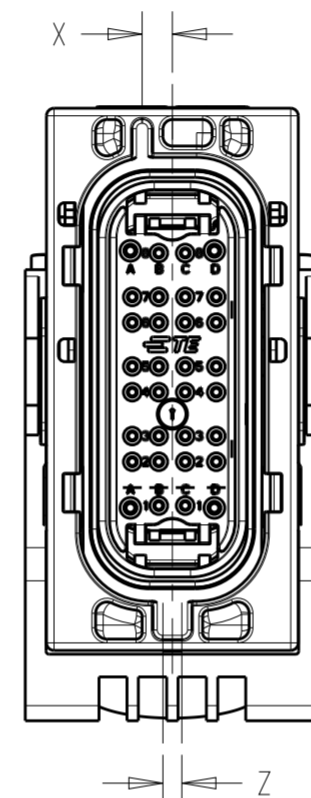
SRK06-MDD-32A-001



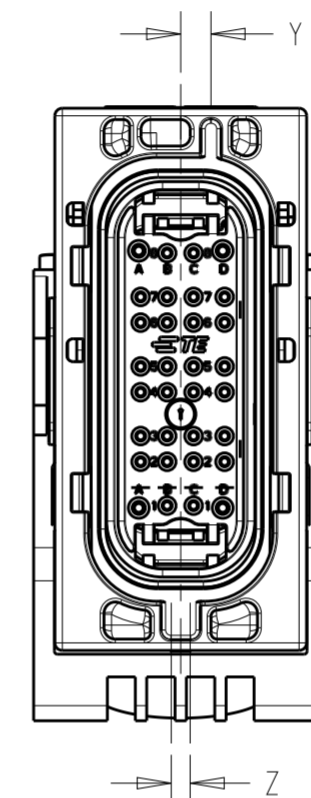
SRK06-MDE-32A-001



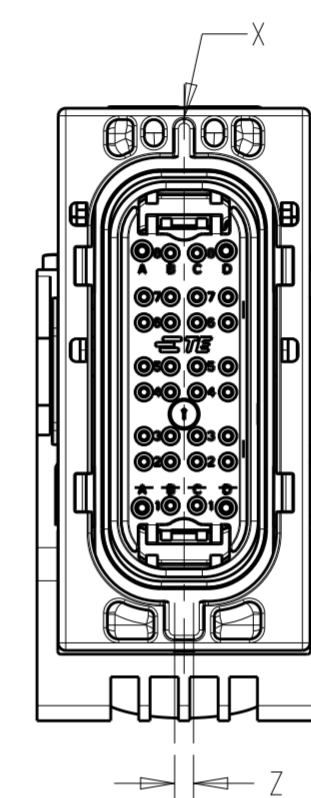
SRK06-MDF-32A-001



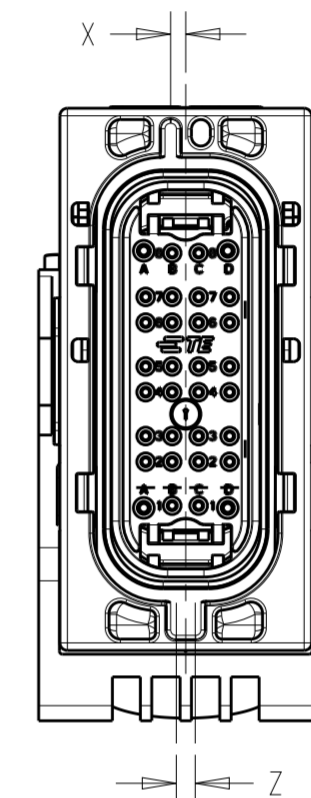
SRK06-MDG-32A-001



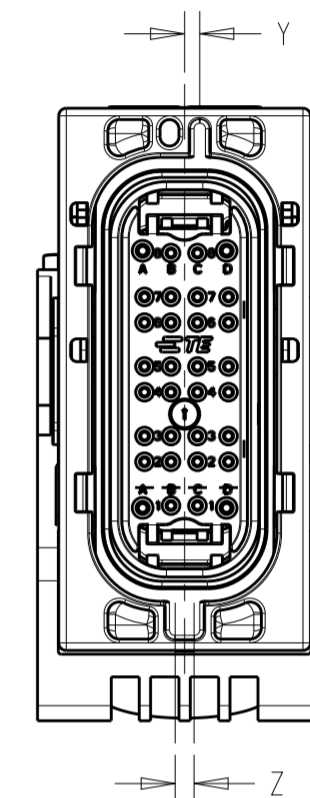
SRK06-MDH-32A-001



SRK06-MDI-32A-001



SRK06-MDJ-32A-001



KEY ARRANGEMENTS:

ARRANGEMENT	X	Y	Z
A	4.00 [.160]	-	5.50 [.220]
B	-	4.00 [.160]	5.50 [.220]
C	0*	-	5.50 [.220]
D	2.00 [.080]	-	5.50 [.220]
E	-	2.00 [.080]	5.50 [.220]
F	4.00 [.160]	-	2.50 [.100]
G	-	4.00 [.160]	2.50 [.100]
H	0*	-	2.50 [.100]
I	2.00 [.080]	-	2.50 [.100]
J	-	2.00 [.080]	2.50 [.100]

\* A ZERO DIMENSION INDICATES A SINGLE KEY IN THE CENTER

THIS DRAWING IS A CONTROLLED DOCUMENT.		DWN R. LEFFERTS 28 JAN 2016	TE Connectivity	
DIMENSIONS: mm [INCHES]		CHK D. WHITACRE 28 JAN 2016		
TOLERANCES UNLESS OTHERWISE SPECIFIED:		APVD D. MEYER 28 JAN 2016	NAME PLUG 32-PIN (MEDIUM) STRIKE SERIES	
 0 PLC ± 1 PLC ± 2 PLC ± 3 PLC ± 4 PLC ± ANGLES ± FINISH ±		PRODUCT SPEC	SIZE A2	
MATERIAL 		APPLICATION SPEC 0425-015-0000	CAGE CODE	DRAWING NO SRK06-MDX-32A-001
		WEIGHT 97.9g	RESTRICTED TO	
		CUSTOMER DRAWING	SCALE 1:1	SHEET 2 OF 2
			REV A1	