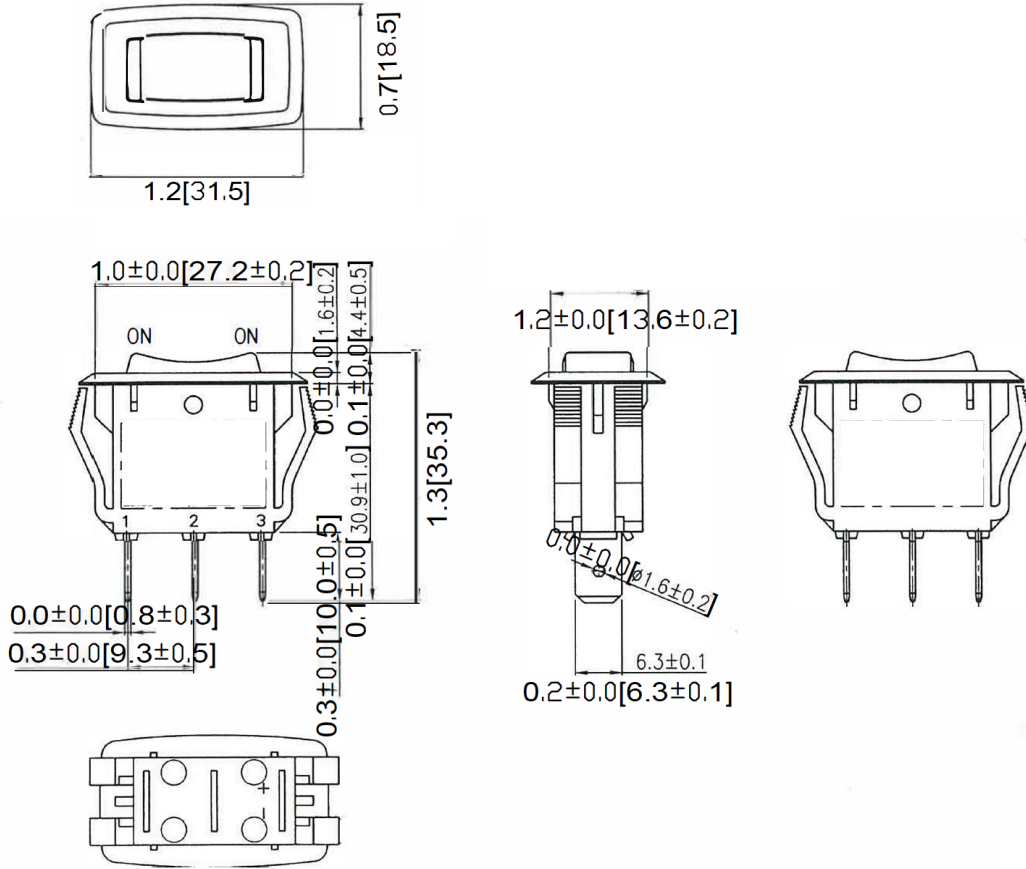
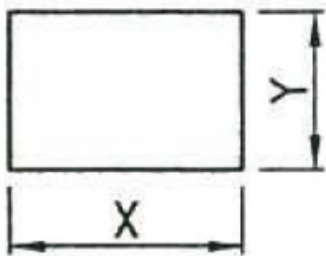


**Mechanical Dimensions: Inches [mm]**

Tolerances  $\pm 0.012$  [0.3] Unless Otherwise Specified



**Mounting Hole**



Thickness: 0.0~0.1 [0.75~5.0] max

**Circuit Diagram**

3P SPDT ON-ON



**Electrical Specifications**

Rating	16A 12VDC, 10A 28VDC, 6A 14VT
Contact Resistance	50m ohm Max
Insulation Resistance	DC 500V 100M ohm Min
Dielectric Strength	AC 1500V 1 minute
Operation Temperature	-25°C ~ 85°C

**Material Specifications**

Frame	Black, Nylon 66
Terminals	Silver plated, Copper alloy
Actuator	Black, Nylon 66

Rev	Date of issue	Revision Notes	Designed	Approved
A	10-17-2019	Initial Drawing	RC	OF