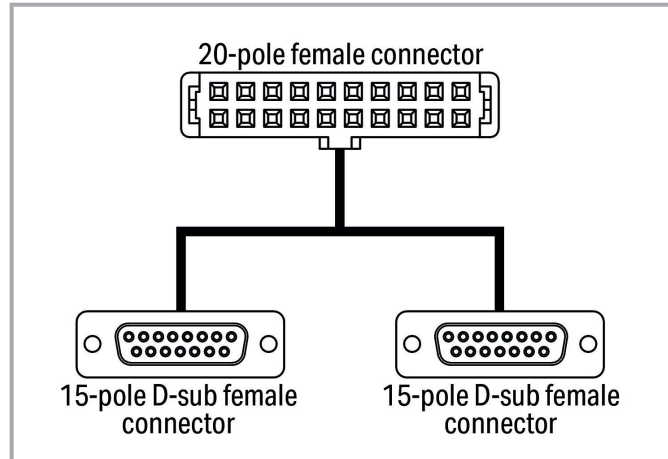
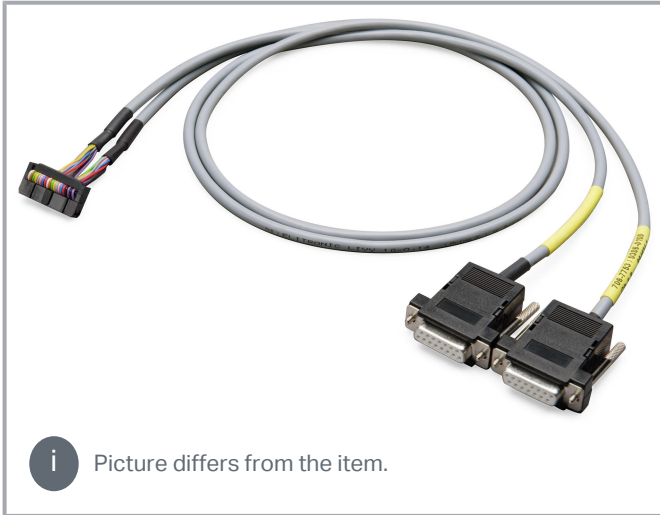


Data sheet | Item number: 706-7753/306-200

System cable; for WAGO-I/O-SYSTEM, 750 Series; 2x 8 digital inputs or outputs; Length: 2 m; Conductor cross-section: 0.14 mm²



www.wago.com/706-7753/306-200



Subject to changes. Please also observe the further product documentation!

WAGO GmbH & Co. KG
Hansastr. 27
32423 Minden
Phone: +49571 887-0 | Fax: +49571 887-169
Email: info.de@wago.com | Web: www.wago.com

Do you have any questions about our products?
We are always happy to take your call at +49 (571) 887-44222.



Color coding acc. to DIN VDE 47100 Cable 1; Channel 1-8		15 poles female Sub-D connector		20 poles flat connector	
		Pin number	Wiring	Pin number	Signal
White		1	CH1	1	CH1
Brown		2	CH2	2	CH2
Green		3	CH3	3	CH3
Yellow		4	CH4	4	CH4
Grey		5	CH5	5	CH5
Pink		6	CH6	6	CH6
Blue		7	CH7	7	CH7
Red		8	CH8	8	CH8
Black		9	+24V	17	+24V
Violet		10	0V	18	0V

Color coding acc. to DIN VDE 47100 Cable 2; Channel 9-16		15 poles female Sub-D connector		20 poles flat connector	
		Pin number	Wiring	Pin number	Signal
White		1	CH1	9	CH9
Brown		2	CH2	10	CH10
Green		3	CH3	11	CH11
Yellow		4	CH4	12	CH12
Grey		5	CH5	13	CH13
Pink		6	CH6	14	CH14
Blue		7	CH7	15	CH15
Red		8	CH8	16	CH16
Black		9	+24V	19	+24V
Violet		10	0V	20	0V

Item description

Short description:

WAGO's Interface Cables provide fast and easy connection of WAGO I/O Modules equipped with a 20-pole connector. The following WAGO I/O Modules and **Interface Adapters** are compatible:

750-1500 (16 DO) --> 857-986 (DO)

The cables are available in 1-, 2- and 3-meter lengths; each has one 20-pole or two 15-pole pluggable connectors at both ends.

They are suitable for system wiring when paired with the 857-986 Interface Adapter.

Subject to changes. Please also observe the further product documentation!

WAGO GmbH & Co. KG
 Hansastr. 27
 32423 Minden
 Phone: +49571 887-0 | Fax: +49571 887-169
 Email: info.de@wago.com | Web: www.wago.com

Do you have any questions about our products?
 We are always happy to take your call at +49 (571) 887-44222.



Data Notes

Note	When using more than 10 wires, the maximum current per wire must be reduced to 0.7 A.
------	---

Electrical data

Inputs/outputs	2 x 8 digital inputs or outputs
Operating voltage	≤ AC/DC 35 V
Current per wire (max.)	1 A

Connection data

Cable type	LiYY
Color code	per DIN VDE 47100

Connection 1

Connector	Pluggable connector per DIN 41651; female connector
Pole number 1	20
Connection type 1	System
Wire cross-section	0.14 mm ²

Connection 2

Connector 2	D-sub female connector
Pole number 2	15
Connection type 2	System

Connection 3

Connector 3	D-sub female connector
Pole number 3	15
Connection type 3	System

Physical data

Cable length	2 m
--------------	-----

Subject to changes. Please also observe the further product documentation!



Material Data

Weight	10 g
--------	------

Environmental requirements

Ambient temperature (operation)	-20 ... +50 °C
---------------------------------	----------------

Commercial data

Product Group	30 (WAGO France)
eCl@ss 10.0	27-06-03-11
eCl@ss 9.0	27-06-03-11
ETIM 8.0	EC000237
ETIM 7.0	EC000237
PU (SPU)	1 pcs
Packaging type	box
Country of origin	FR
GTIN	4050821052951
Customs tariff number	85444290900

Environmental Product Compliance

RoHS Compliance Status	Compliant, No Exemption
------------------------	-------------------------

Optional accessories

Interface module

Interface adapters

	Item no.: 857-986 Interface adapter; 15-pole; High-side switching input	www.wago.com/857-986
---	---	--

Downloads

Documentation

Bid Text

706-7753/306-200 X81 - Datei	2019 Feb 19	xml 3.7 kB	Download
706-7753/306-200 docx - Datei	2018 Nov 26	docx 15.6 kB	Download

Subject to changes. Please also observe the further product documentation!

WAGO GmbH & Co. KG
Hansastr. 27
32423 Minden
Phone: +49571 887-0 | Fax: +49571 887-169
Email: info.de@wago.com | Web: www.wago.com

Do you have any questions about our products?
We are always happy to take your call at +49 (571) 887-44222.



Additional Information

Disposal and Recycling	V 1.1.0	pdf	Download
Electrical and electronic equipment, Batteries, Packaging	2022 Aug 18	2.2 MB	

System Description

WAGO System Wiring, Selection Guide		pdf	Download
This guide will help you select the appropriate interface modules and system cables for the controller you are using.		545.9 kB	

CAD/CAE-Data

CAE data

WSCAD Universe 706-7753/306-200		URL	Download
WSCAD Universe 706-7753/306-200		URL	Download

Environmental Product Compliance

Compliance Search

Environmental Product Compliance 706-7753/306-200		URL	Download
System cable; for WAGO-I/O-SYSTEM, 750 Series; 2x 8 digital inputs or outputs; Length: 2 m; Conductor cross-section: 0.14 mm ²			

Installation Notes

Subject to changes. Please also observe the further product documentation!