

THIS DRAWING IS UNPUBLISHED.

RELEASED FOR PUBLICATION

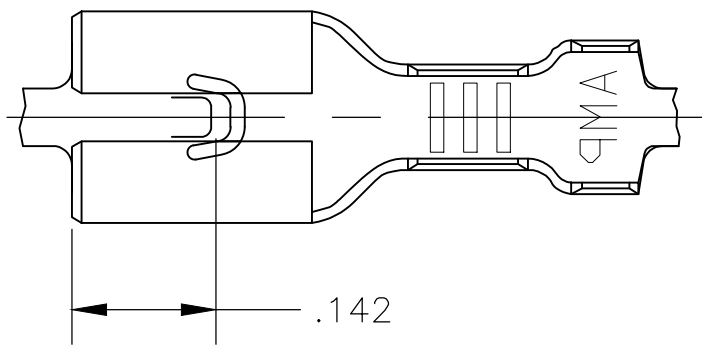
ALL RIGHTS RESERVED.

© COPYRIGHT - By -

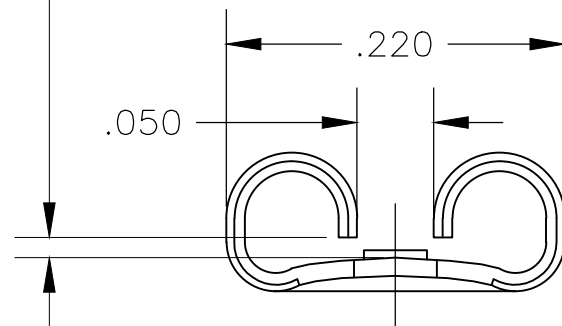
LOC AF DIST 50

REVISIONS

P	LTR	DESCRIPTION	DATE	DWN	APVD
	C2	REVISED PER ECR-20-009164	20JUL2020	MK	DH

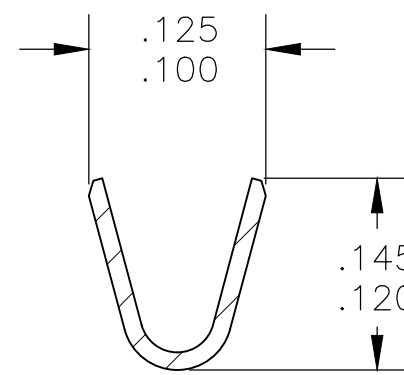
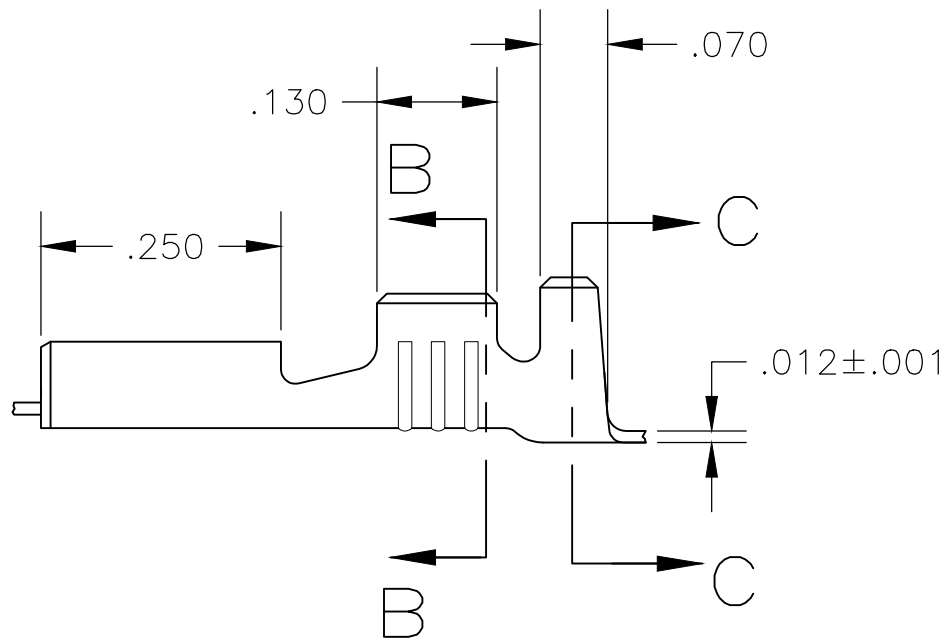
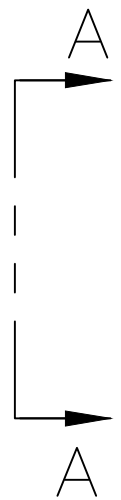


GAP AS REQUIRED TO MEET FORCE SPECIFICATIONS AND .018 MAX

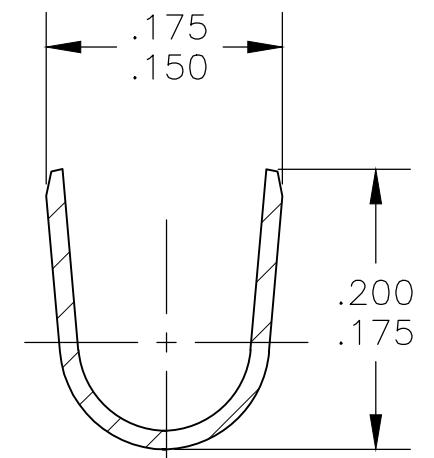


VIEW A-A SCALE 8:1

- 1 CONTINUOUS STRIP ON REELS.
- 2 MATING TAB THK TO BE .021-.019
- 3 WIRE SIZE IS #20-#16 AWG.
- 4 INSULATION RANGE IS .090-.130




SECTION B-B SCALE 8:1



SECTION C-C SCALE 8:1

63970-1

PART NO.

THIS DRAWING IS A CONTROLLED DOCUMENT.		DWN JR RUTH 6/10/97	 <b>TE Connectivity</b>														
DIMENSIONS: INCHES		CHK MS FEHER 6/10/97															
TOLERANCES UNLESS OTHERWISE SPECIFIED: .010		APVD D BRATINA 6/10/97	NAME														
<table border="0"> <tr> <td>6 PLC</td> <td>± -</td> </tr> <tr> <td>1 PLC</td> <td>± -</td> </tr> <tr> <td>2 PLC</td> <td>± -</td> </tr> <tr> <td>3 PLC</td> <td>± -</td> </tr> <tr> <td>4 PLC</td> <td>± -</td> </tr> <tr> <td>ANGLES</td> <td>± -</td> </tr> </table>		6 PLC	± -	1 PLC	± -	2 PLC	± -	3 PLC	± -	4 PLC	± -	ANGLES	± -	PRODUCT SPEC	RECEPTACLE, FASTON, LOW-INSERTION, .187 SERIES		
6 PLC	± -																
1 PLC	± -																
2 PLC	± -																
3 PLC	± -																
4 PLC	± -																
ANGLES	± -																
MATERIAL BRASS		FINISH -	APPLICATION SPEC	SIZE	CAGE CODE	DRAWING NO	RESTRICTED TO										
			114-2036	A3	00779	C-63970	-										
			CUSTOMER DRAWING	SCALE	SHEET	REV											
				5:1	1 OF 1	C2											