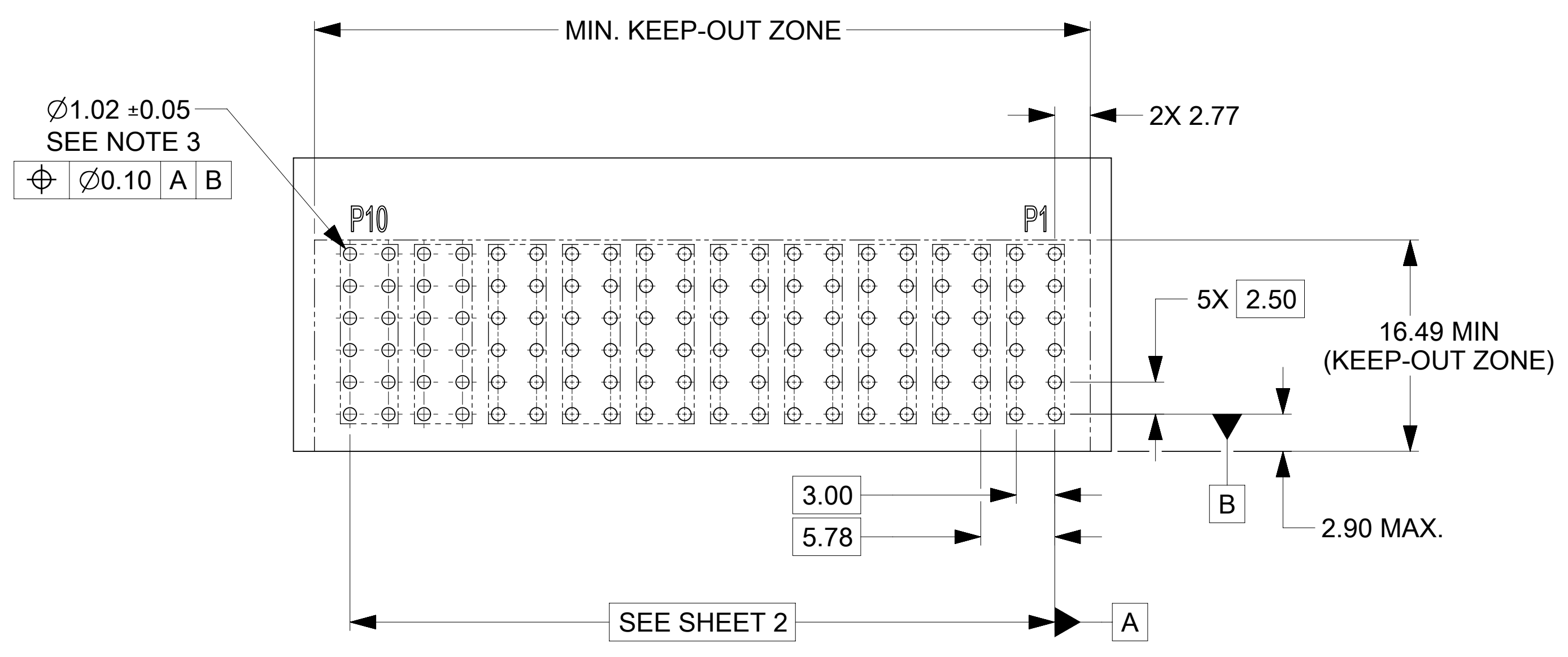


**PLUG MATED TO R/A RECEPTACLE
MATED PROFILE**

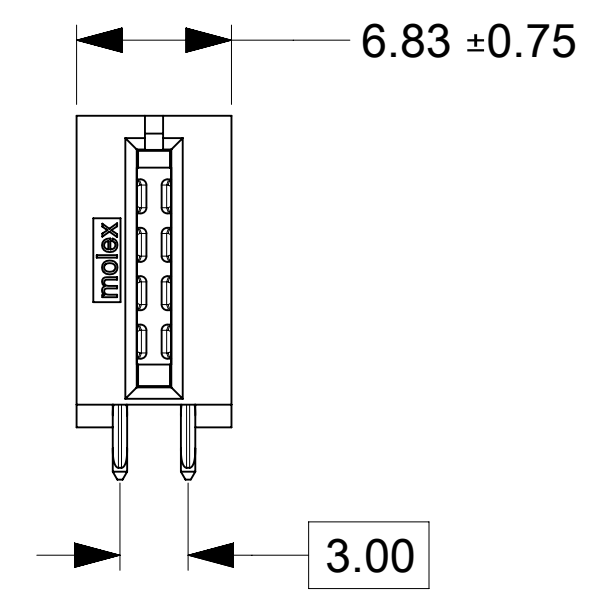


RECOMMENDED PCB LAYOUT AND KEEP-OUT ZONE

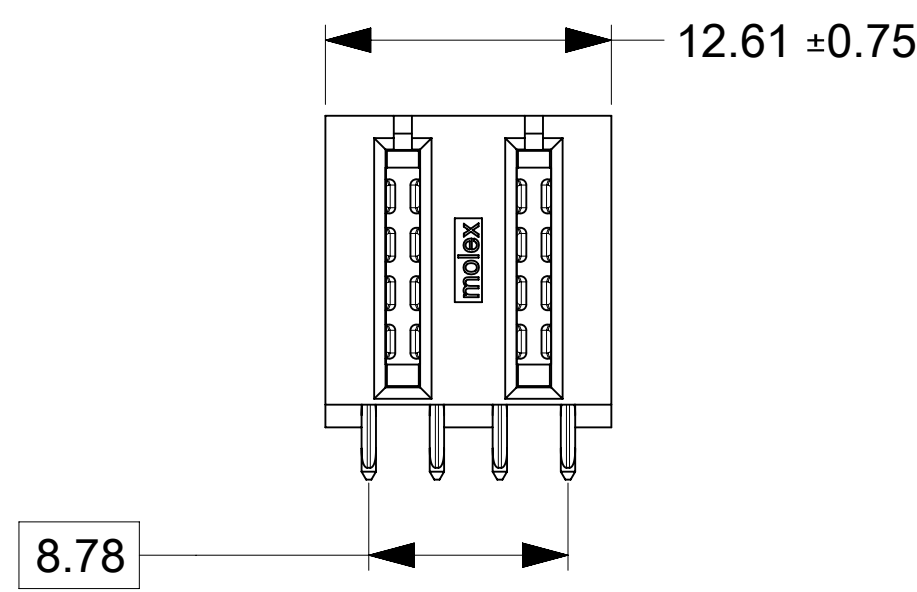
- NOTES:
- MATERIAL:
 - HOUSINGS: LCP UL94, V-0, COLOR : BLACK
 - TERMINALS: HIGH CONDUCTIVITY COPPER ALLOY
 - PLATING: 1.27 μm (50 μin) NICKEL OVERALL WITH 2.54 μm (100 μin) SELECTIVE TIN ON TAILS AND 0.762 μm (30 μin) SELECTIVE GOLD ON CONTACT AREA
 - PACKAGING: ASSEMBLIES TO BE TRAY PACKED PER PACKAGING SPEC: 2141150010-PK.
 - PLATED THRU HOLE SIZE, REFER TO PRODUCT SPEC. FOR DETAILS.
 - PRODUCT SPEC: 2141130000-PS.
 - PRODUCT TO MEET RoHS REQUIREMENTS.
 - VERTICAL ASSEMBLY MATES TO MOLEX PLUG 219562XXXX-SD, SEE DRAWING FOR DETAILS.
 - TAIL DESIGN: COMPLIANT.
 - POWER TERMINALS ARE LUBRICATED.
 - APPLICATION SPECIFICATION: 2141130000-AS (FOR COMPLIANT TAILS ONLY).

THIS DRAWING CONTAINS INFORMATION THAT IS PROPRIETARY TO MOLEX ELECTRONIC TECHNOLOGIES, LLC AND SHOULD NOT BE USED WITHOUT WRITTEN PERMISSION									
DIMENSION UNITS	SCALE	CURRENT REV DESC:							
mm	3:1								
GENERAL TOLERANCES (UNLESS SPECIFIED)									
ANGULAR TOL	± °								
4 PLACES	±	EC NO: 745288							
3 PLACES	±	DRWN: LZABJANOVSKI		2023/03/24					
2 PLACES	± 0.25	CHK'D: JAYK1		2023/04/10					
1 PLACE	± 0.3	APPR: JAYK1		2023/04/10					
0 PLACES	±	INITIAL REVISION:							
DRAFT WHERE APPLICABLE MUST REMAIN WITHIN DIMENSIONS		DRWN: LZABJANOVSKI		2022/04/01		MATERIAL NUMBER		CUSTOMER	
		APPR: BPISZCZOR		2022/08/04		2195649003-SD		SEE CHART	
		THIRD ANGLE PROJECTION		DRAWING		SERIES		SHEET NUMBER	
		D-SIZE		219564		PSD 000 A3		1 OF 2	

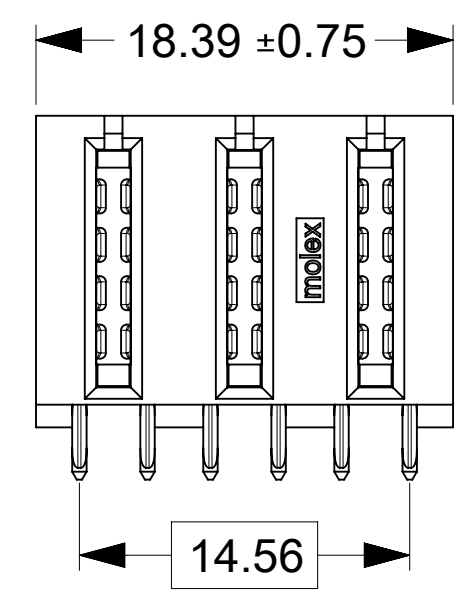
PART NUMBER	CONFIGURATION	QUANTITY PER CARTON (DU)
219564-0031	1P	585



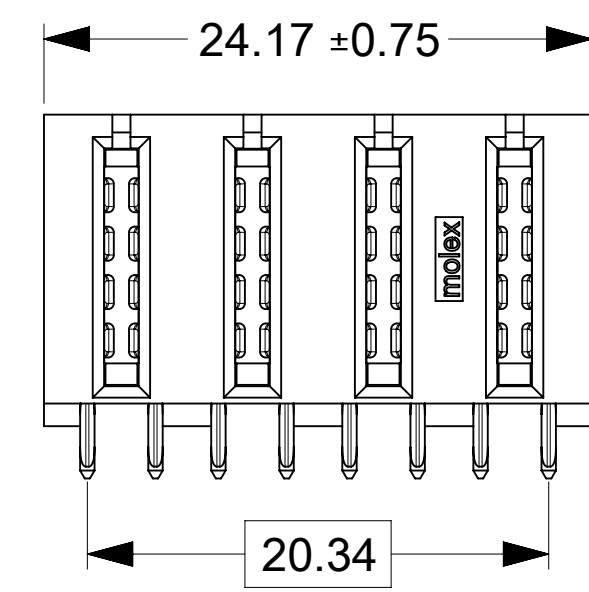
PART NUMBER	CONFIGURATION	QUANTITY PER CARTON (DU)
219564-0032	2P	315



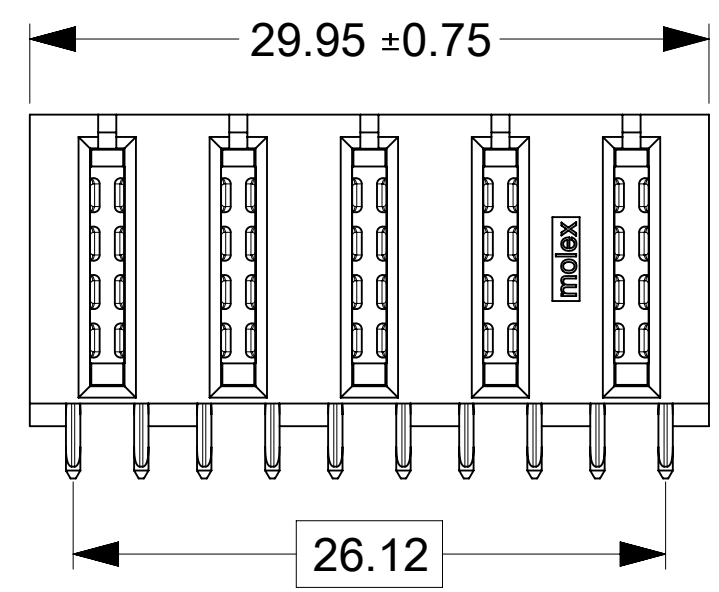
PART NUMBER	CONFIGURATION	QUANTITY PER CARTON (DU)
219564-0033	3P	210



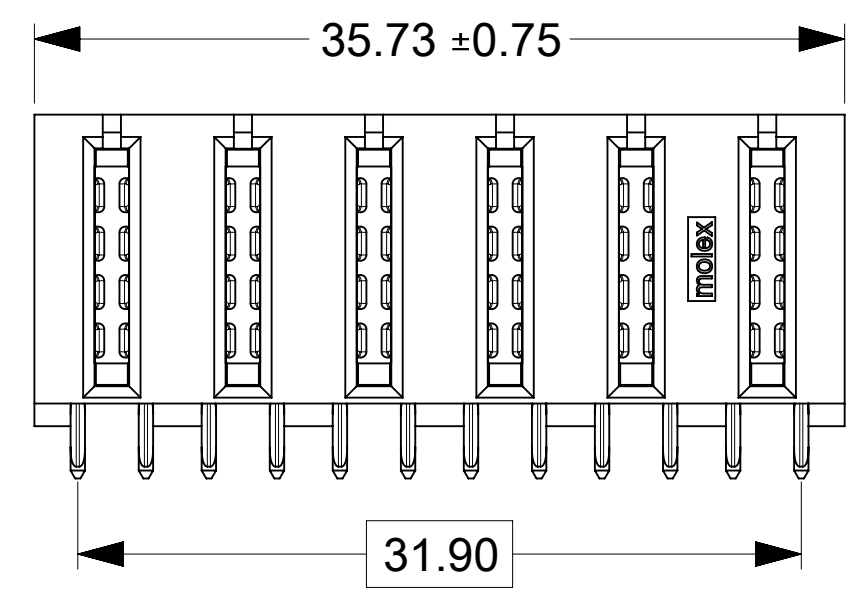
PART NUMBER	CONFIGURATION	QUANTITY PER CARTON (DU)
219564-0034	4P	165



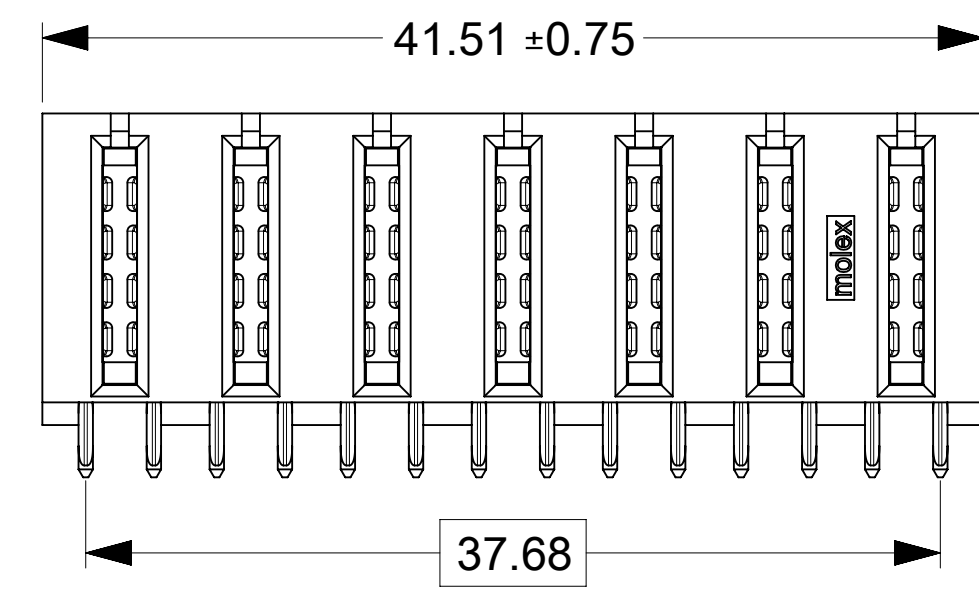
PART NUMBER	CONFIGURATION	QUANTITY PER CARTON (DU)
219564-0035	5P	120



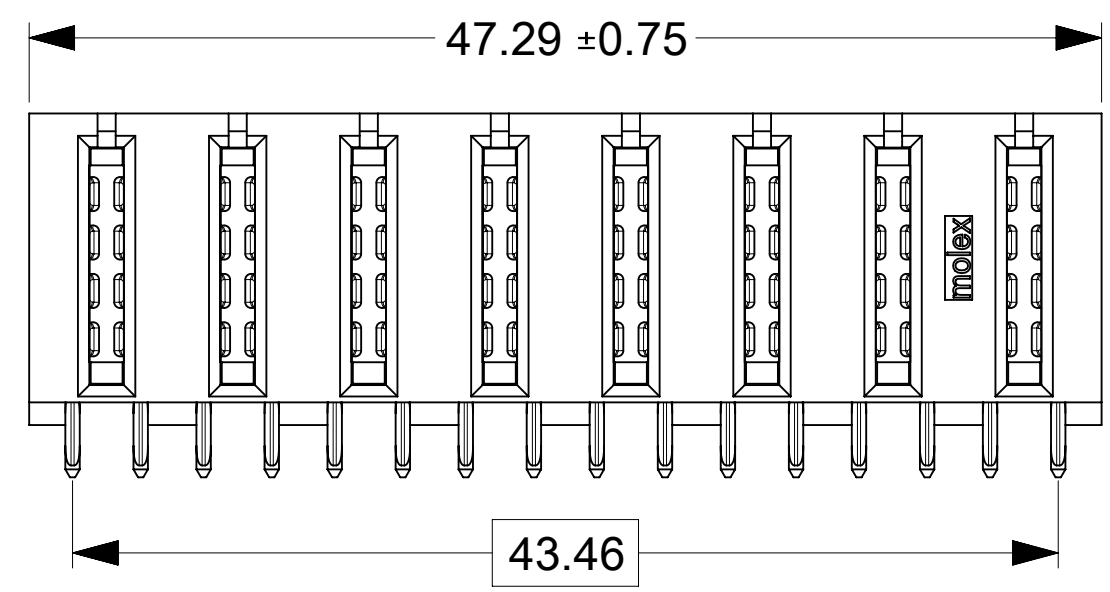
PART NUMBER	CONFIGURATION	QUANTITY PER CARTON (DU)
219564-0036	6P	105



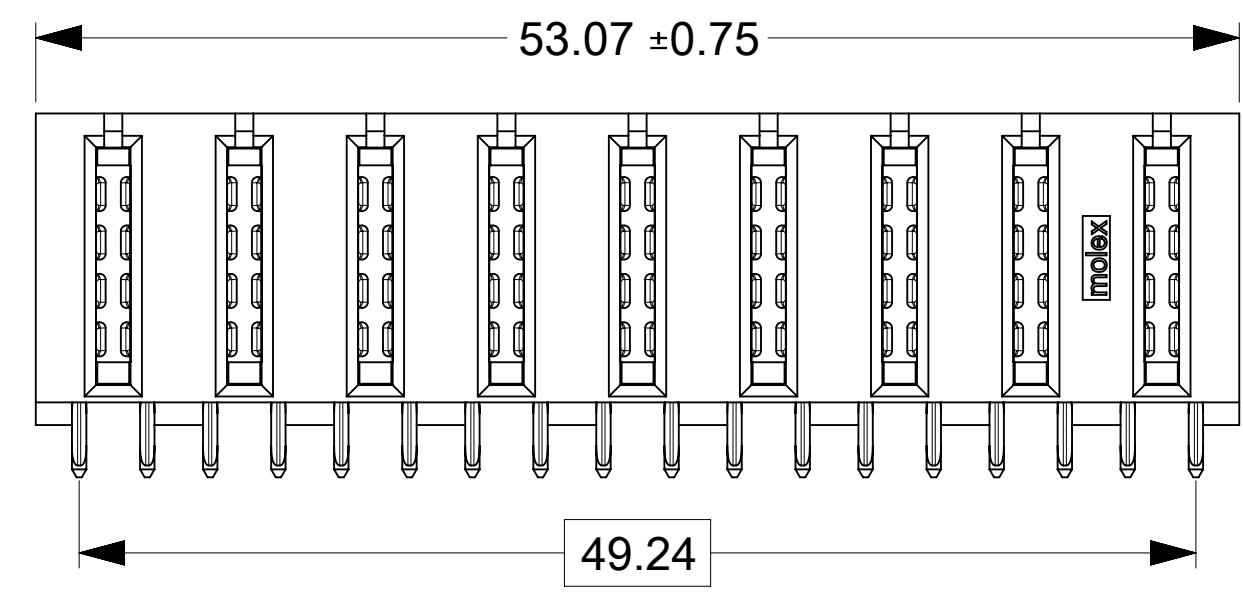
PART NUMBER	CONFIGURATION	QUANTITY PER CARTON (DU)
219564-0037	7P	90



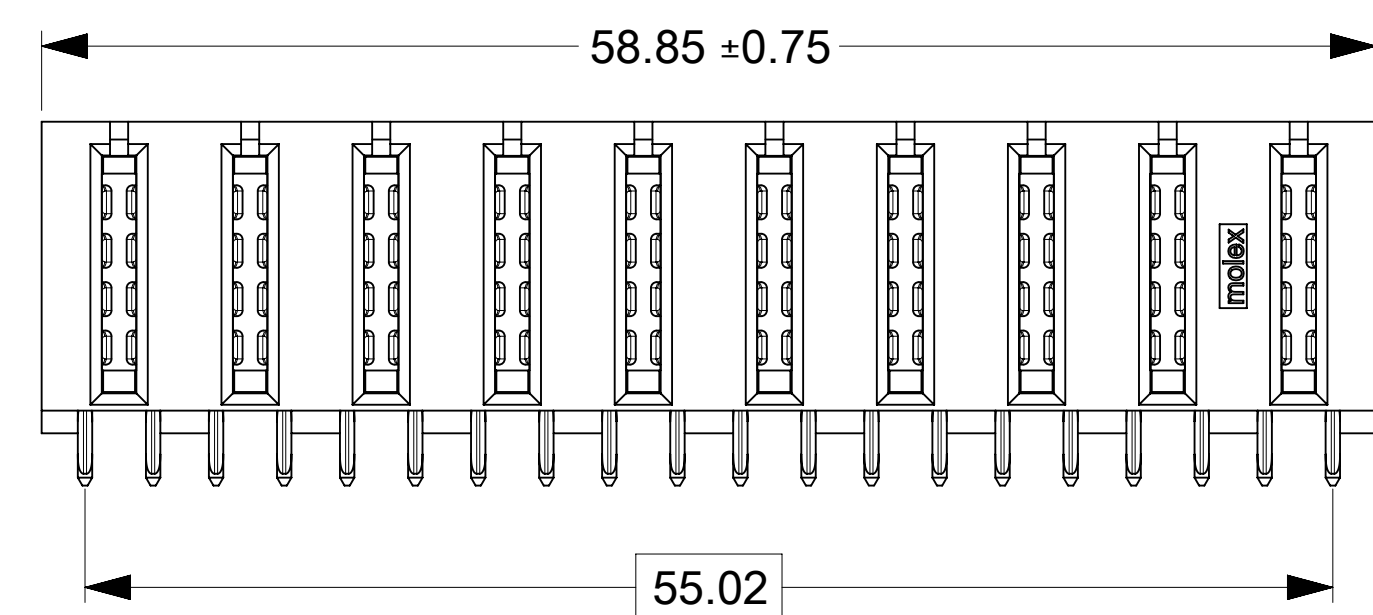
PART NUMBER	CONFIGURATION	QUANTITY PER CARTON (DU)
219564-0038	8P	75



PART NUMBER	CONFIGURATION	QUANTITY PER CARTON (DU)
219564-0039	9P	75



PART NUMBER	CONFIGURATION	QUANTITY PER CARTON (DU)
219564-0040	10P	60



THIS DRAWING CONTAINS INFORMATION THAT IS PROPRIETARY TO MOLEX ELECTRONIC TECHNOLOGIES, LLC AND SHOULD NOT BE USED WITHOUT WRITTEN PERMISSION

DIMENSION UNITS	SCALE	CURRENT REV DESC:
mm	3:1	
GENERAL TOLERANCES (UNLESS SPECIFIED)		
ANGULAR TOL	±	°
4 PLACES	±	
3 PLACES	±	
2 PLACES	±	0.25
1 PLACE	±	0.3
0 PLACES	±	
DRAFT WHERE APPLICABLE MUST REMAIN WITHIN DIMENSIONS		
THIRD ANGLE PROJECTION	DRAWING	SERIES
	D-SIZE	219564
EC NO: 745288		DRWN: LZABJANOVSKI 2023/03/24
CHK'D: JAYK1 2023/04/10		APPR: JAYK1 2023/04/10
INITIAL REVISION:		DRWN: LZABJANOVSKI 2022/04/01
APPR: BPISZCZOR 2022/08/04		
DOCUMENT NUMBER	DOC TYPE	DOC PART
2195649003-SD	PSD	000
REVISION	A3	
MATERIAL NUMBER	CUSTOMER	SHEET NUMBER
SEE CHART		2 OF 2